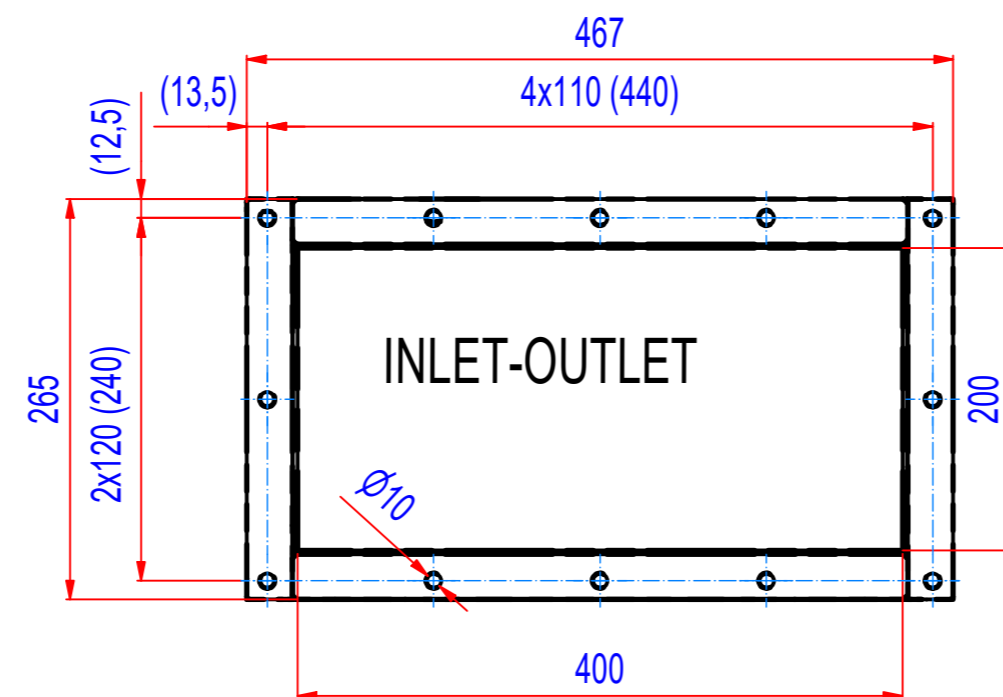
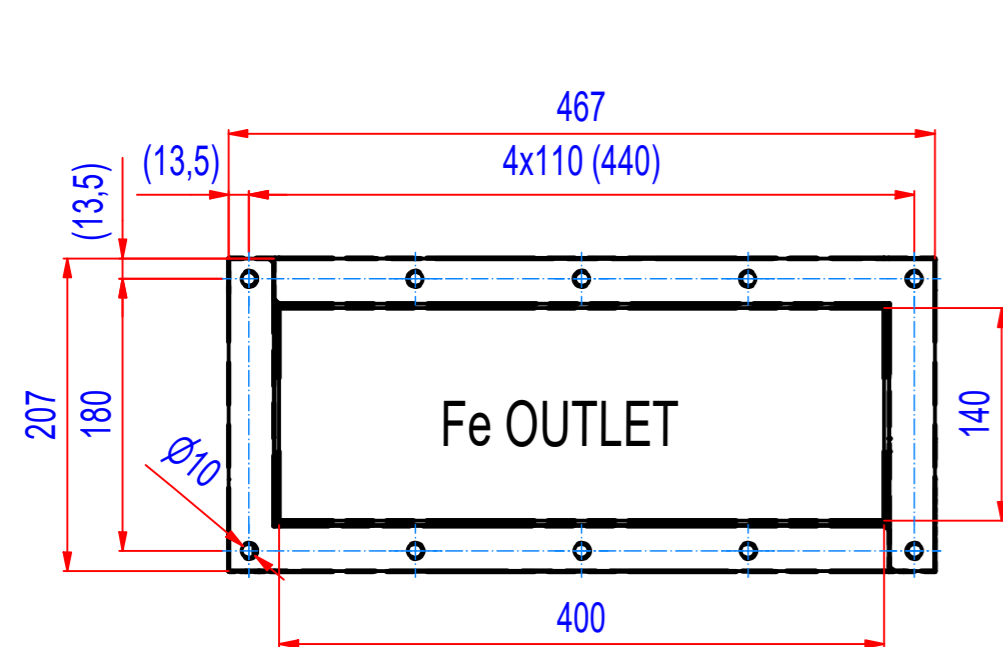
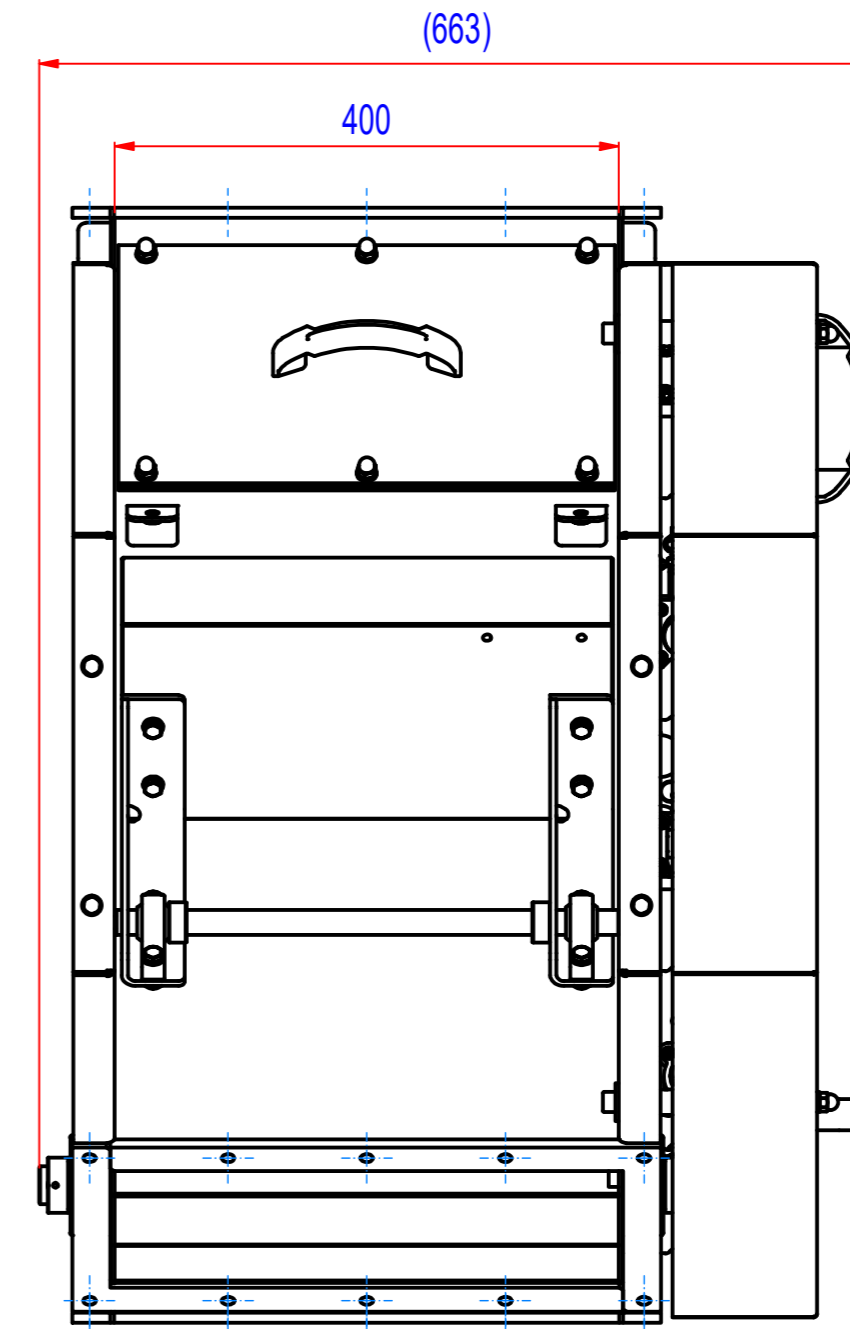
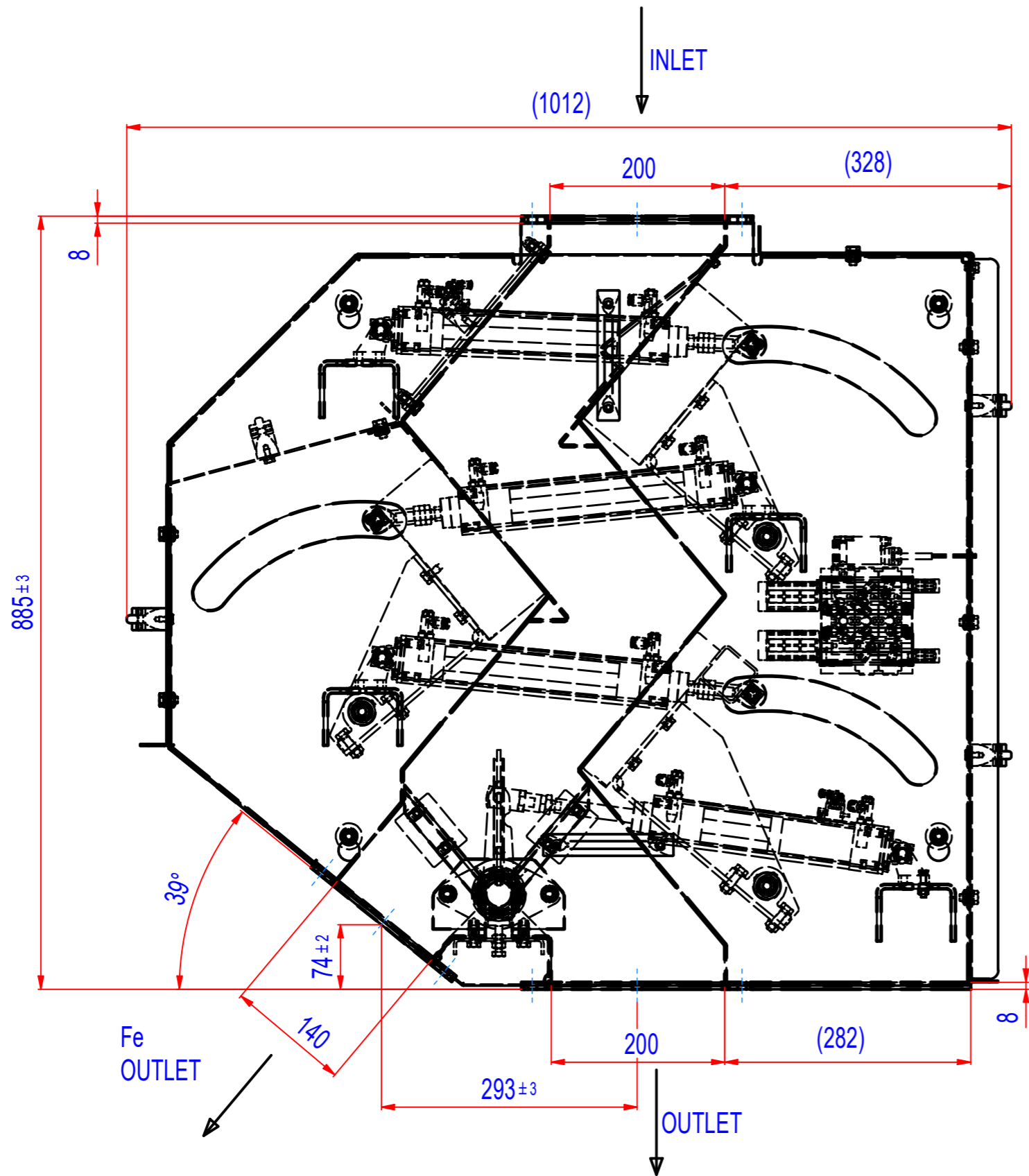
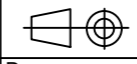


REV	DATE	BY	DESCRIPTION
-	12.09.2018	EN	NEW VALUT-REF: 693_000000_G
A	08.01.2021	EN	Larger inspection hatch
B	30.08.2021	EN	Divided wedge plate



1	A580_000000	SRKP040035	199,1
POZ./POS.	Č. SOUČÁSTI/ PART NUMBER	POPIS / DESCRIPTION	HMOT./ WEIGHT
Date:	Order ref.:	Responsible person:	
 Sheet: A2 Drawn: EN Weight (kg): 199,1 Date: 30.8.2021 Predecessor: SRKP080035w Quick search:	Extra info:	General tolerance: ISO 2768 - cL Drawn according: ISO268; ISO1101; ISO2553 Status:	
Description: Cascade magnet pneumatic, 3 steps, W400		Customer reference number: Product key: SEK-P-0400-3-FN-DC-Ex Part number: SRKP040035 Rev: B	
		© All rights reserved. Reproduction is not permitted without written permission of GOUDSMIT Magnetic Systems BV GOUDSMIT MAGNETICS	