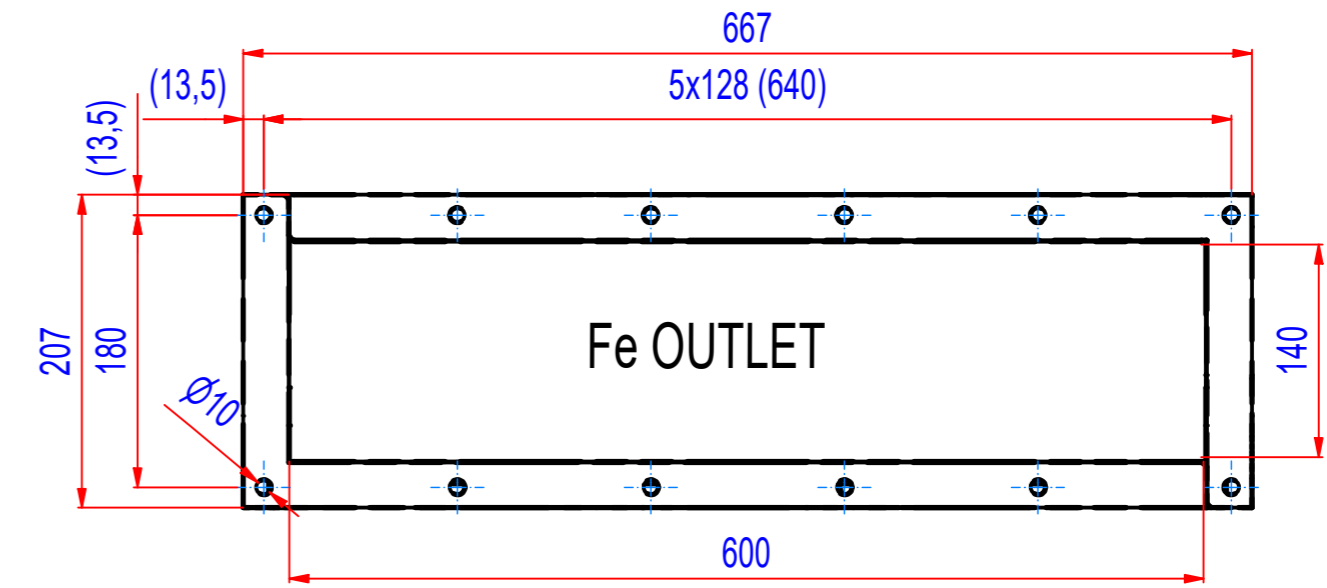
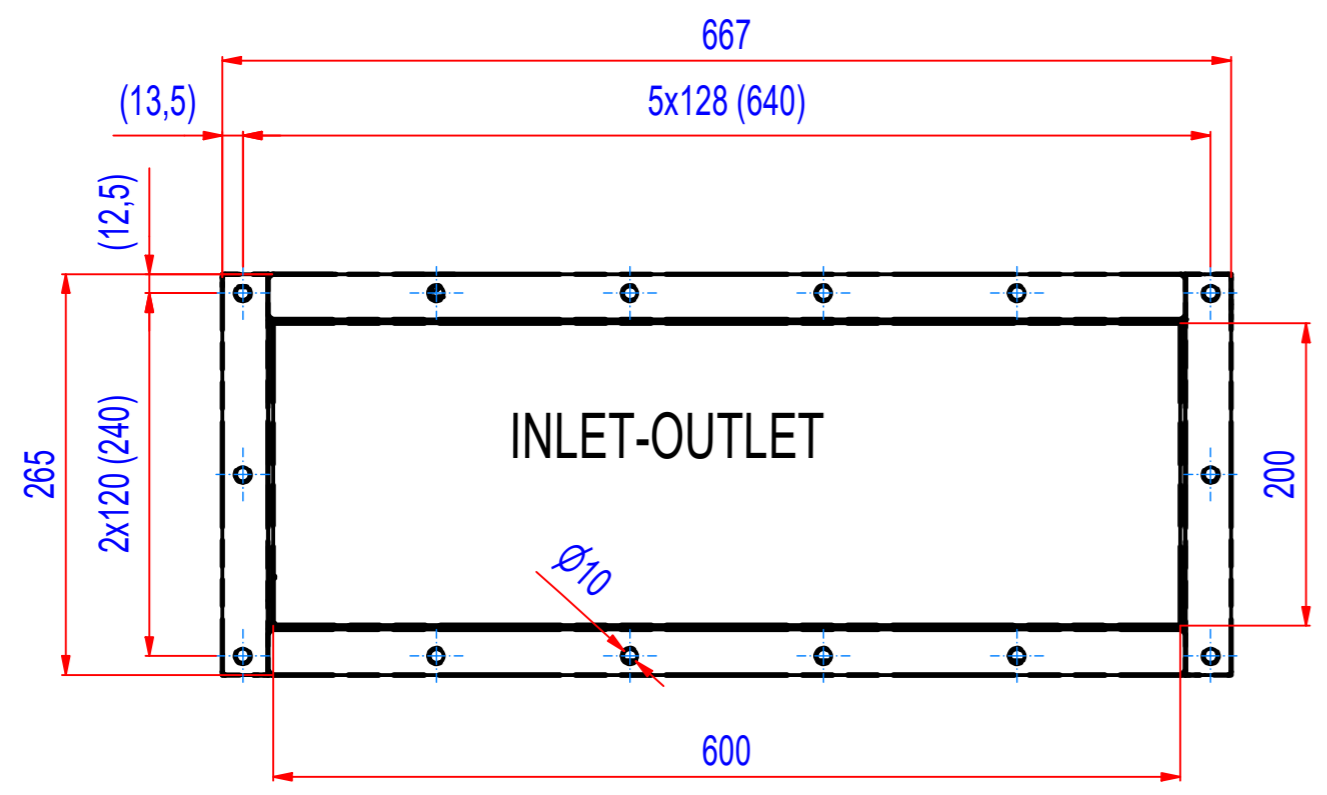
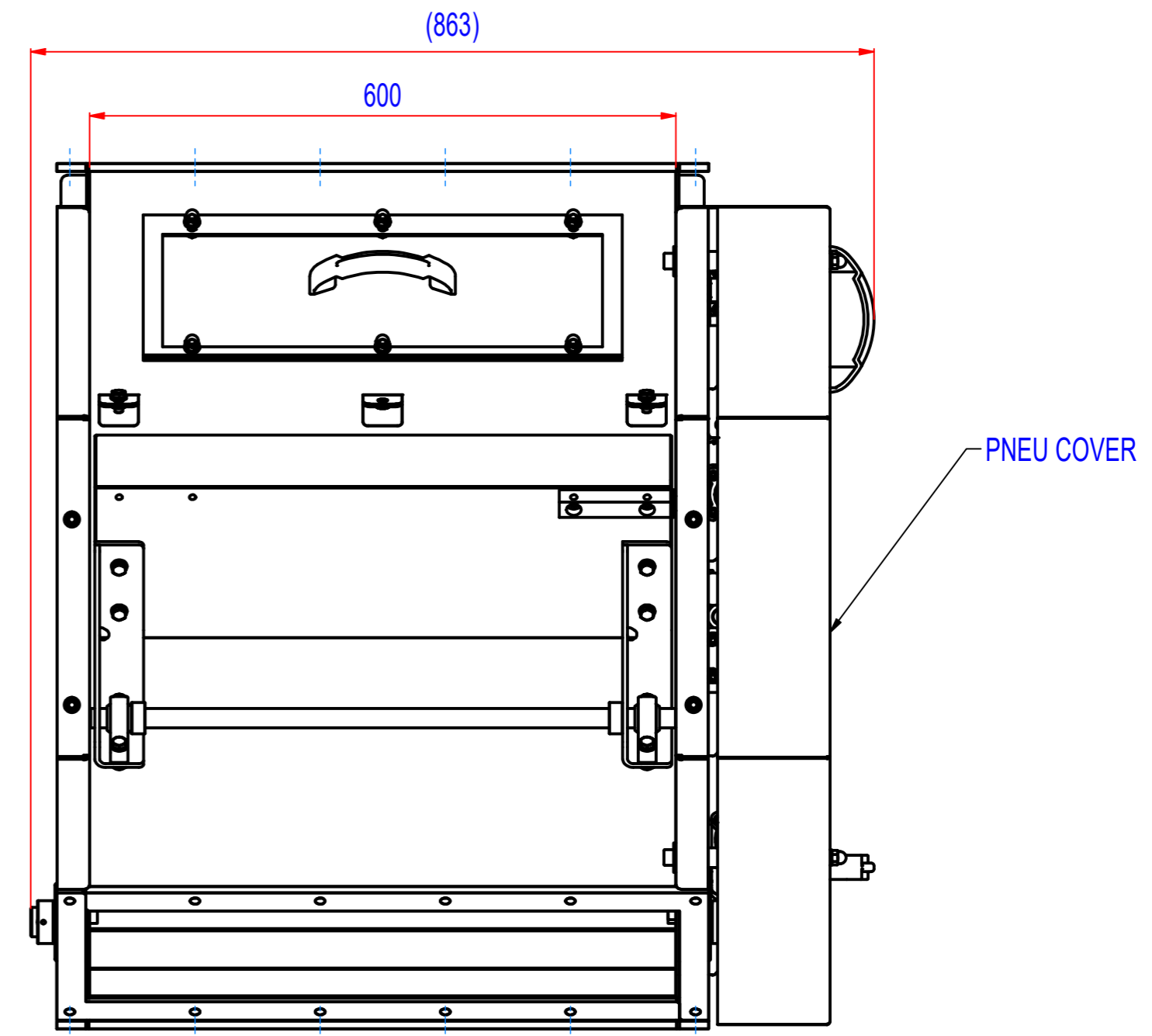
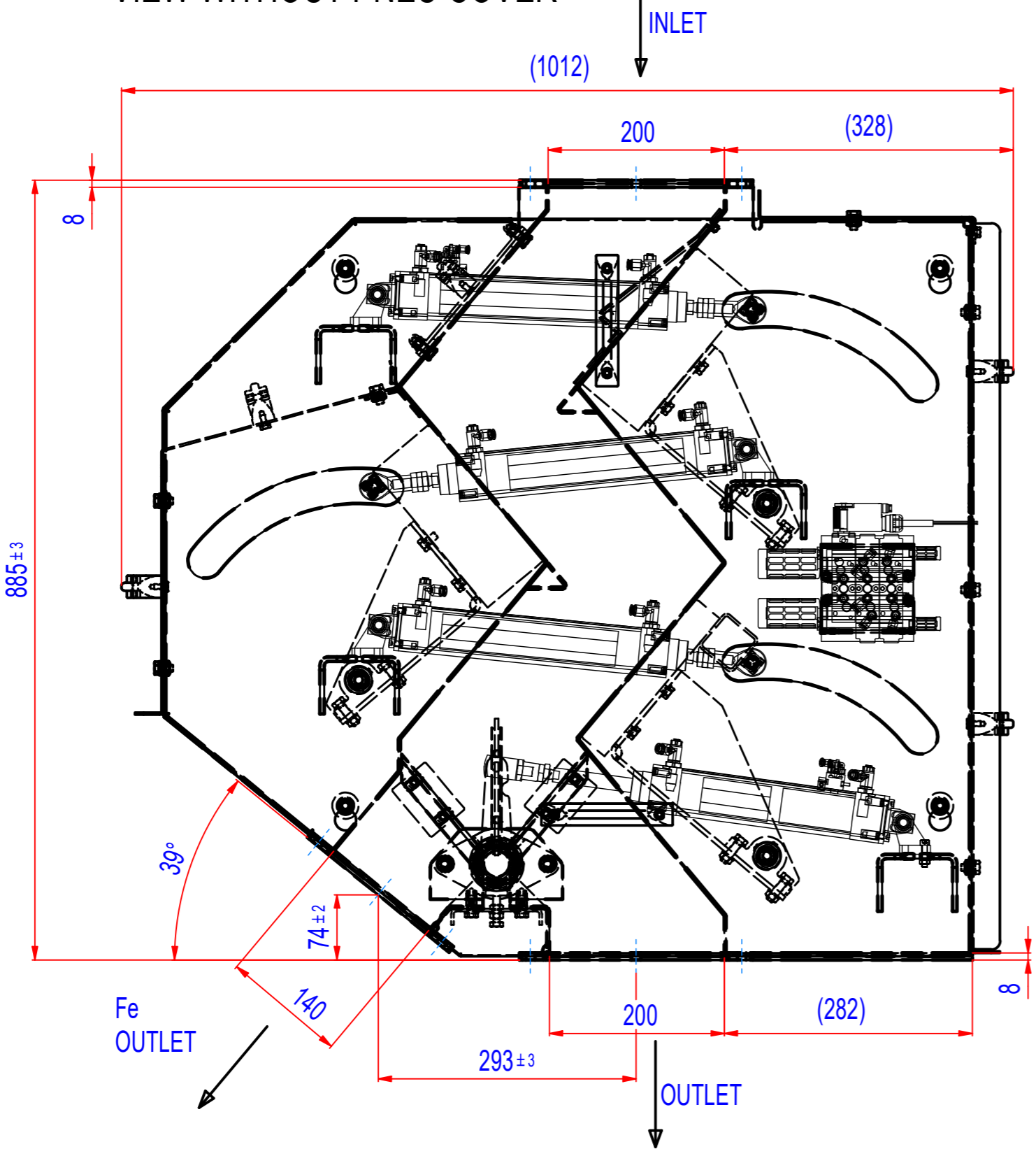


REV	DATE	BY	DESCRIPTION
-	13.11.2019	EN	NEW VALUT-REF: 622_000000_D
A	04.08.2021	EN	Inspection hole increased, divided wear plate

VIEW WITHOUT PNEU COVER



1	A664_000000	SRKP060035	255,7
POZ./POS.	Č. SOUČÁSTI/ PART NUMBER	POPIS / DESCRIPTION	HMOT./ WEIGHT
Date:	Order ref.:	Responsible person:	
Sheet: A2 Drawn: EN Weight (kg): 255,7 Date: 4.8.2021 Predecessor: SRKP080035w Quick search:	Extra info:	General tolerance: ISO 2768 - cL Drawn according: ISO268; ISO1101; ISO2553 Status:	
		Customer reference number:	
Description: Cascade magnet pneumatic, 3 steps, W600		Product key: SEK-P-0600-3-FN-DC-Ex Part number: SRKP060035 Rev: A	