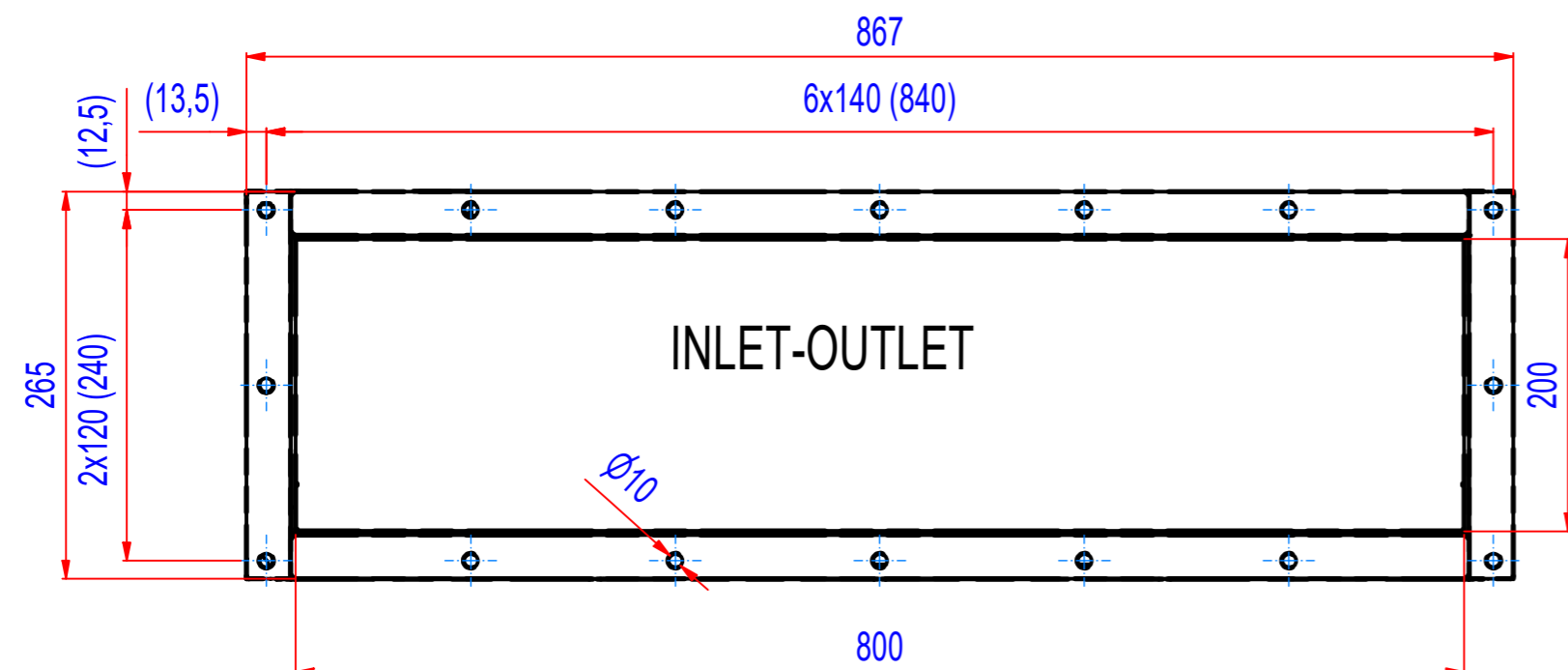
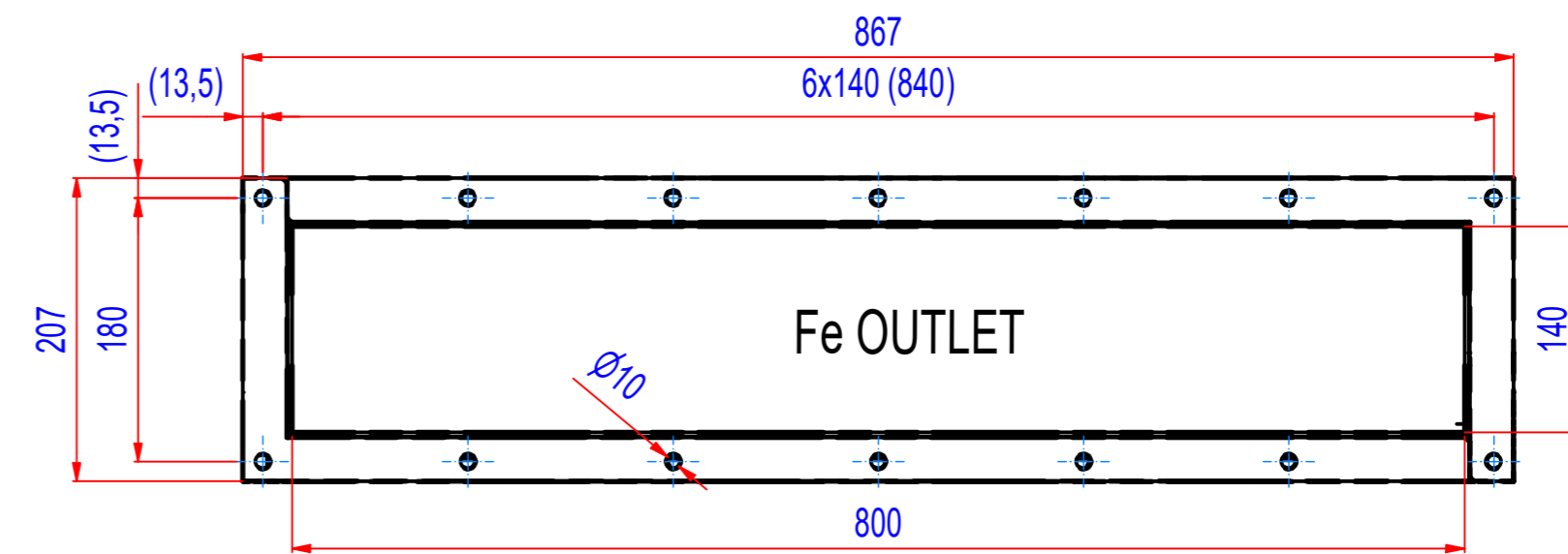
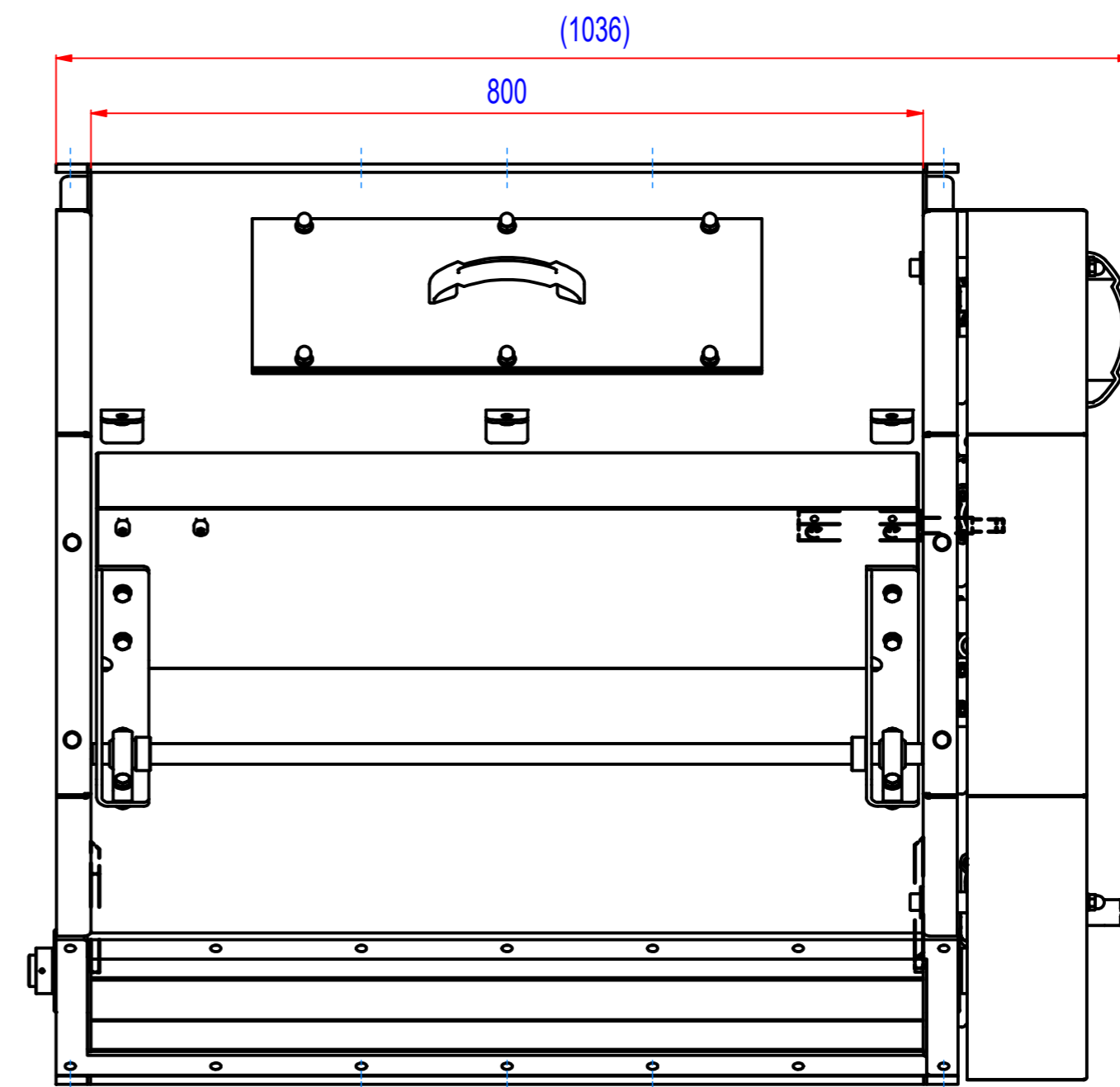
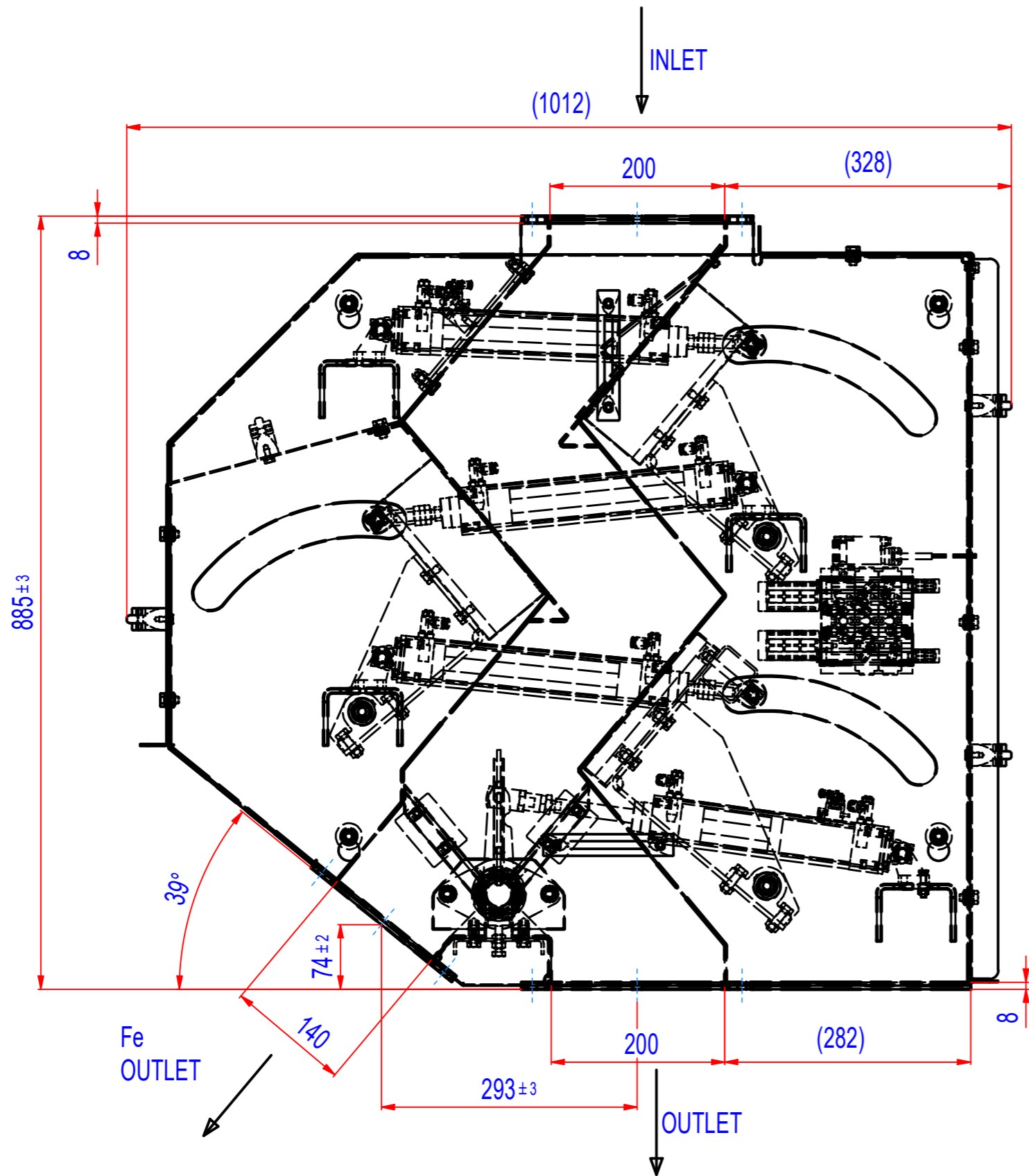


REV	DATE	BY	DESCRIPTION
-	18.04.2017	PH	NEW VALUT-REF: 461_000000_J
A	06.10.2021	EN	Inspection hole increased, divided wear plate
A	15.02.2023	EN	Product key fixed



1	A128_000000	SRKP080035	315,6
POZ./POS.	Č. SOUČÁSTI/ PART NUMBER	POPIS / DESCRIPTION	HMOT./ WEIGHT
Date:	Order ref.:	Responsible person:	
Drawn: EN	Weight (kg): 315,6	Extra info:	General tolerance: ISO 2768 - cL
Date: 15.2.2023	Predecessor: SRKP080035w		Drawn according: ISO268; ISO1101; ISO2553
Quick search:	Description: Cascade magnet pneumatic, 3 steps, W800		Status:
		© All rights reserved. Reproduction is not permitted without written permission of GOUDSMIT Magnetic Systems BV	Customer reference number:
			Product key: SEK-P-0800-3-FN-DC-Ex
			Part number: SRKP080035
			Rev: A