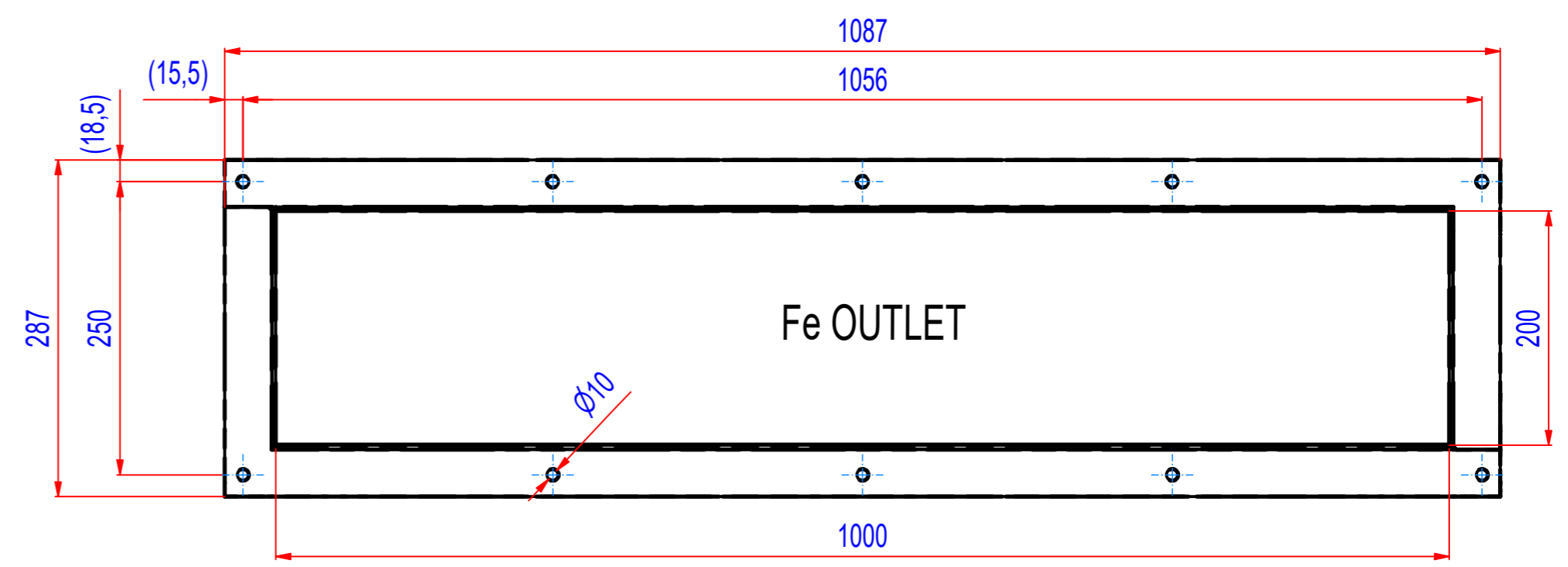
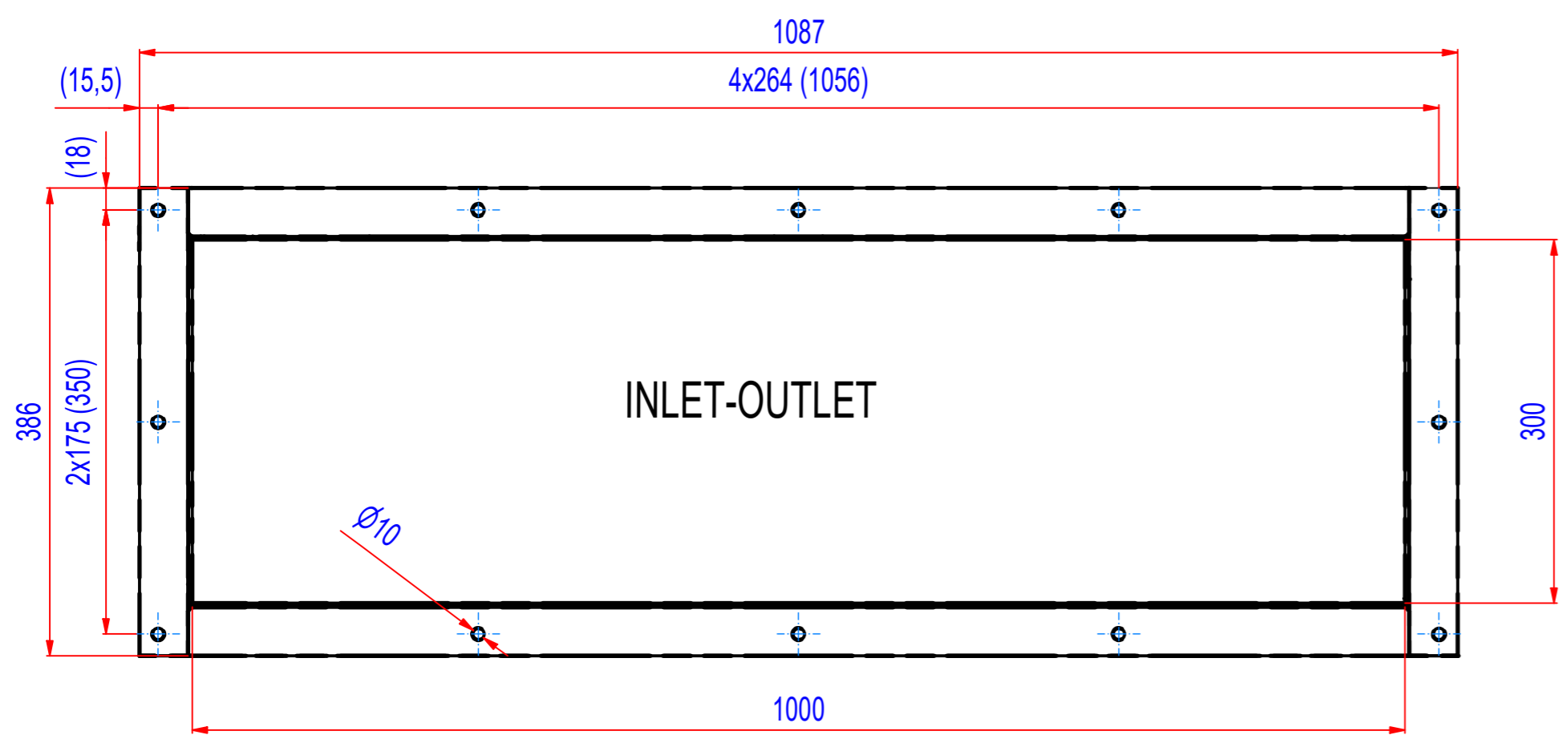
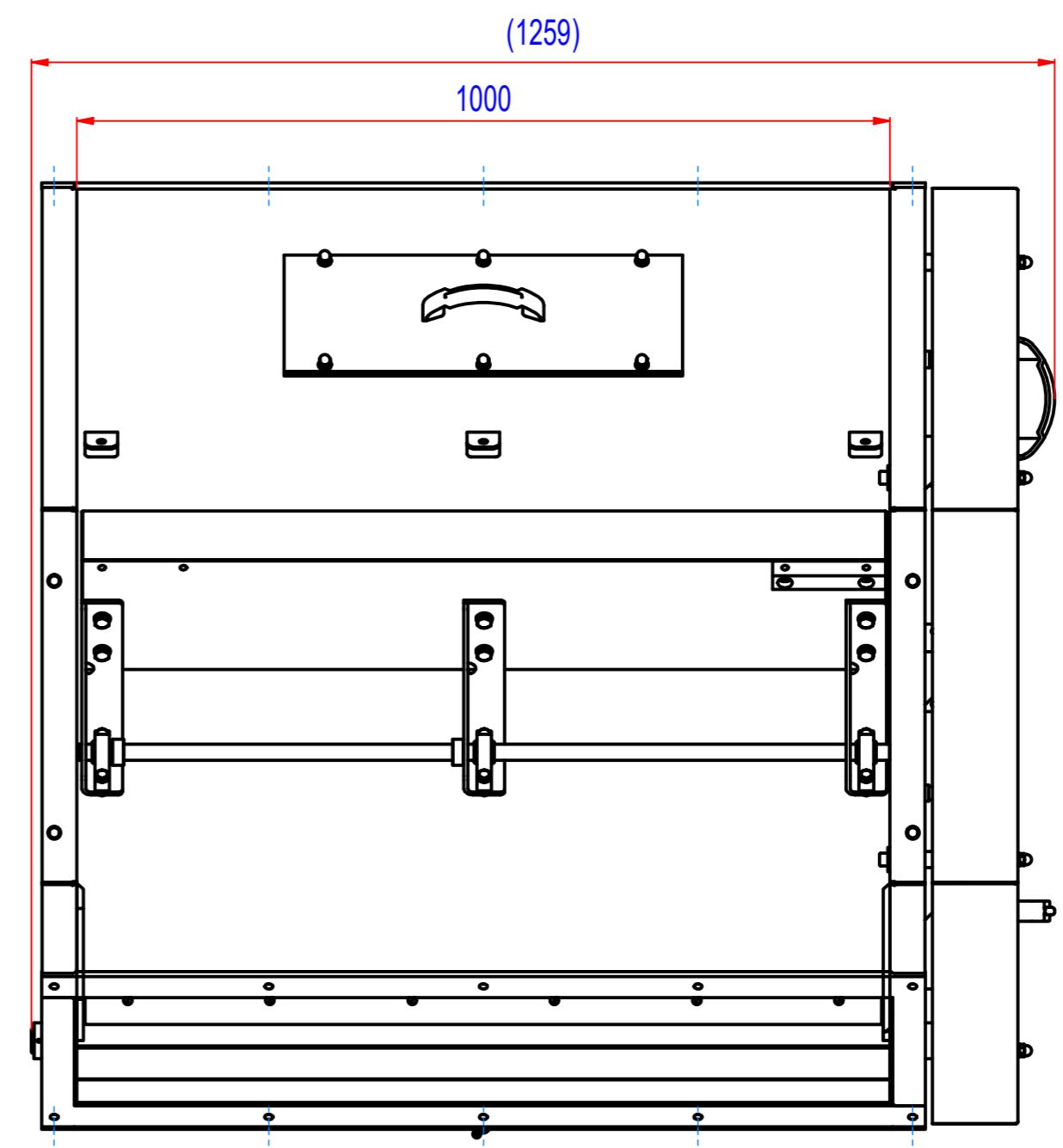
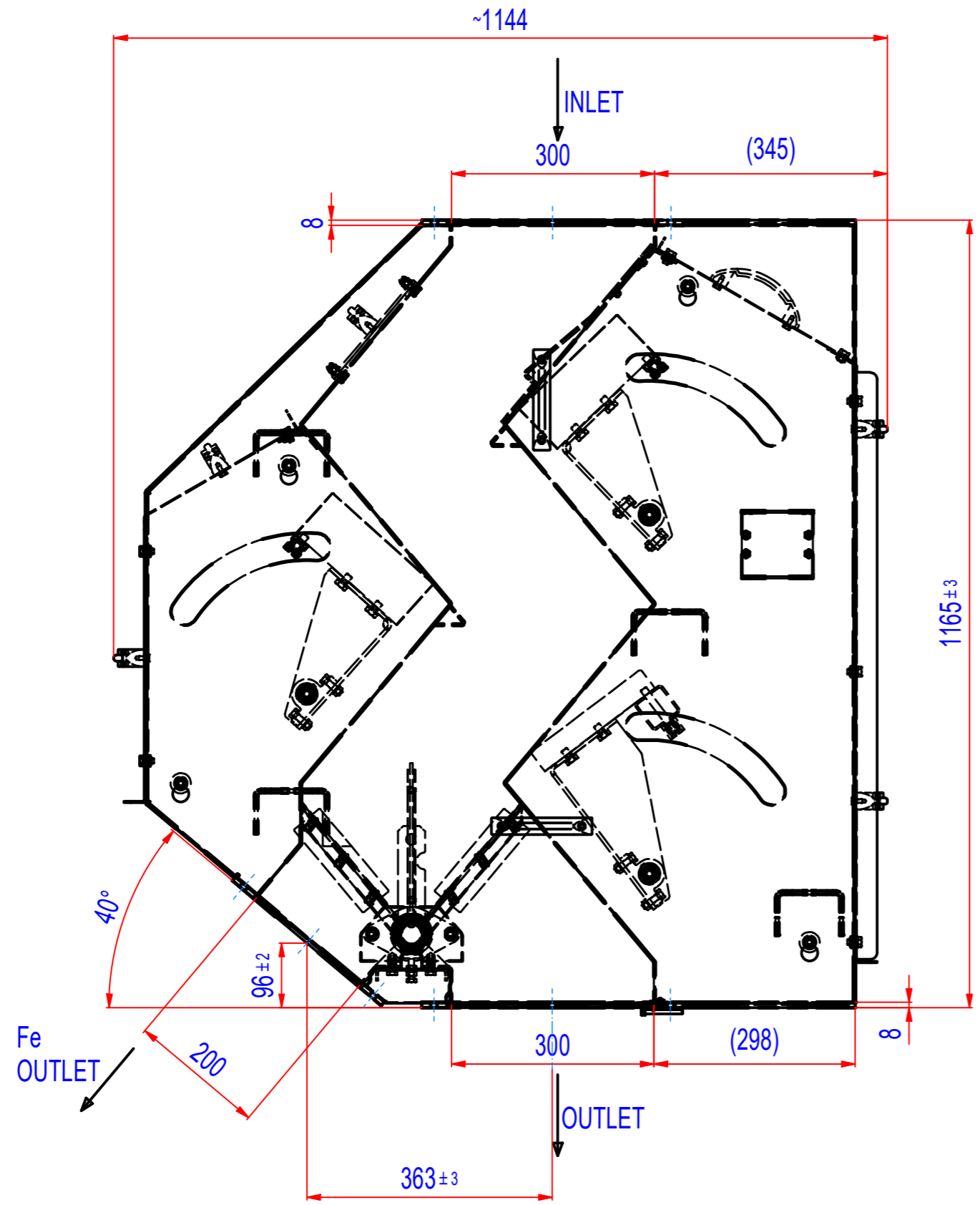


REV	DATE	BY	DESCRIPTION
-	11.01.2017	PH	NEW VALUT-REF: 453_000000_J
-	22.06.2020	EN	Cover handles added, tolerances added
A	05.05.2021	EN	Inspection hole increased, divided wear plate



1	A005_000000	SRKP100035	440,6
POZ./POS.	Č. SOUČÁSTI/ PART NUMBER	POPIS / DESCRIPTION	HMOT./ WEIGHT
Date:	Order ref.:	Responsible person:	
Drawn: EN	Weight (kg): 440,6	General tolerance: ISO 2768 - cL	
Date: 5.5.2021	Predecessor: SRKP100035w	Drawn according to: ISO268; ISO1101; ISO2553	
Quick search:			Status:
Description: Cascade magnet pneumatic, 3 steps, W1000	© All rights reserved. Reproduction is not permitted without written permission of GOUDSMIT Magnetic Systems BV		Customer reference number:
	Part number: SRKP100035	Product key: SEK-P-1000-3-FN-DC-Ex	Rev: A