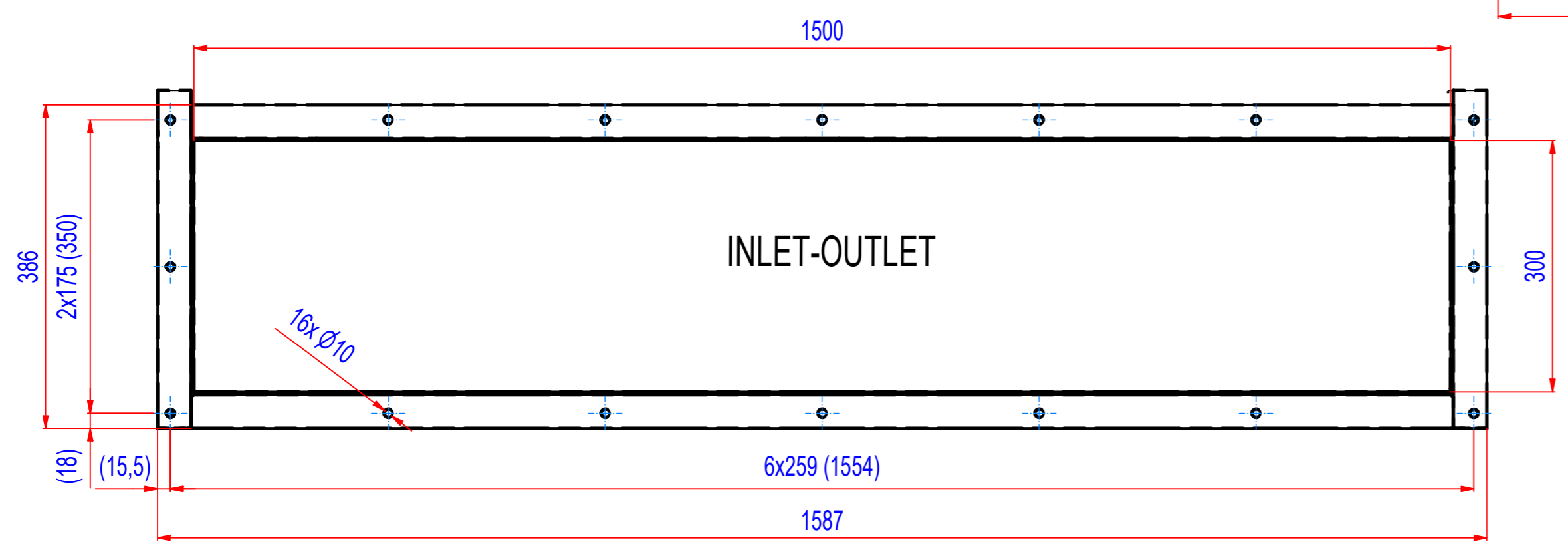
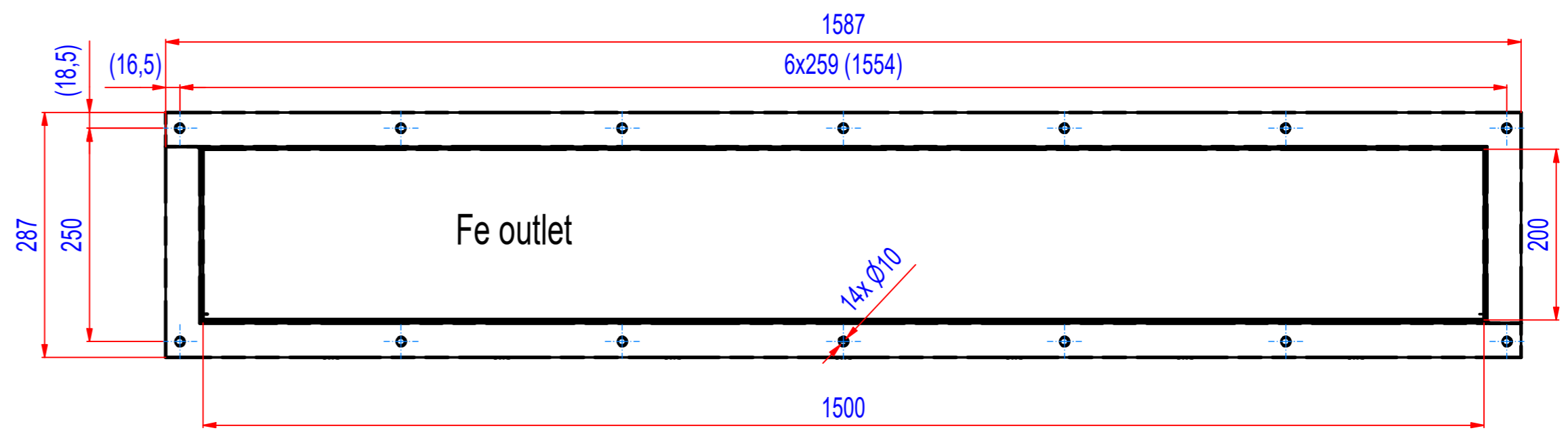
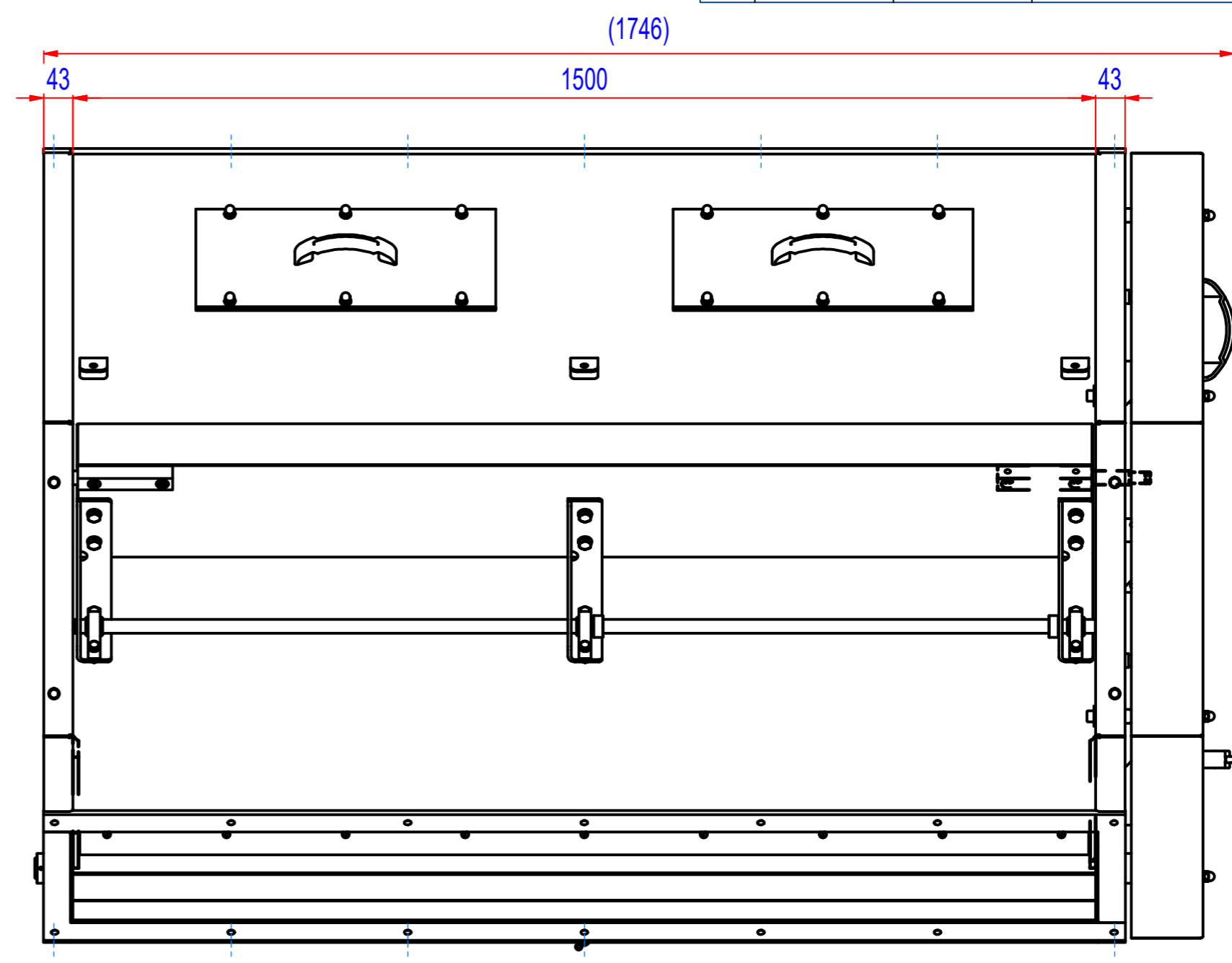
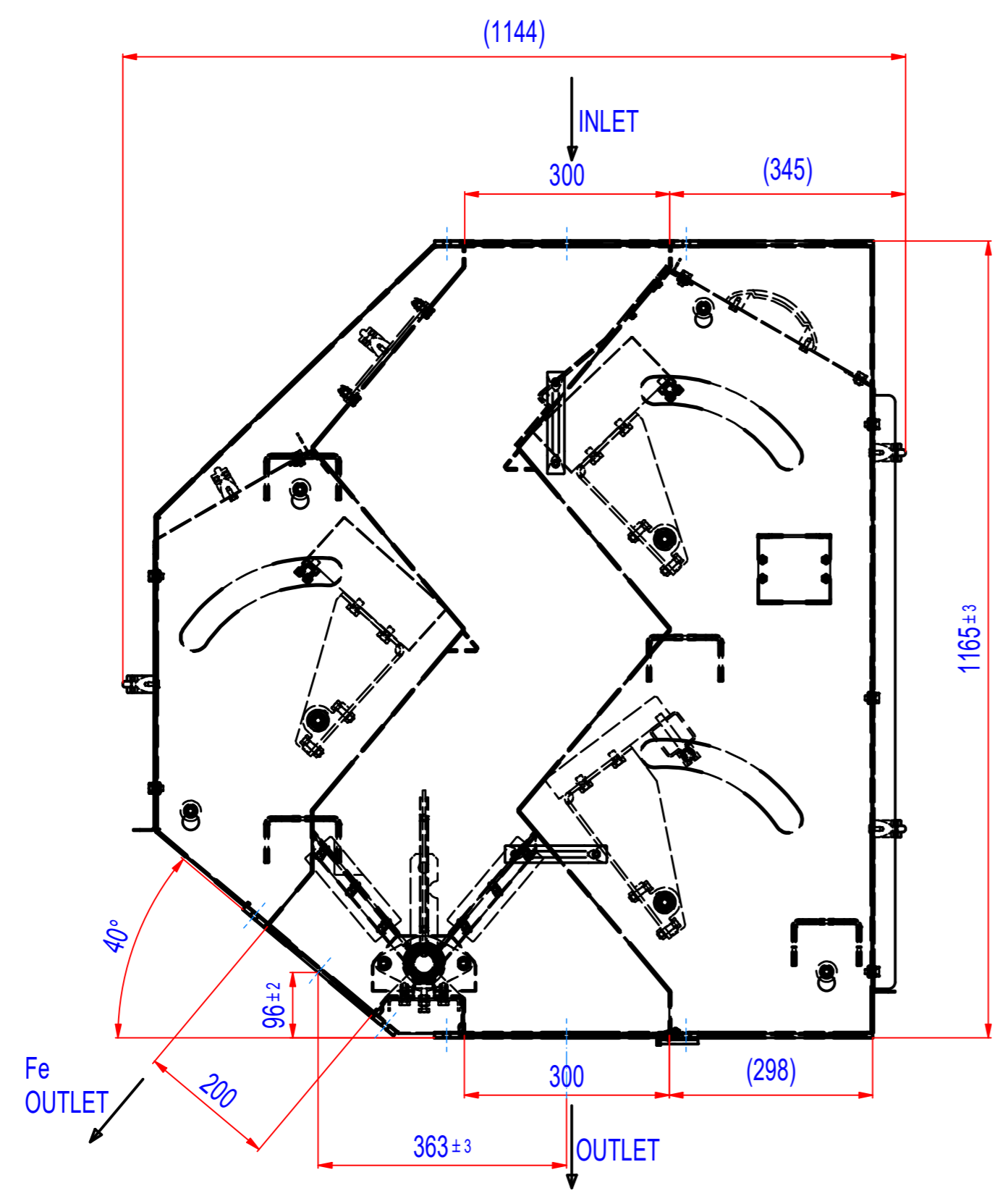


REV	DATE	BY	DESCRIPTION
-	11.01.2017	PH	NEW VALUT-REF: 453_000000_J
A	21.09.2021	EN	Two increased inspection holes, divided wear plate



POZ./POS.	Č. SOUČÁSTI/ PART NUMBER	POPIS / DESCRIPTION	HMOT./ WEIGHT
1	A042_000000	SRKP150035	596,7

Date:	Order ref.:	Responsible person:
Drawn: EN	Weight (kg): 596,7	Extra info: SRKP150035w
Date: 21.9.2021	Predecessor: SRKP150035w	General tolerance: ISO 2768 - cL
Quick search: XSKP1500	Description: Cascade magnet pneumatic, 3 steps, W1500	Drawn according: ISO268; ISO1101; ISO2553
		Status:
		Customer reference number:
		Product key: SEK-P-1500-3-FN-DC-Ex
		Part number: SRKP150035
		Rev: A