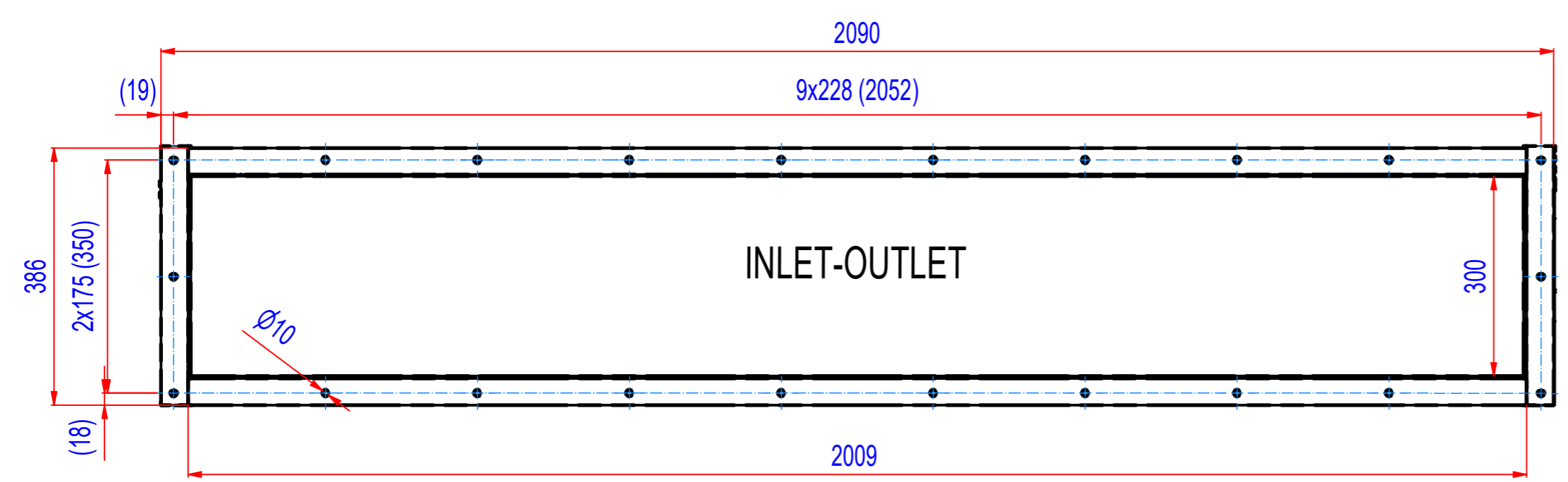
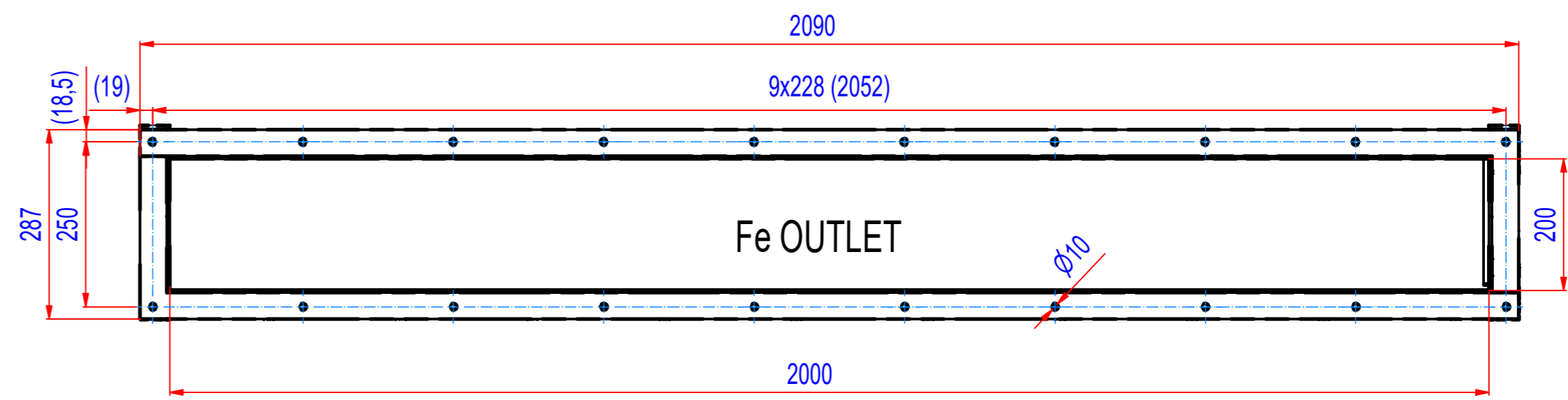
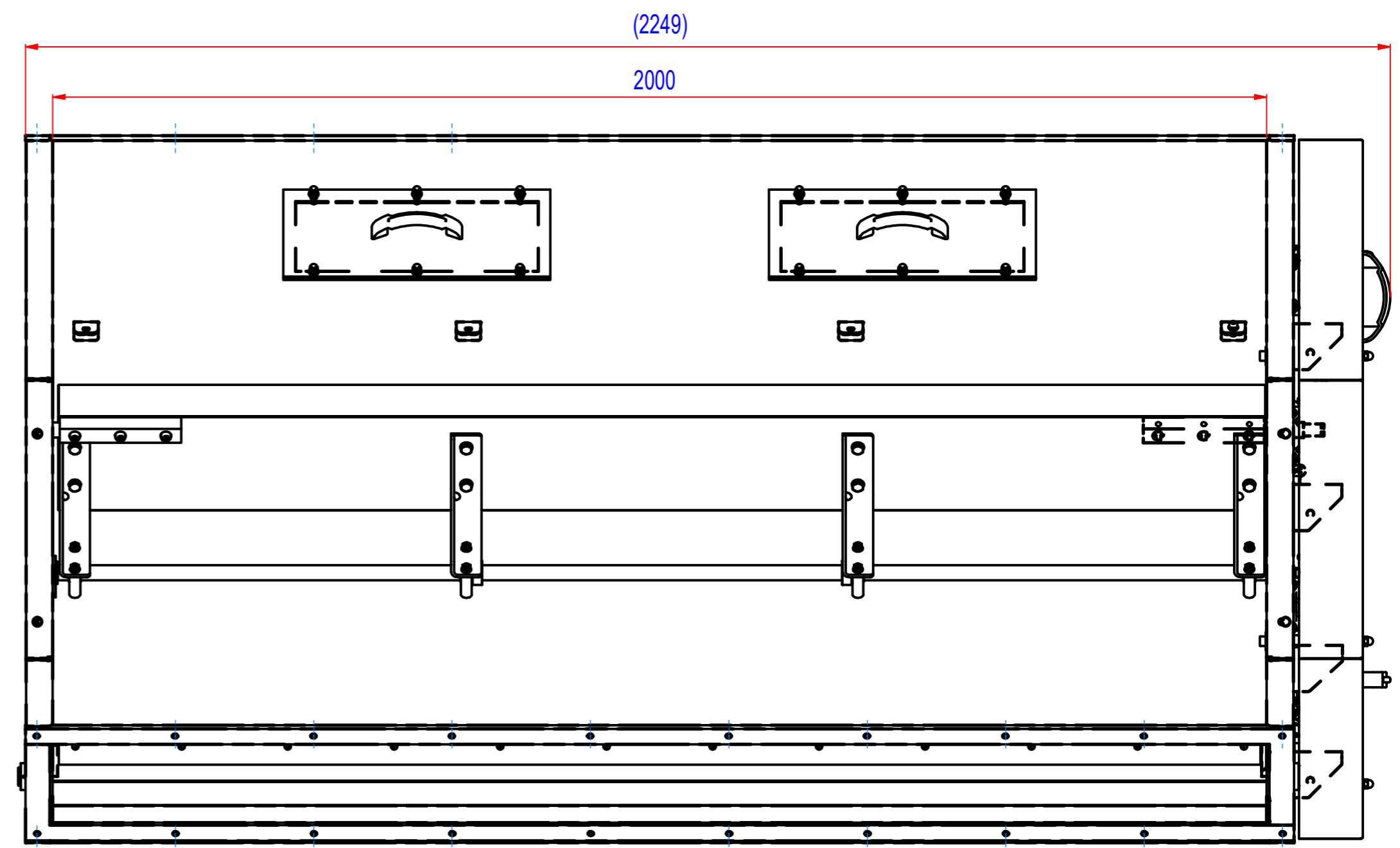
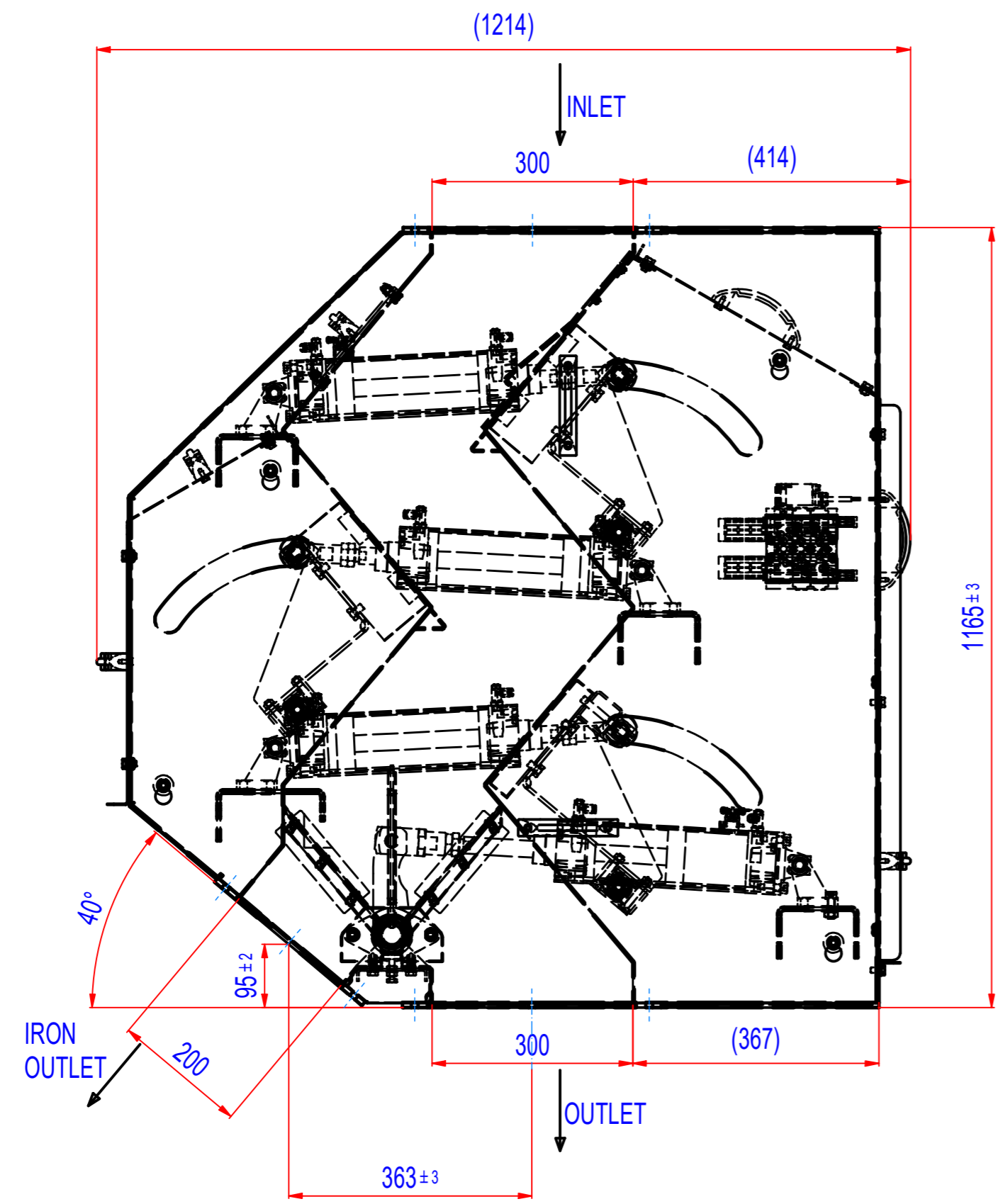


REV	DATE	BY	DESCRIPTION
-	05.05.2021	EN	New Vault, new design P41_000000, two inspection holes, divided wear plate



1	A902_000000	Kaskádový magnet pneumatický, 3 st, W2000	787,7
POZ./POS.	Č. SOUČÁSTI/ PART NUMBER	POPIS / DESCRIPTION	HMOT./ WEIGHT
Date:	Order ref.:	Responsible person:	
Sheet: A2 Drawn: EN Weight (kg): 787,7 Date: 05.05.2021 Predecessor: SRKP150035w Quick search: XSKP	Extra info:	General tolerance: ISO 2768 - cL Drawn according: ISO268; ISO1101; ISO2553 Status:	
© All rights reserved. Reproduction is not permitted without written permission of GOUDSMIT Magnetic Systems BV		Customer reference number:	
Description: Cascade magnet pneumatic, 3 steps, W2000		Product key: SEK-P-2000-3-FN-DC-Ex Part number: SRKP200035 Rev: -	