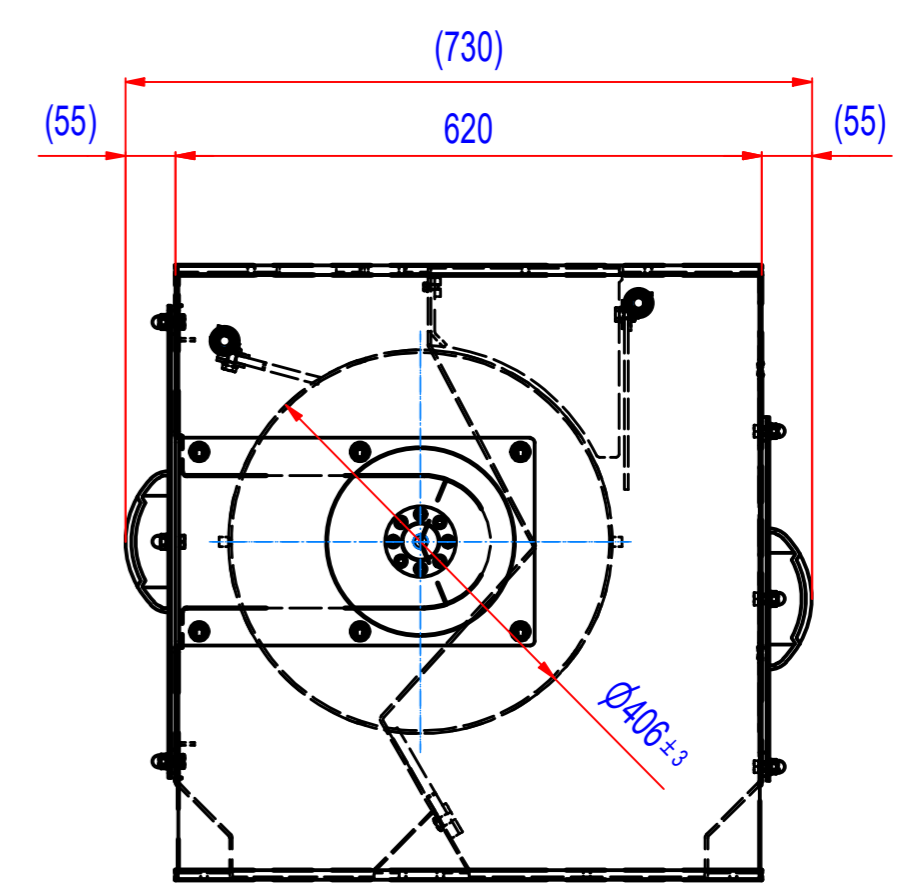
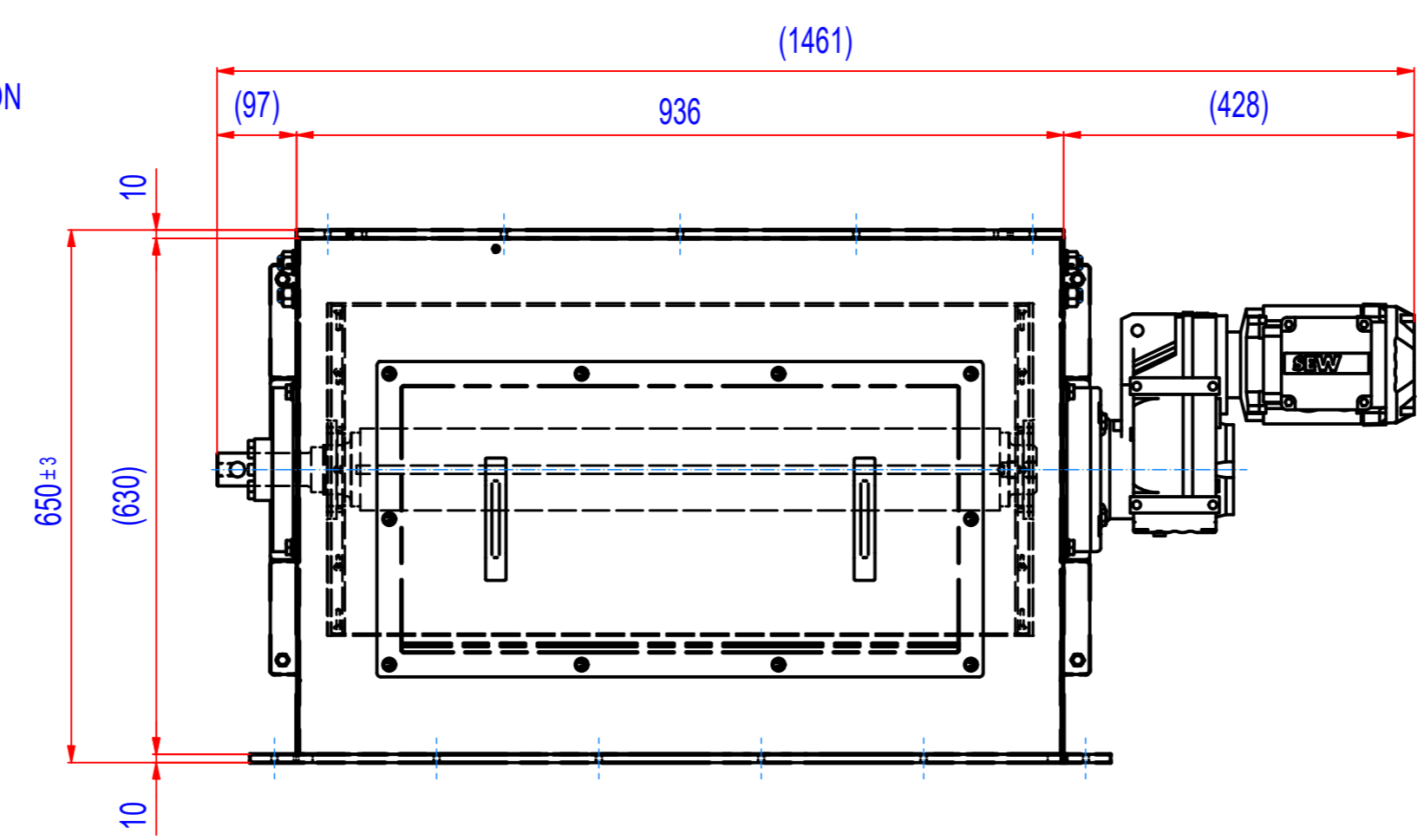
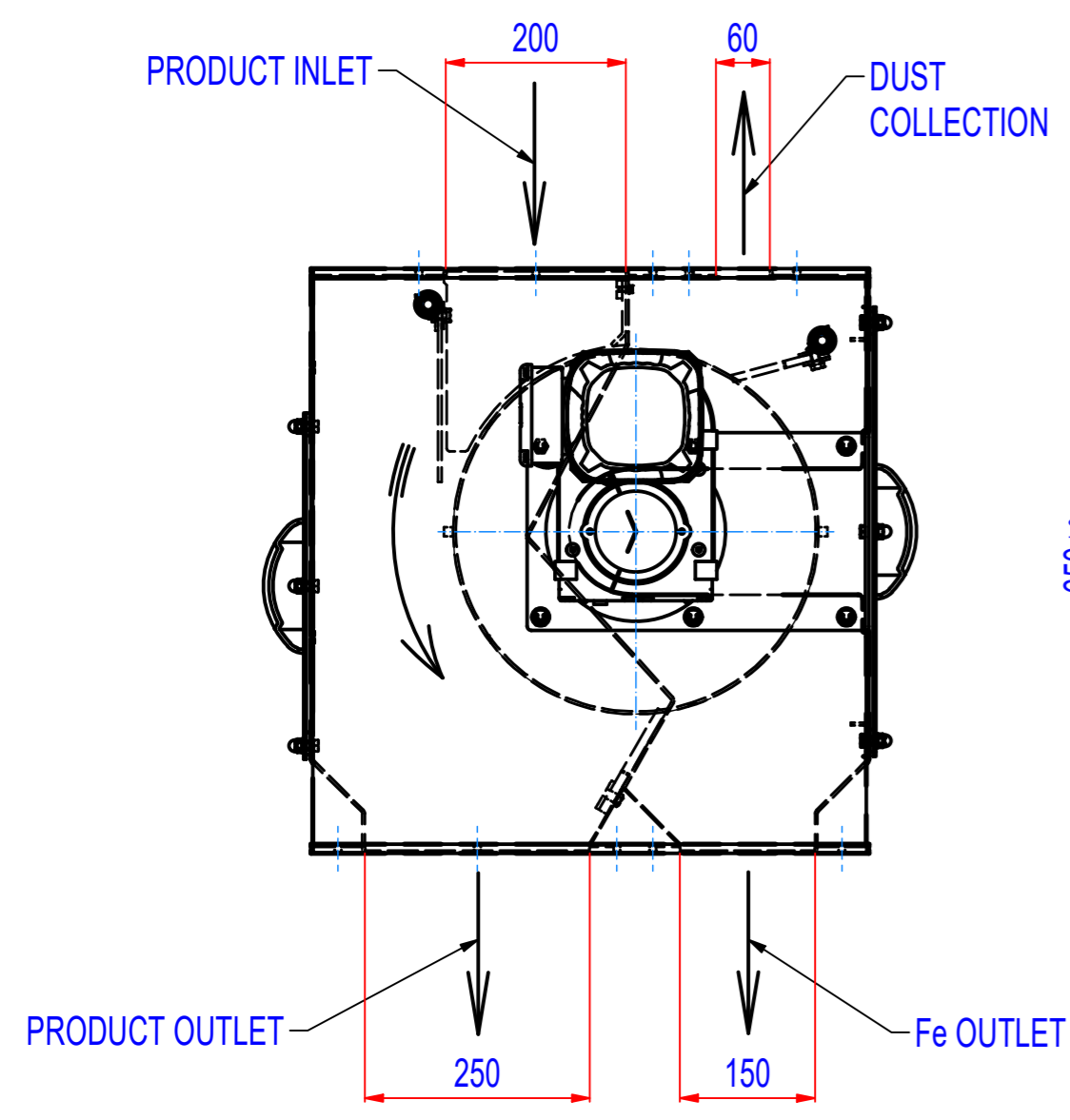
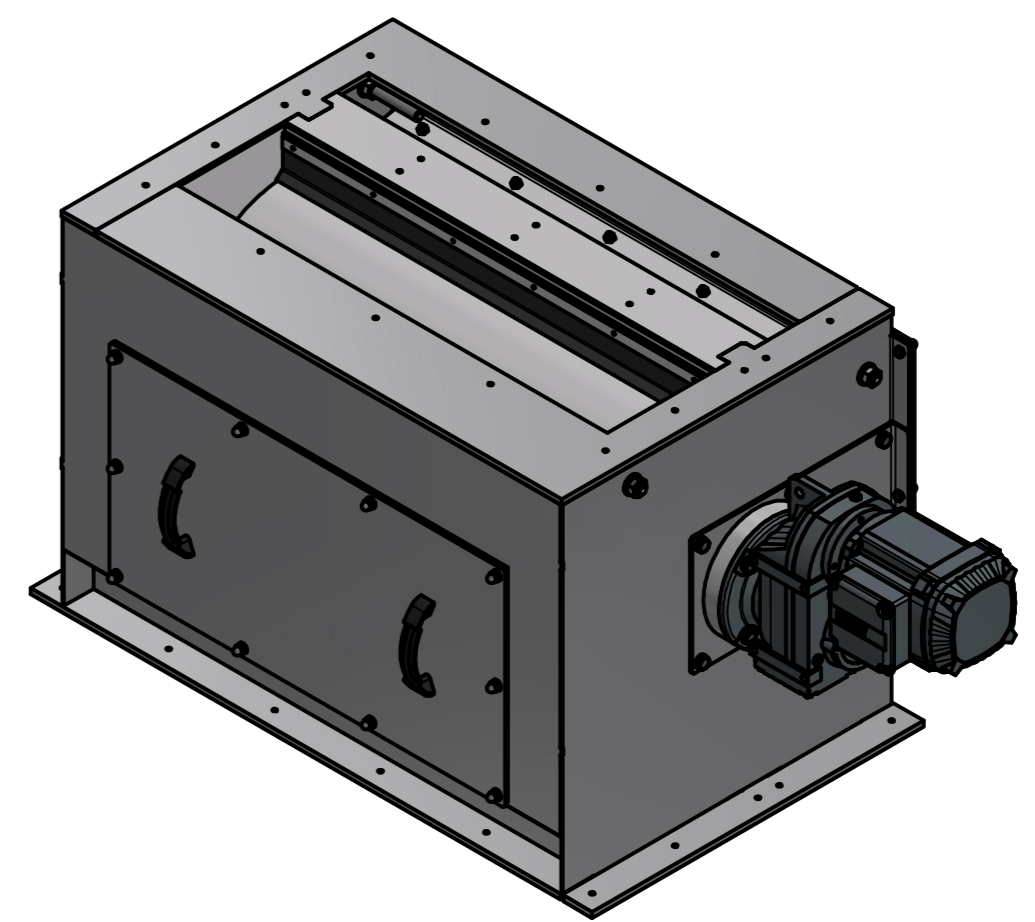


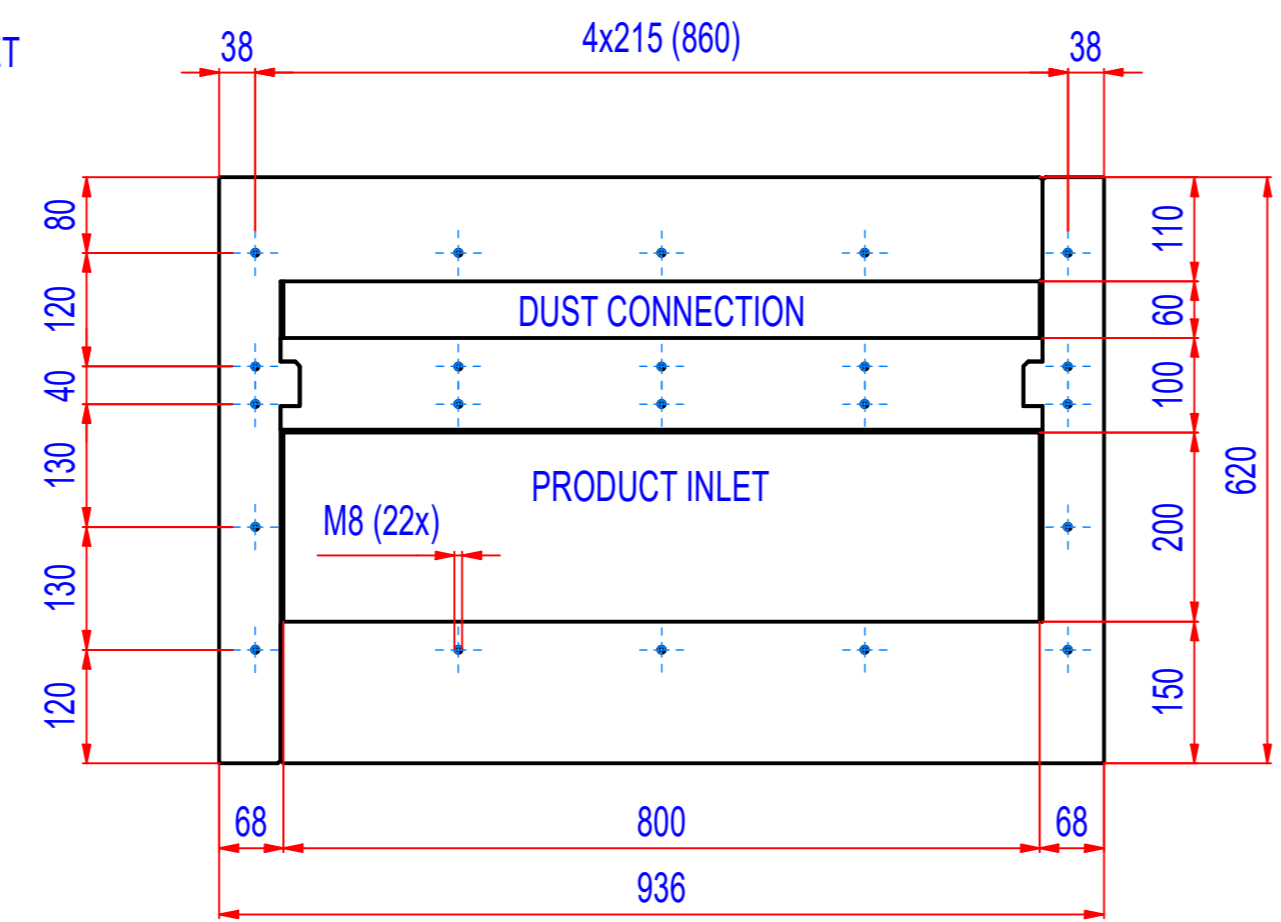
REV	BY	DATE	DESCRIPTION
	LF	10.10.2017	NEW VAULT, OLD REF.: SRTK080044_E
A	LF	13.05.2020	MOTOR IE3 (EAS IE1)



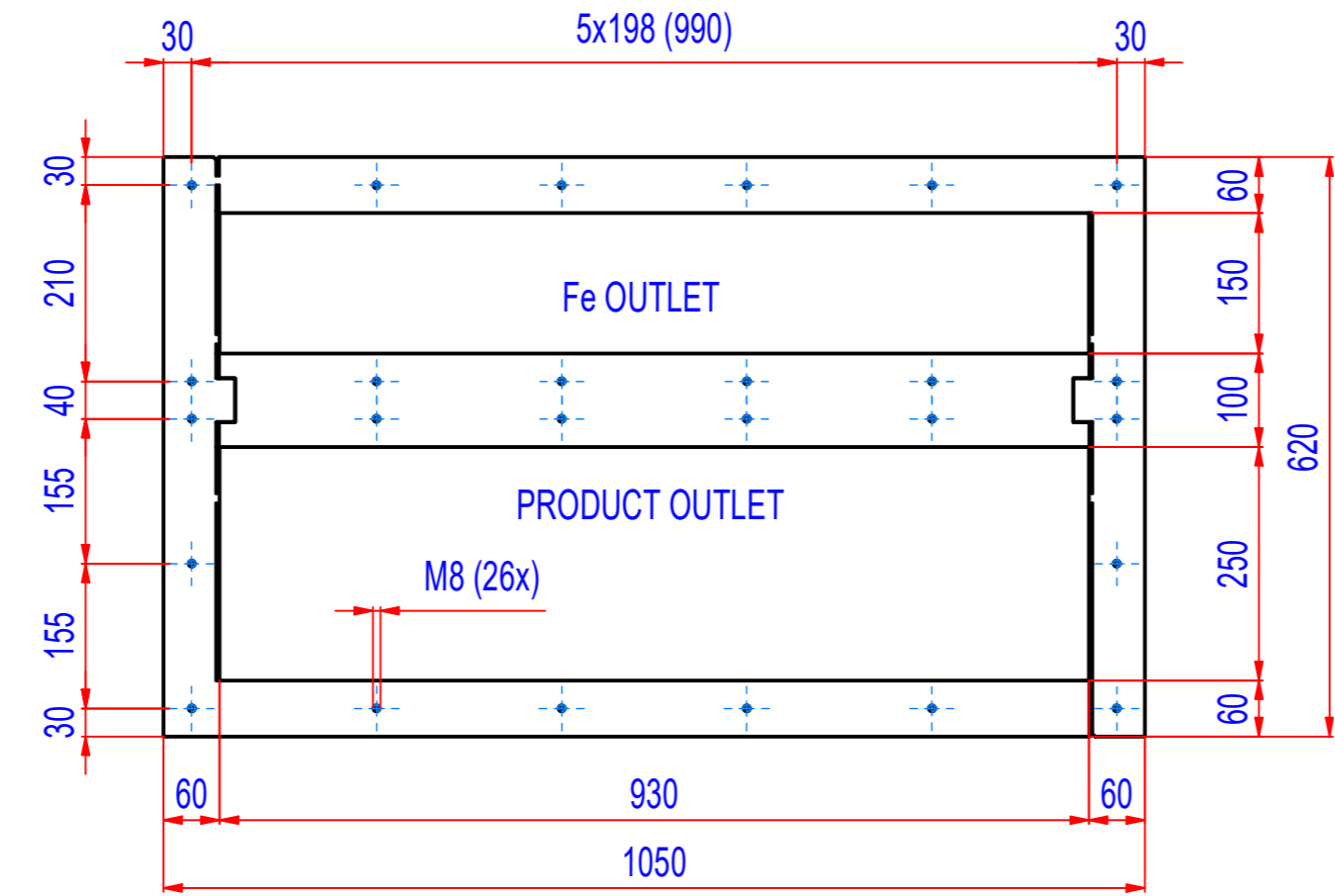
- DRIVE SEW FF47DRN80MK4, i=68,09 (21RPM)



TOP FLANGE



BOTTOM FLANGE



1	A281_000000	SRTK080044		398,2	1
POZ.	Č. SOUČÁSTI	POPIS	MATERIÁL	HMOT.	MN.
Date:	Order ref.:	Responsible person:			
Sheet: A2	Extra info:	General tolerance: ISO 2768 - cL			
Drawn: LF	Weight (kg): 398.2	Drawn according: ISO268; ISO1101; ISO2553			
Date: 10.10.2017	Predecessor:	Status:			
Quick search:	<p>© All rights reserved. Reproduction is not permitted without written permission of GOUDSMIT Magnetic Systems BV</p>		Customer reference number:		
Description: Drum separator in housing, Comb, D406-800			Product key: SETK-084-SD-B-30S2-NA-FZB-B-B		Part number: SRTK080044