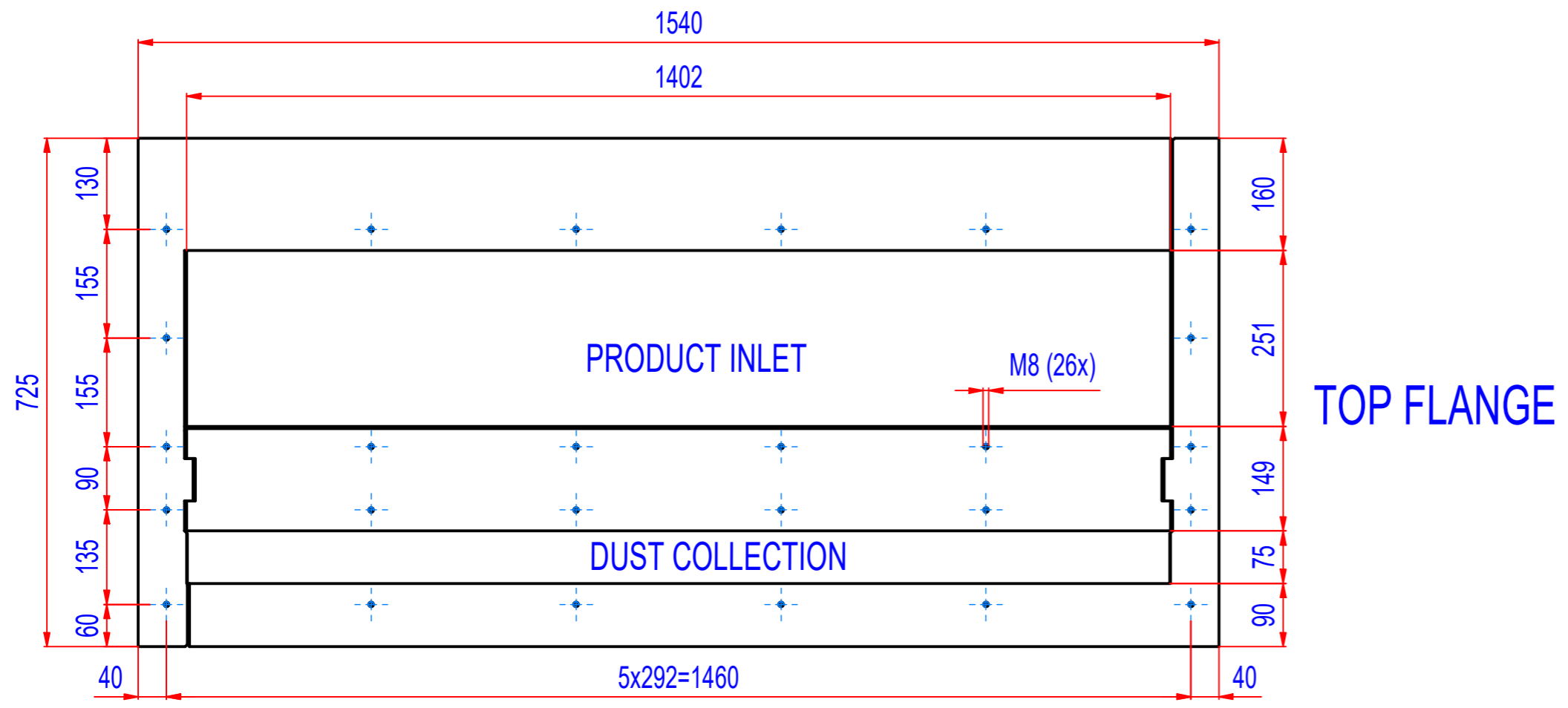
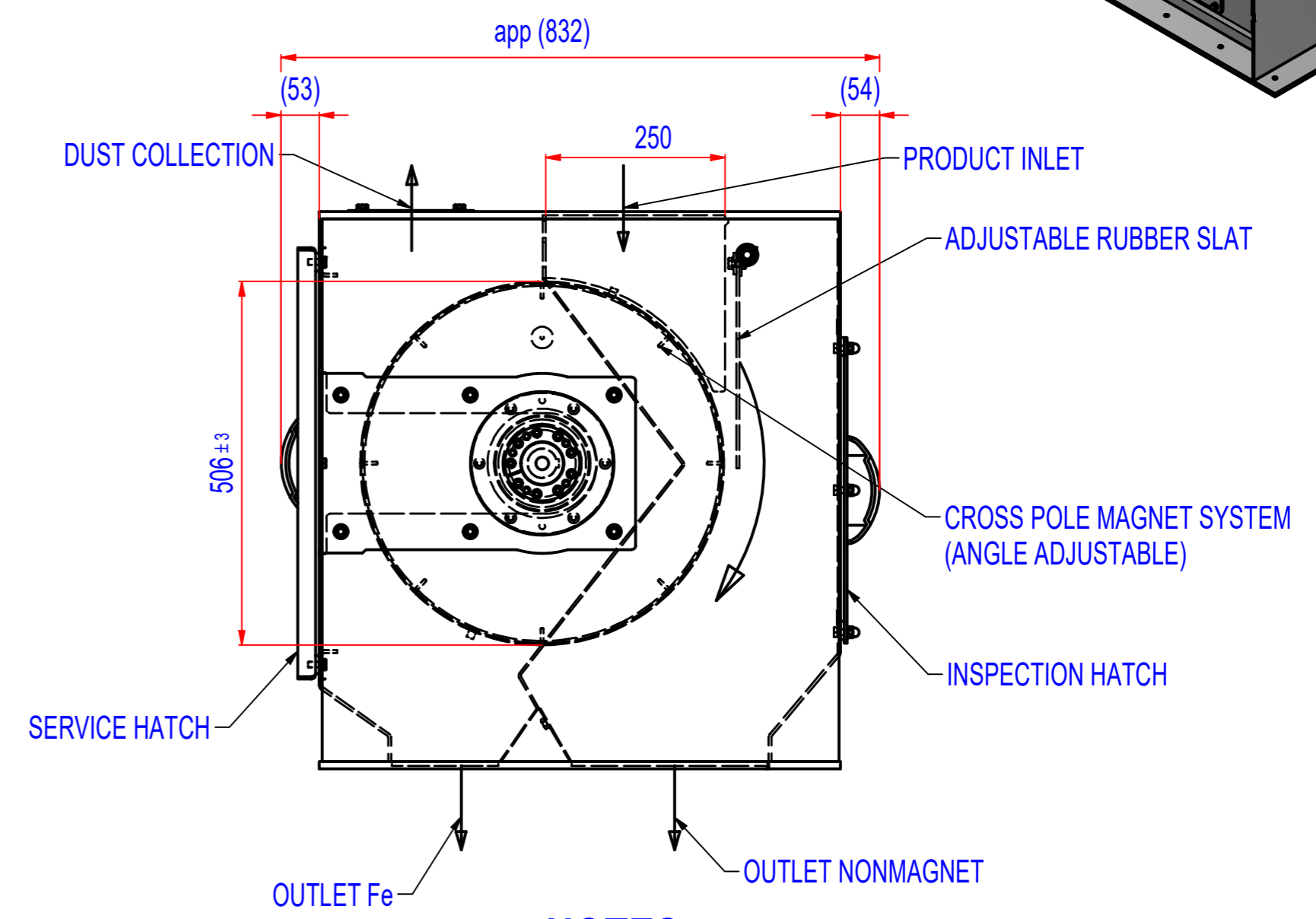
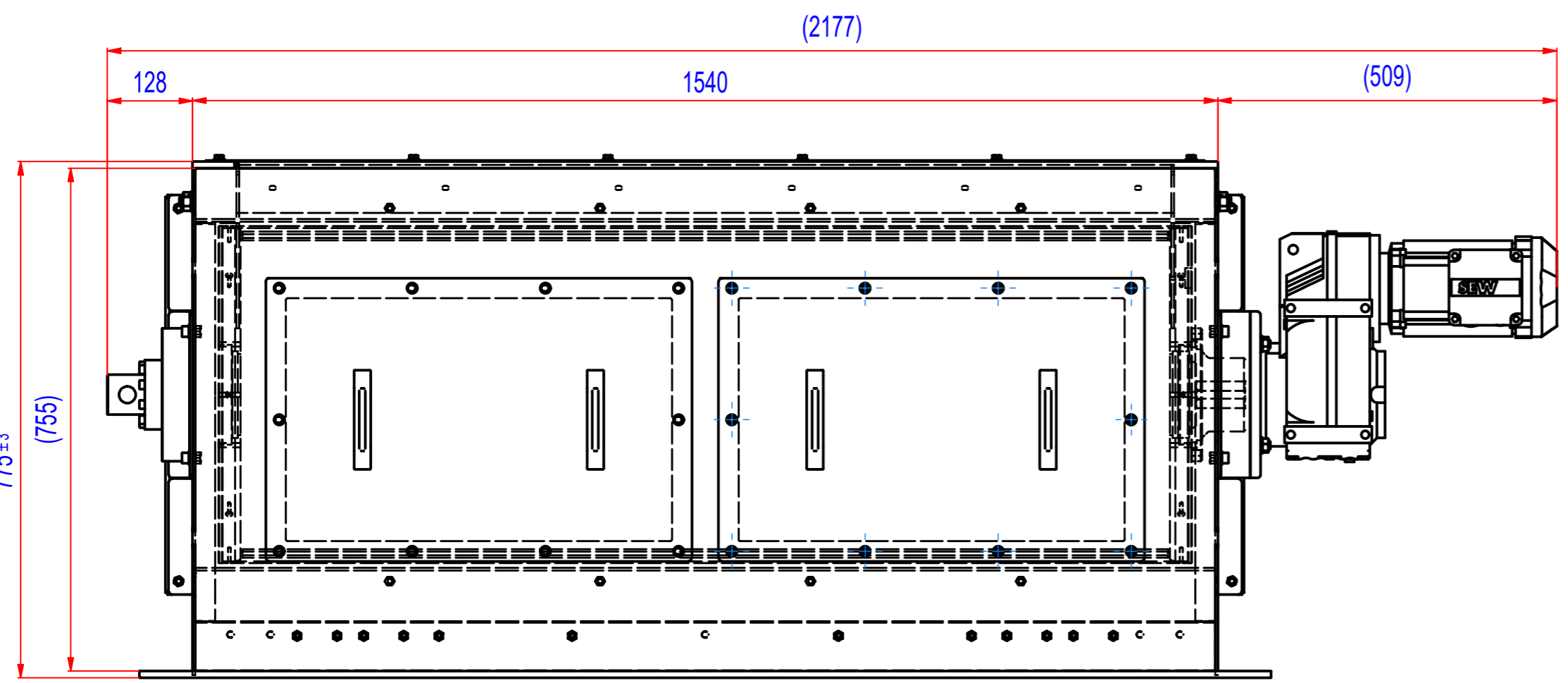
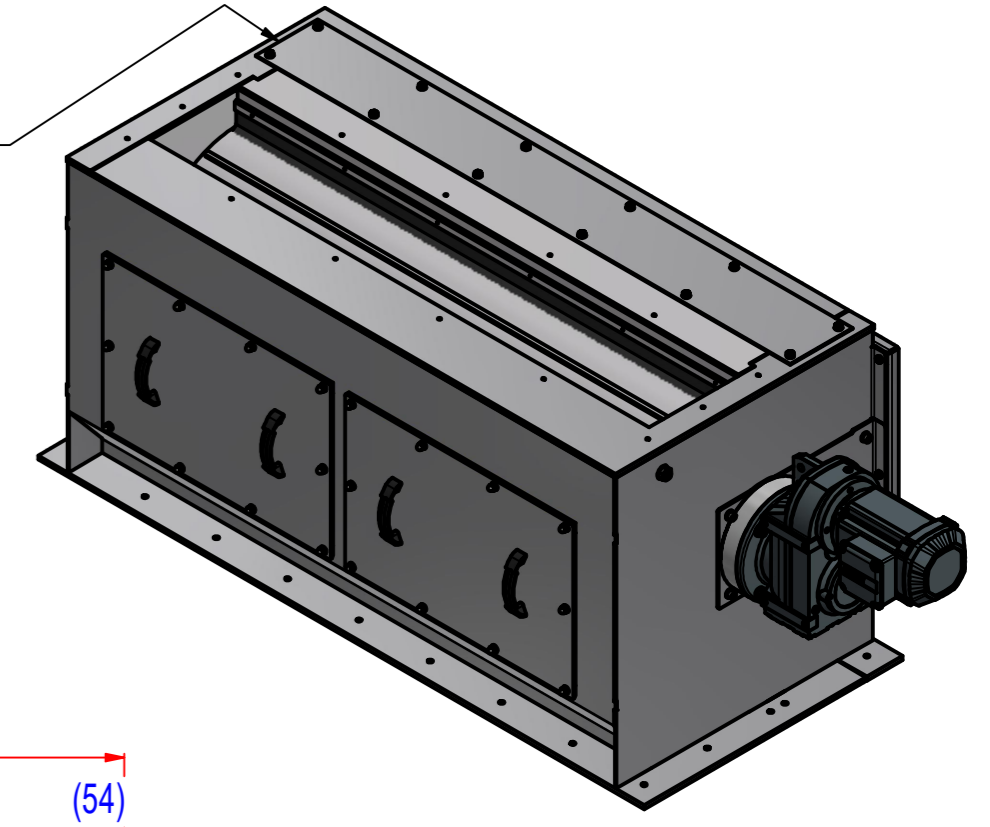


REV	BY	DATE	DESCRIPTION
-	PH	23.01.2017	New Vault, old rev.B, PUR slat
A	JKK	09.11.2023	DRIVE WAS CHANGED FROM MH07502104 IP54 TO MH07502110 IP55, PRODUCT KEY CORRECTED, HOLES OF FLANGES CHANGED

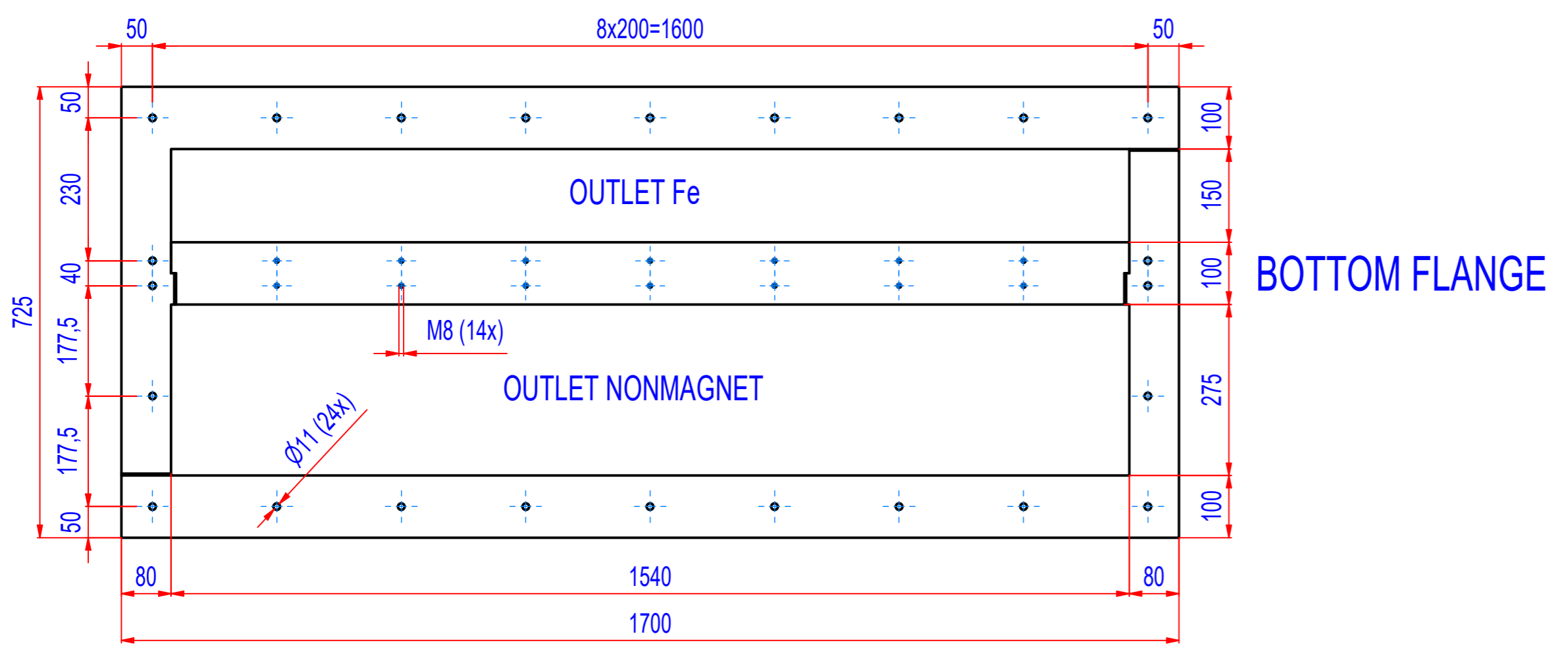


DUST COLLECTION OUTLET SEAL UP



NOTES

-DRIVE SEW FF67DRN80M4, 0,75kW, i=67,65, 20 RPM



1	A143_000000	SRTK140054		915,7	1
POZ.	Č. SOUČÁSTI	POPIS	MATERIÁL	HMOT.	MN.
Date:	Order ref.:	Responsible person:			
Drawn: PH	Weight (kg): 915.7	Extra info:	General tolerance: ISO 2768 - cL		
Date: 09.11.2023	Predecessor: C99_000000	<p>© All rights reserved. Reproduction is not permitted without written permission of GOUDSMIT Magnetic Systems BV</p>	Drawn according: ISO268; ISO1101; ISO2553		
Quick search:	Description: Drum separator in housing, Comb, D506-1400		Status:		
		Customer reference number:	Product key: SETK-145-SD-B-30S2-NA-FZB-B-B		
		Part number: SRTK140054	Rev: A		