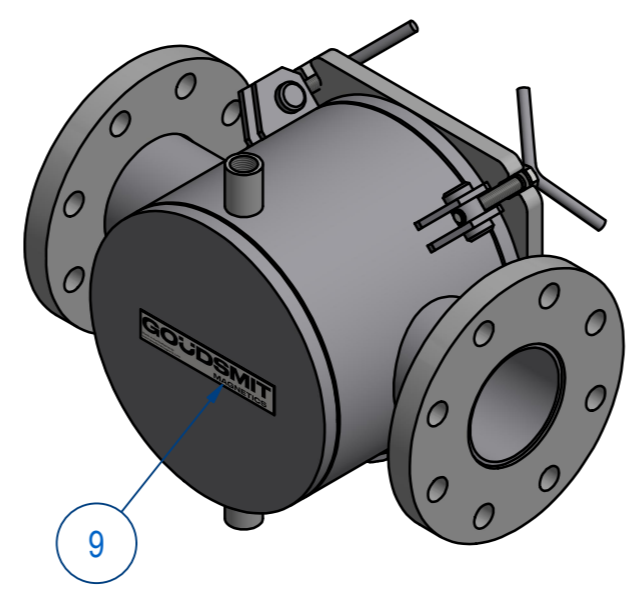
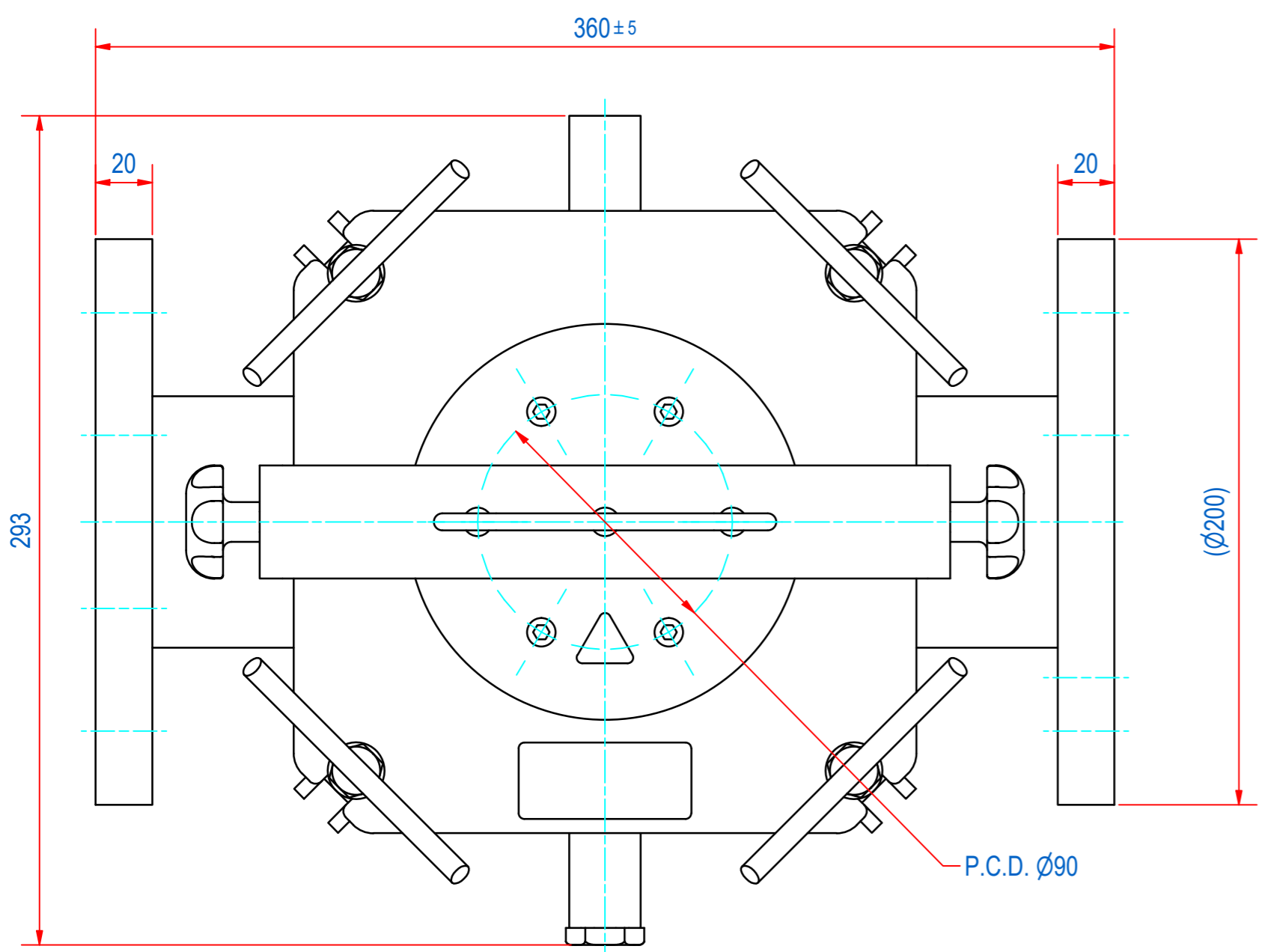
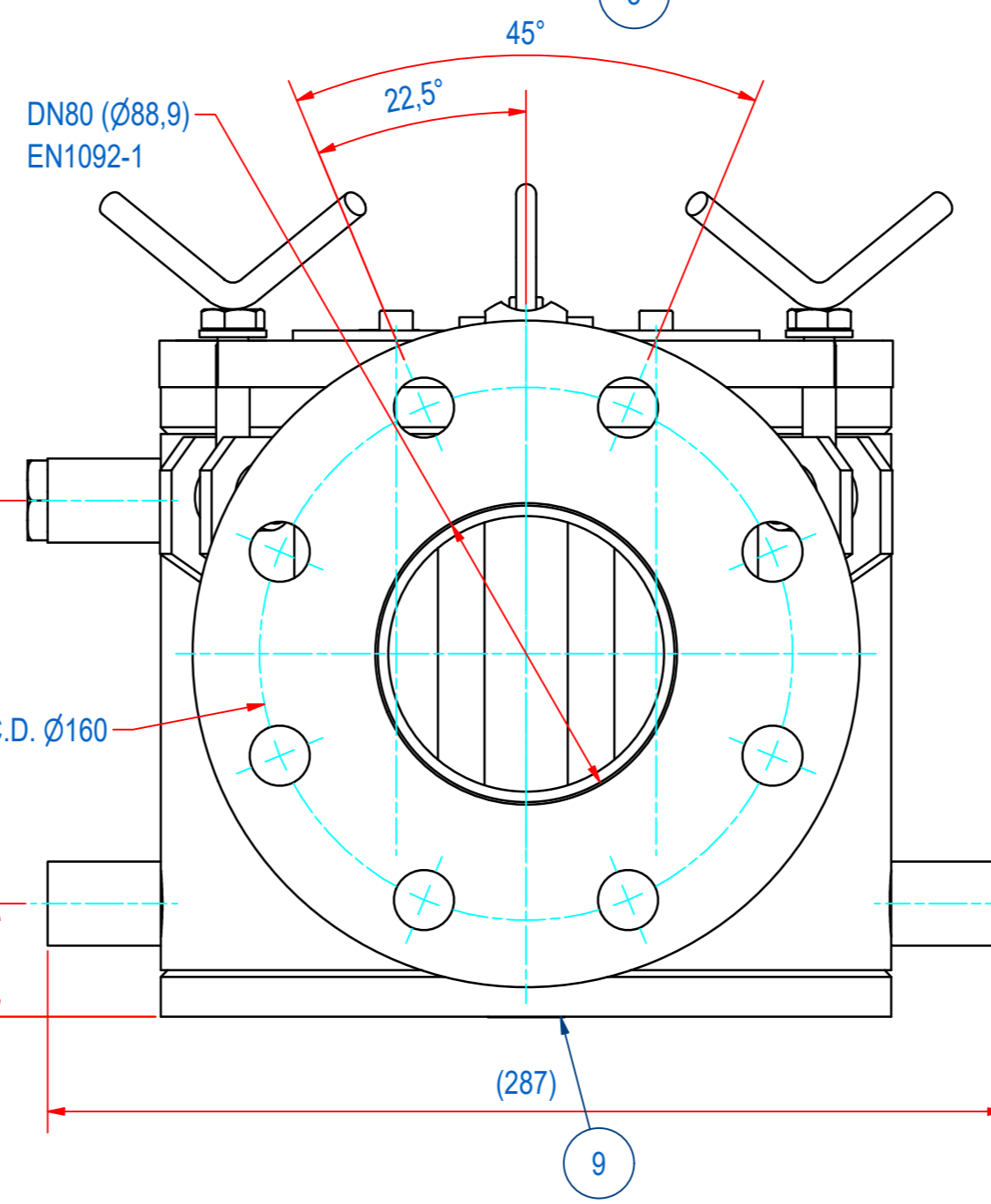
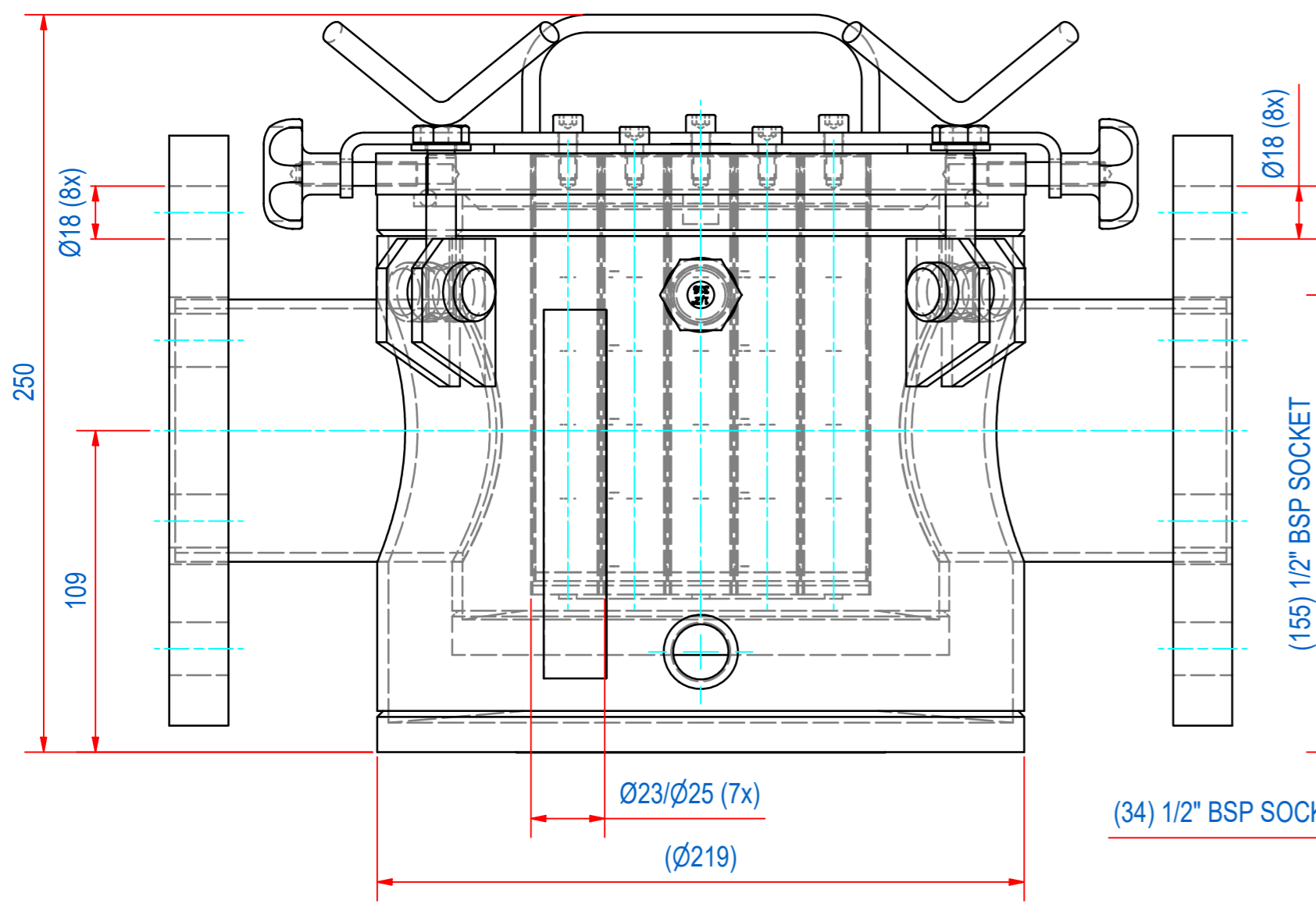
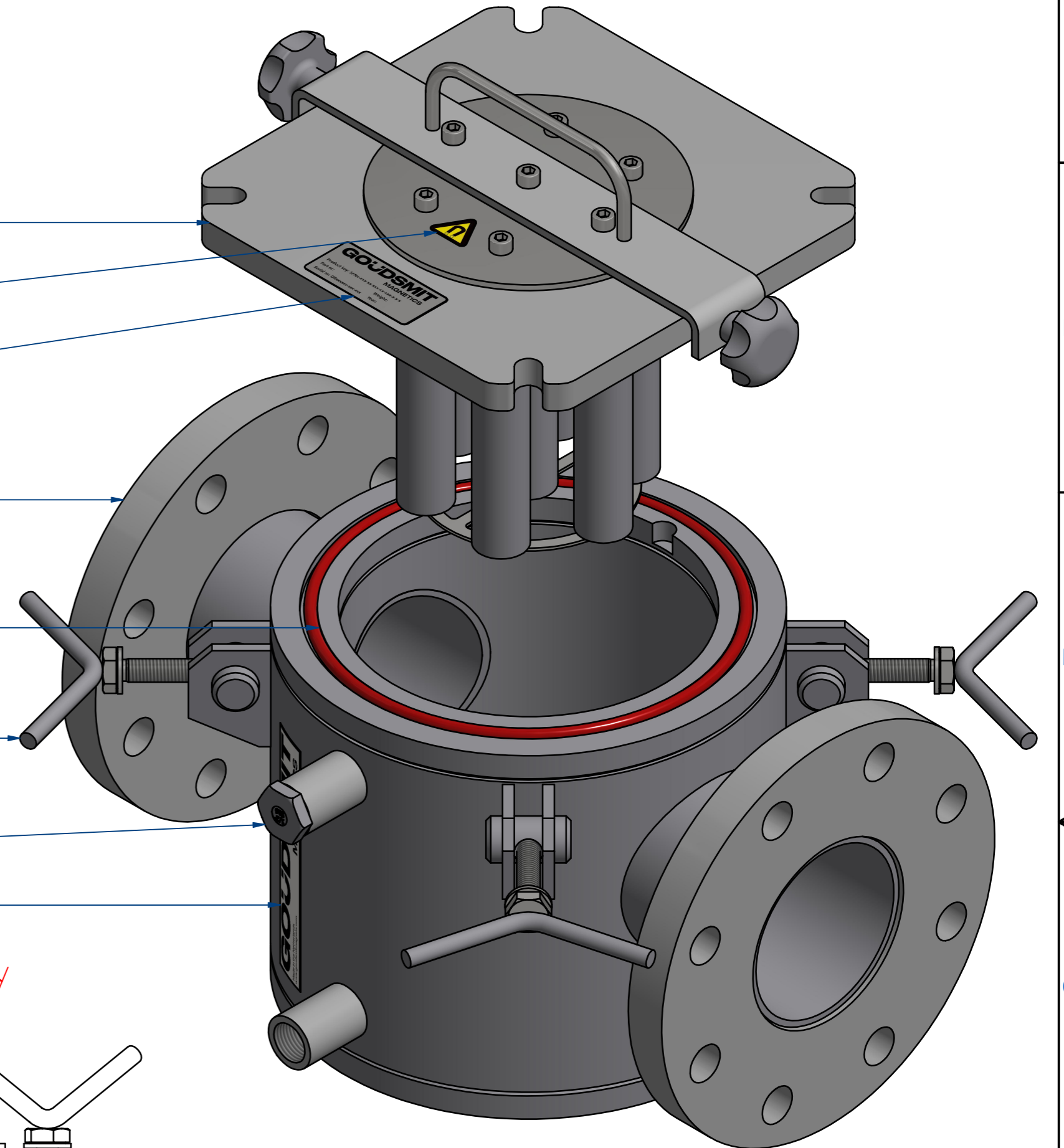


REV	DATE	BY	DESCRIPTION
-	23-5-2013	CR	NEW REVISION VAULT, NOTHING CHANGED, OLD REV WAS F
A	22-11-2018	CR	TYPE PLATE AND WARNING STICKERS ADDED AND TOLERANCE CHANGED: 360+/-5 WAS 360+/-2
B	25-5-2023	DK	-B ADDED TO PRODUCT KEY AND SOURCE CODE ADDED



- 2
- 8
- 4
- 1
- 7
- 3
- 6
- 5



ITEM	QTY	PART NUMBER	DESCRIPTION	Dimensions
9	1	1215.00407	ETCH PLATE GOUDSMIT 125x23	
8	1	1000.20080	STICKER MAGNETIC FIELD 20mm	
7	1	78.1179570	O-RING Ø179.3 xØ5.7 EC1935	
6	1	76.9900002	SEALING PLUG 1/2" HEXAGON CON	
5	1	E0092760	STICKER SFD-080 GSM	
4	1	E0086453	TYPE PLATE FILTER SFN	
3	4	M66810	GPFI-050/065-TOGGLE M10	
2	1	M21994	SFND-S-080 INSERT NdFeB HT	
1	1	M21999	SFND-080 HOUSE DN80 EN1092-1	

ITEM	QTY	PART NUMBER	DESCRIPTION	Dimensions
RAW MAT.	1			
Quantity		Material Number	Material Description	Length (mm) Width (mm)
Sheet:	A2	Extra info:		General tolerance: ISO 2768 - mK
Drawn:	CR	Weight (kg):	32	Drawn according: ISO268; ISO1101; ISO2553
Date:	8-6-1999			Status: Standard
Spare part:	False	Source:	MC-C	Customer reference number:
Quick search:	FSD080	© All rights reserved. Reproduction is not permitted without written permission of GOUDSMIT Magnetic Systems BV		Document number: SSFD008038 Doc.Rev: B
Description:	SFND-080-IF-07E-HT-F1m-S-B-B-B			Part number: SSFD008038 Rev: B