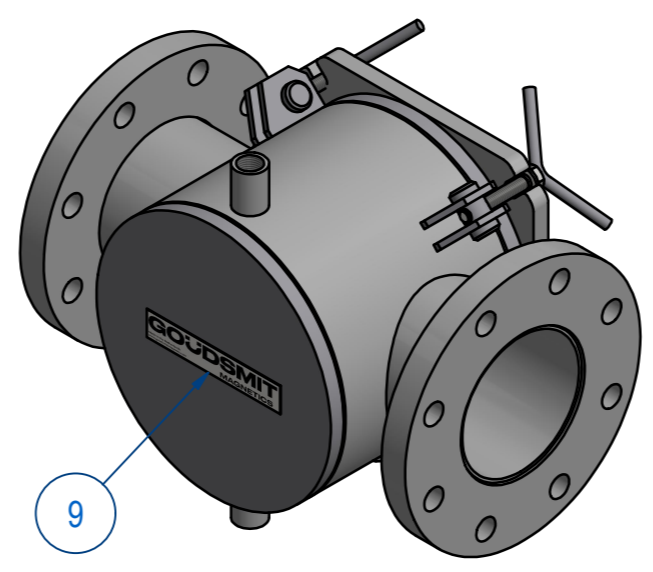
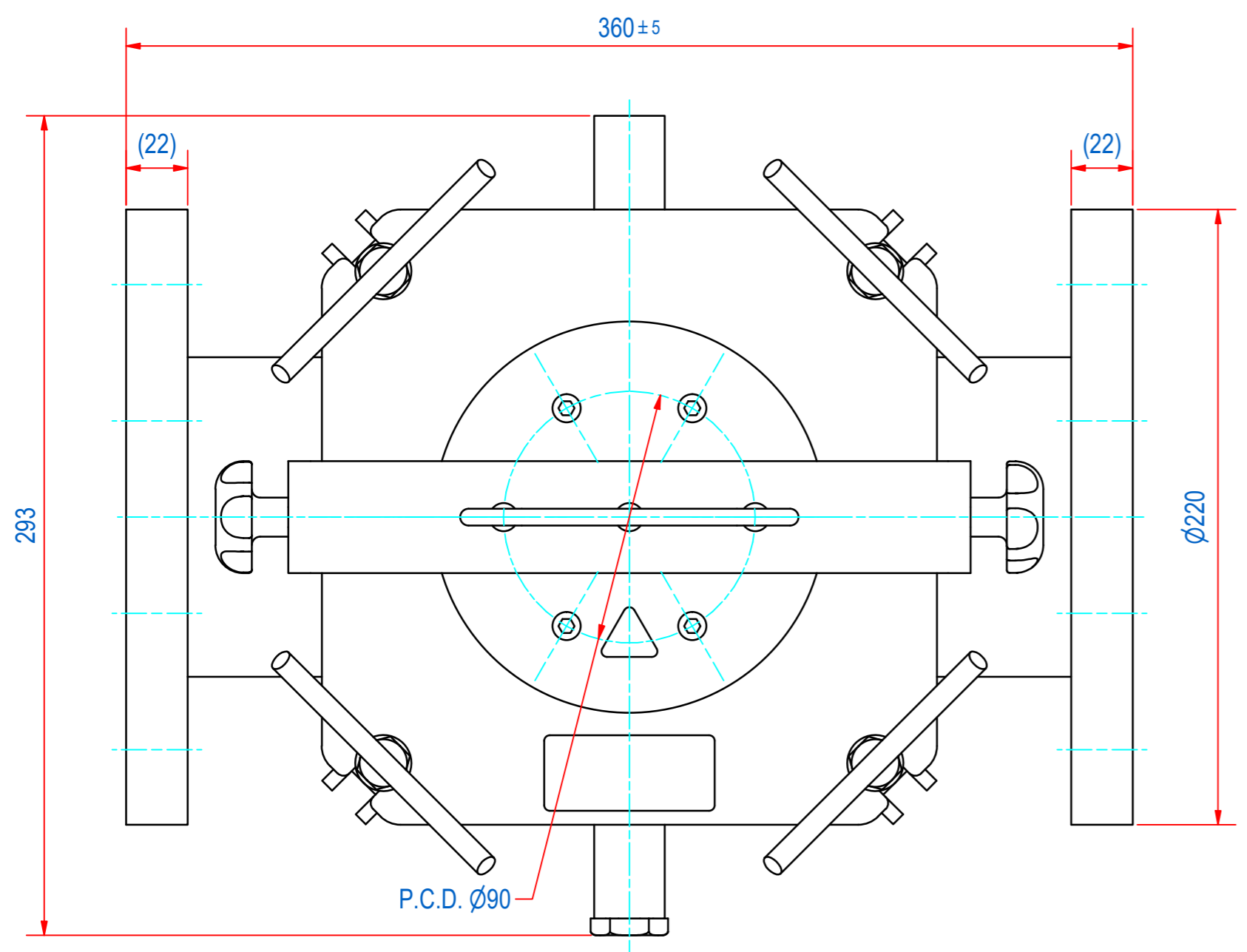
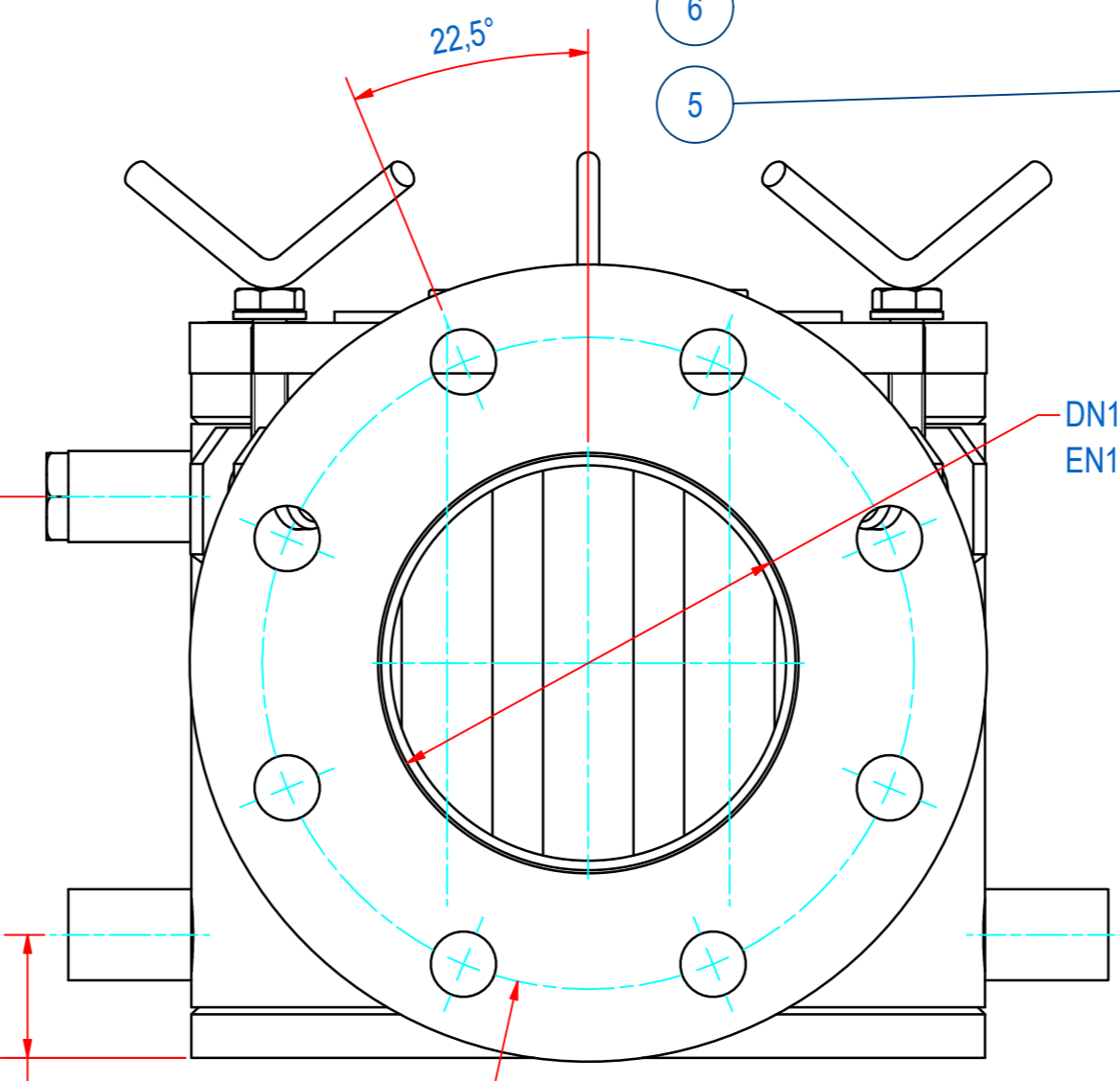
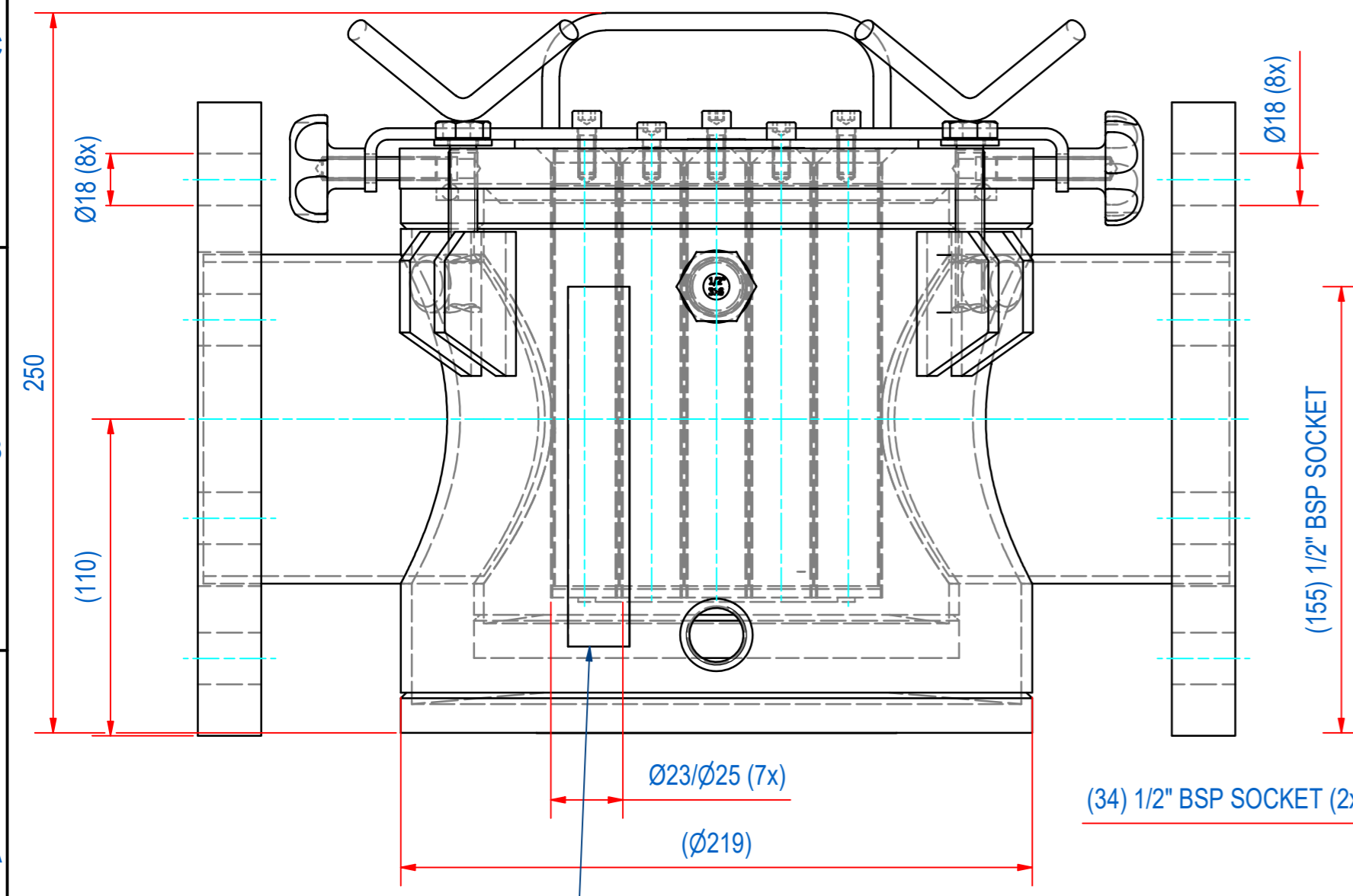
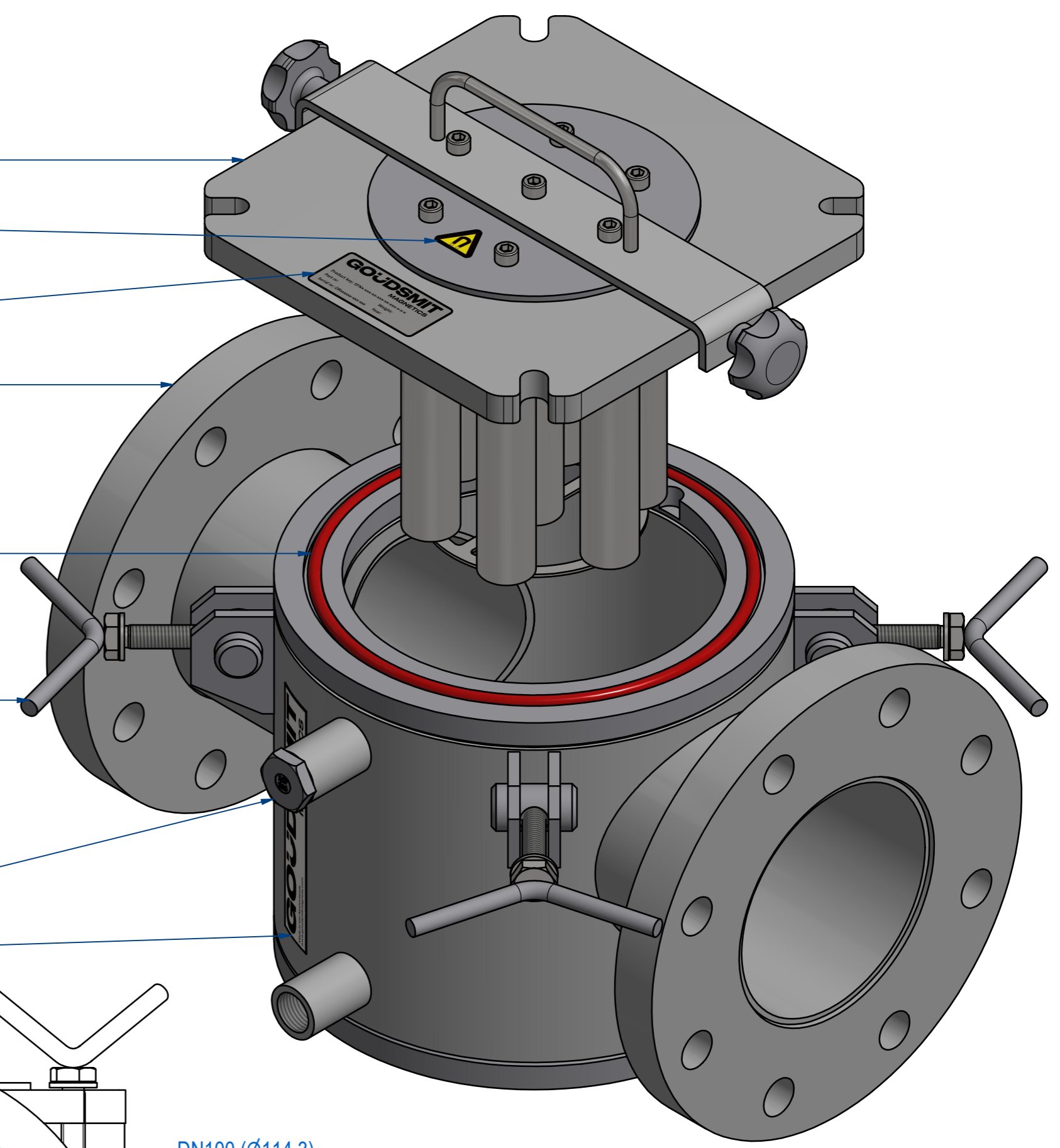


| REV | DATE | BY | DESCRIPTION |
|-----|------------|----|--|
| - | 26-11-2013 | CR | NEW REVISION VAULT, NOTHING CHANGED, OLD REV WAS E |
| A | 22-8-2018 | CR | TYPE PLATE AND WARNING STICKERS ADDED |
| B | 25-5-2023 | DK | -B ADDED TO PRODUCT KEY, SOURCE CODE ADDED |



- 2
- 8
- 4
- 1
- 7
- 3
- 6
- 5



| ITEM | QTY | PART NUMBER | DESCRIPTION | Dimensions |
|------|-----|-------------|-------------------------------|------------|
| 9 | 1 | 1215.00407 | ETCH PLATE GOUDSMIT 125x23 | |
| 8 | 1 | 1000.20080 | STICKER MAGNETIC FIELD 20mm | |
| 7 | 1 | 78.1179570 | O-RING Ø179.3 xØ5.7 EC1935 | |
| 6 | 1 | 76.9900002 | SEALING PLUG 1/2" HEXAGON CON | |
| 5 | 1 | E0092760 | STICKER SFD-080 GSM | |
| 4 | 1 | E0086453 | TYPE PLATE FILTER SFN | |
| 3 | 4 | M66810 | GPFI-050/065-TOGGLE M10 | |
| 2 | 1 | M39883 | SFND-S-100 INSERT NdFeB HT | |
| 1 | 1 | M25609 | SFND-100 HOUSE EN1092-1 | |

| RAW MAT. | Quantity | Material Number | Material Description | Length (mm) | Width (mm) |
|----------|----------|-----------------|----------------------|-------------|------------|
| ⊕ | 1 | | | | |

| | | |
|--|------------------------|--|
| Sheet: A2 | Extra info: | General tolerance: ISO 2768 - mK |
| Drawn: AvD | Weight (kg): 34 | Drawn according: ISO268; ISO1101; ISO2553 |
| Date: 15-6-1998 | | Status: Standard |
| Spare part: False | Source: MC-C | Customer reference number: |
| Quick search: FSD100 | | Document number: SSF0010038 |
| Description: SFND-100-IF-07E-HT-F1m-S-B-B-B | | Doc.Rev: B |
| | | Part number: SSF0010038 |
| | | Rev: B |