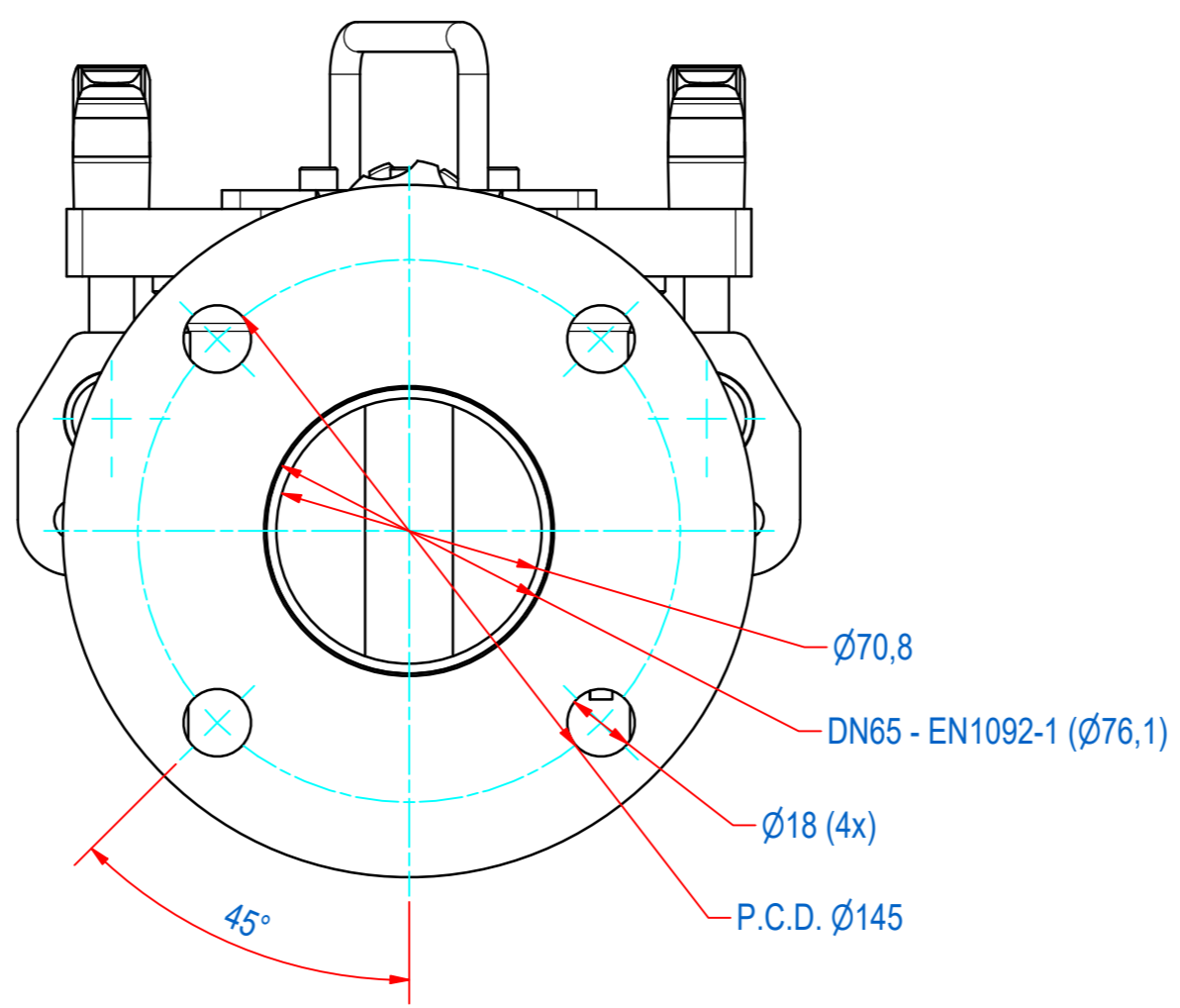
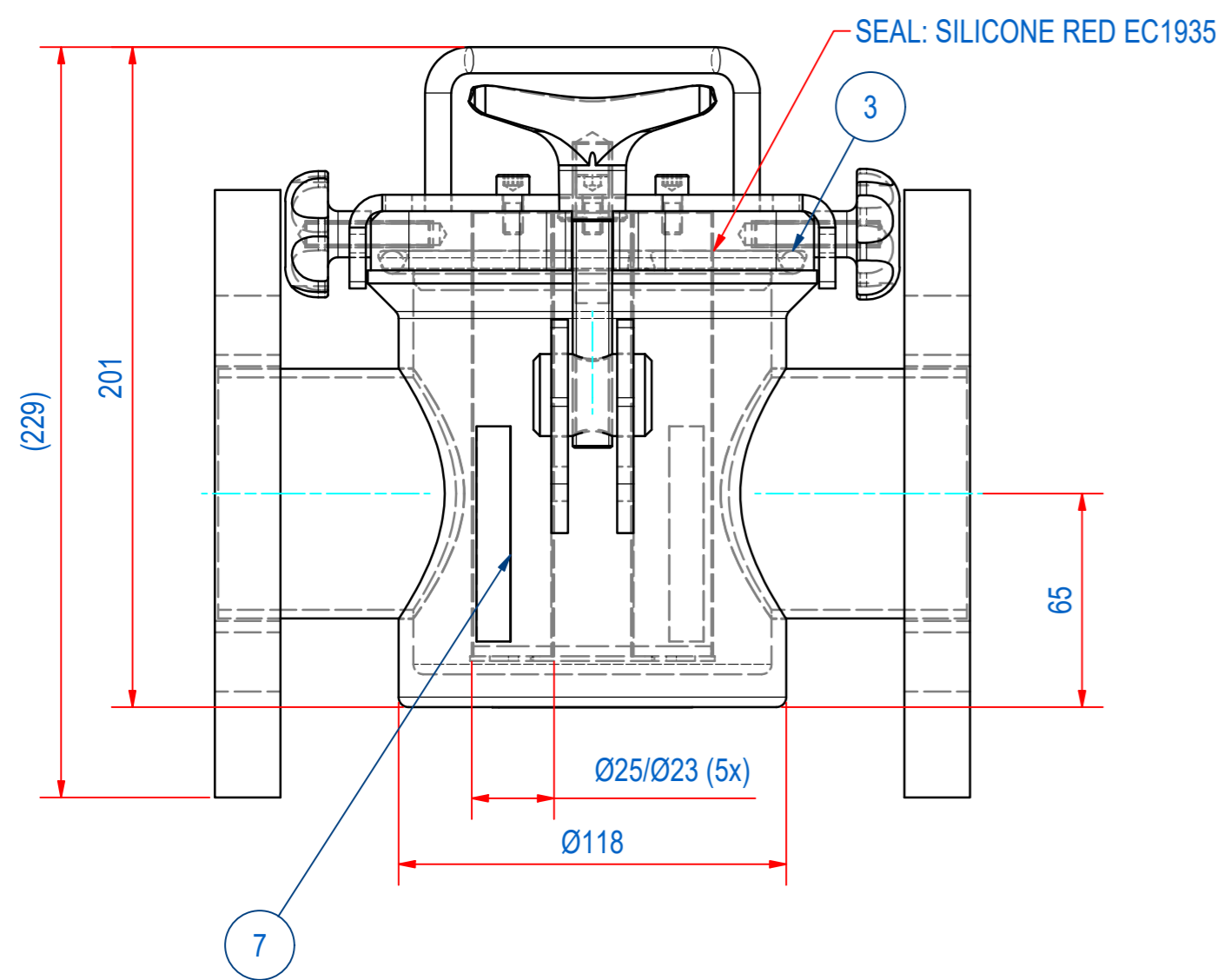
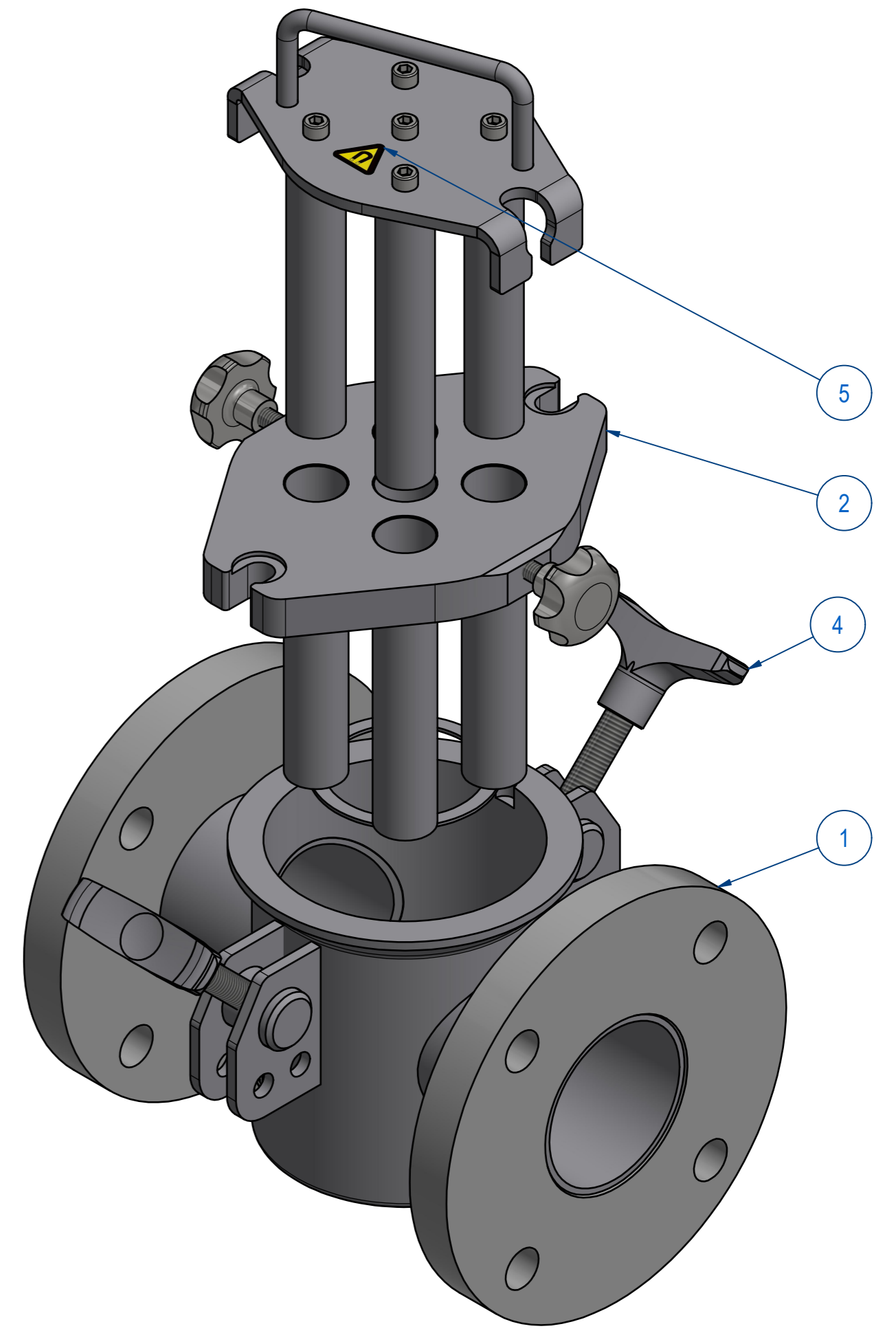
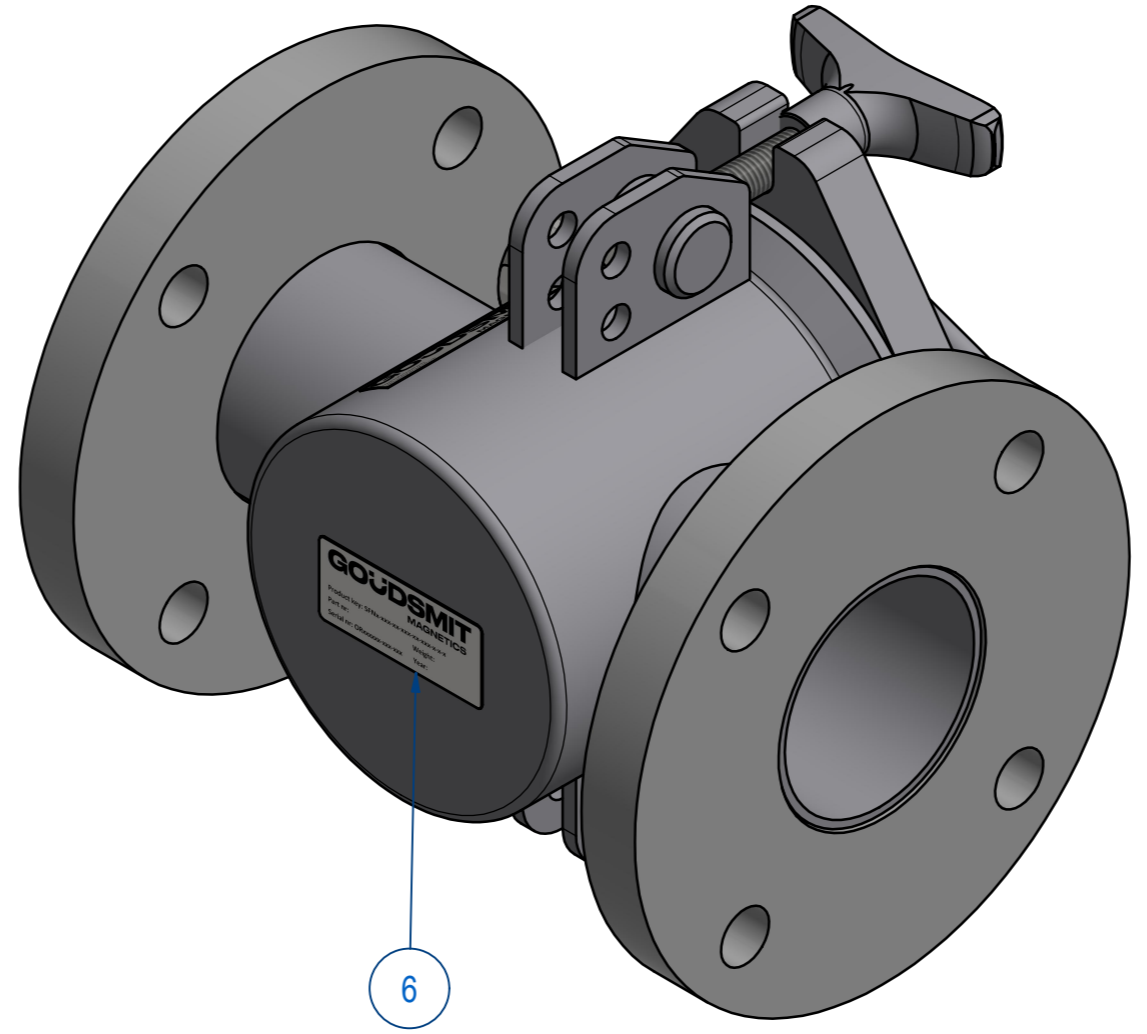
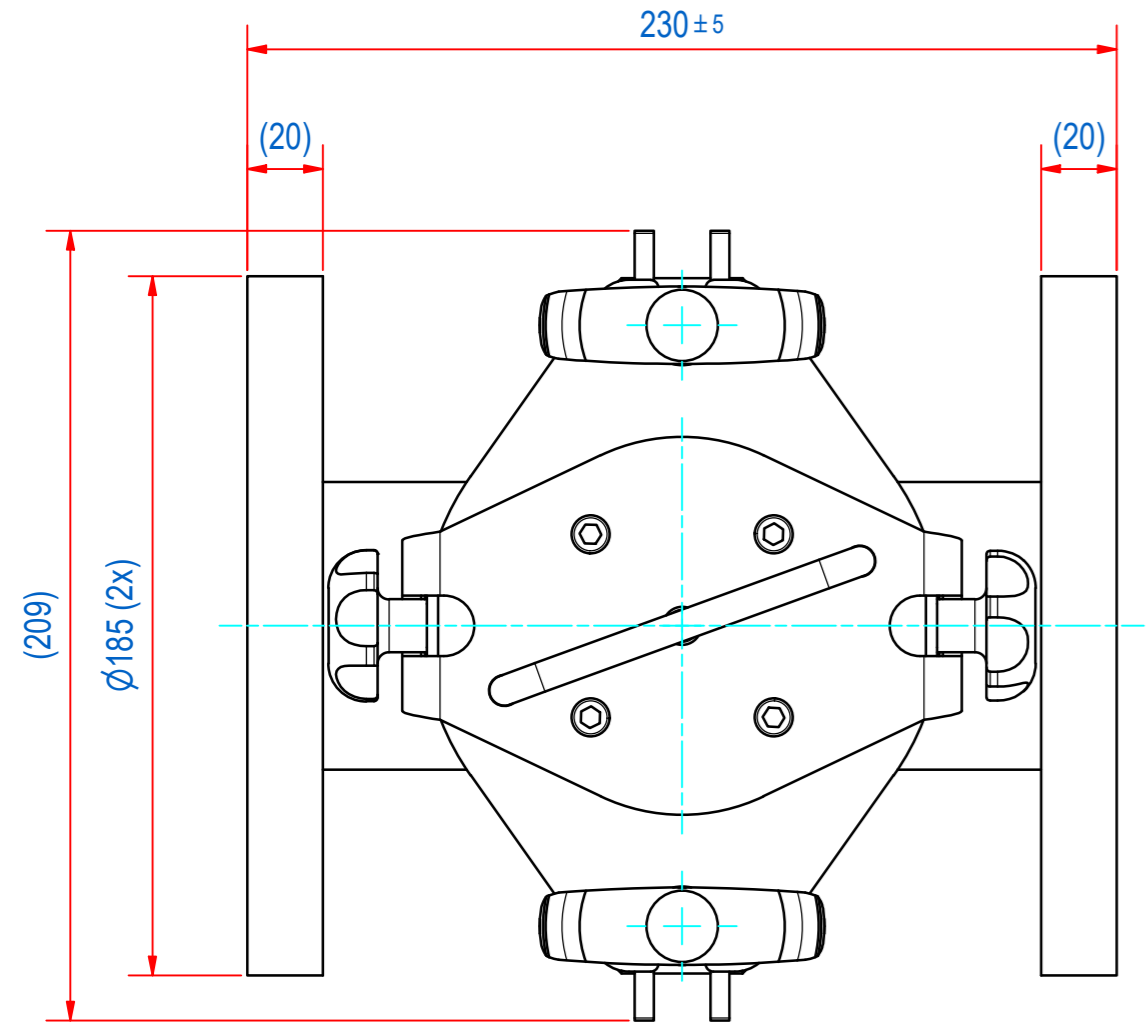


3	2	1
DOC.NR.	REV	DATE
SSFI006538	-	7-9-2020
BY	AvD	
DESCRIPTION		REFERENCE DRAWING E0133365 <MASTER MODEL>



ITEM	QTY	PART NUMBER	DESCRIPTION	Dimensions
7	2	E0093605	STICKER SFN-050 GSM	
6	1	E0086453	TYPE PLATE FILTER SFN	
5	1	1000.20080	STICKER MAGNETIC FIELD 20mm	
4	2	E0134041	TOGGLE M12 SFI-000	
3	1	78.1116700	O-RING Ø116,84x7 EC1935 SILIC.RED	
2	1	E0134168	FILTERTOP SFI-000-05E-HT	
1	1	E0134592	SFI-065 FILTER HOUSE EN1092-1	

RAW MAT.	Quantity	Material Number	Material Description	Length (mm)	Width (mm)
	1				

Sheet: <b>A2</b>	Extra info: <b>MAGNETIC FILTER</b>	General tolerance: <b>ISO 2768 - mK</b>
Drawn: <b>AvD</b>	Weight (kg): <b>16</b>	Drawn according: <b>ISO268; ISO1101; ISO2553</b>
Date: <b>7-9-2020</b>		Status: <b>Released</b>
Spare part: <b>False</b>	Source:	Customer reference number:
Quick search: <b>SFI065</b>		
Description: <b>SFI-065-IF-05E-HT-F1m-S-B-B-B</b>	Document number: <b>SSFI006538</b>	Doc.Rev: <b>-</b>
	Part number: <b>SSFI006538</b>	Rev: <b>-</b>