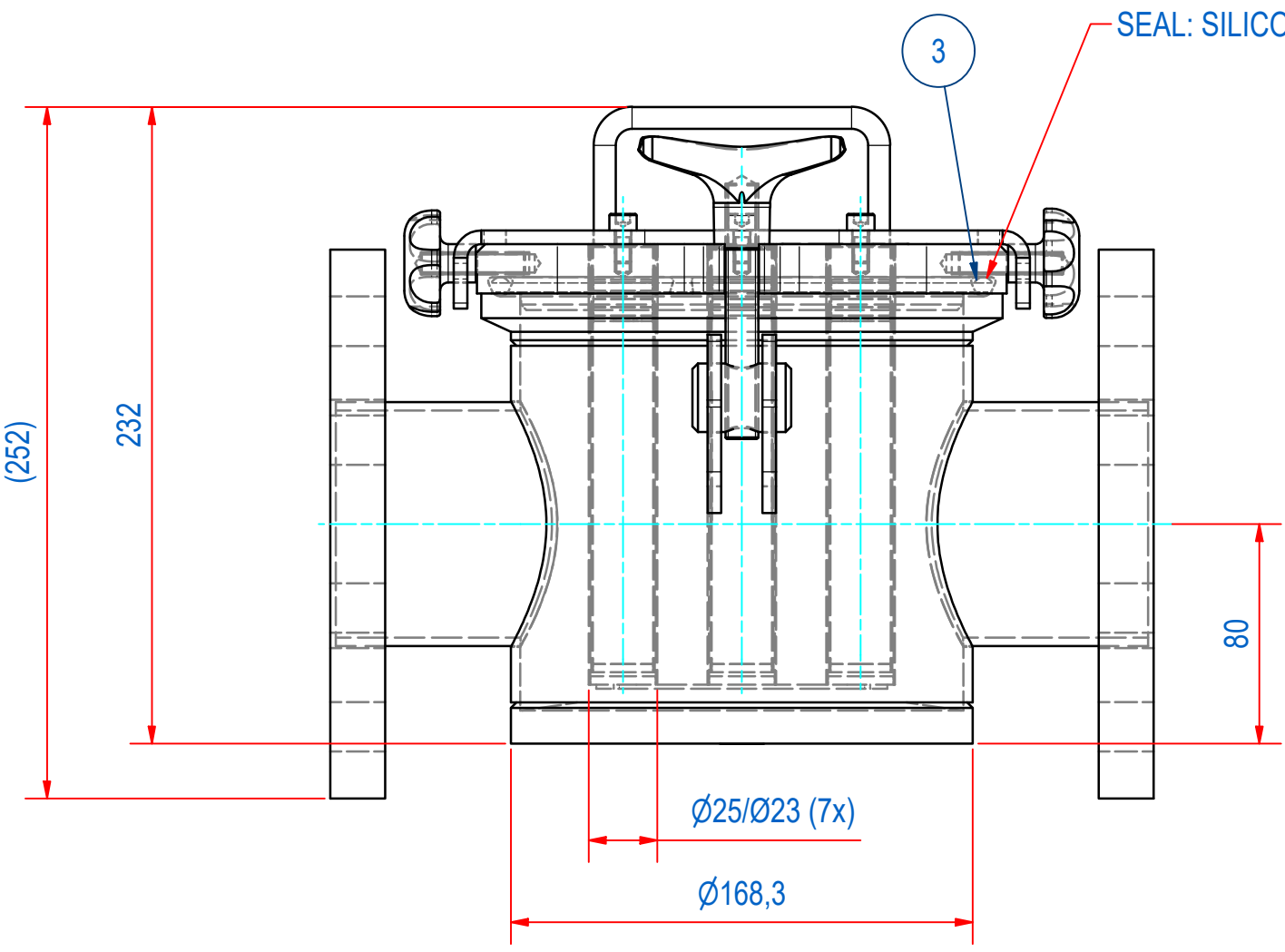
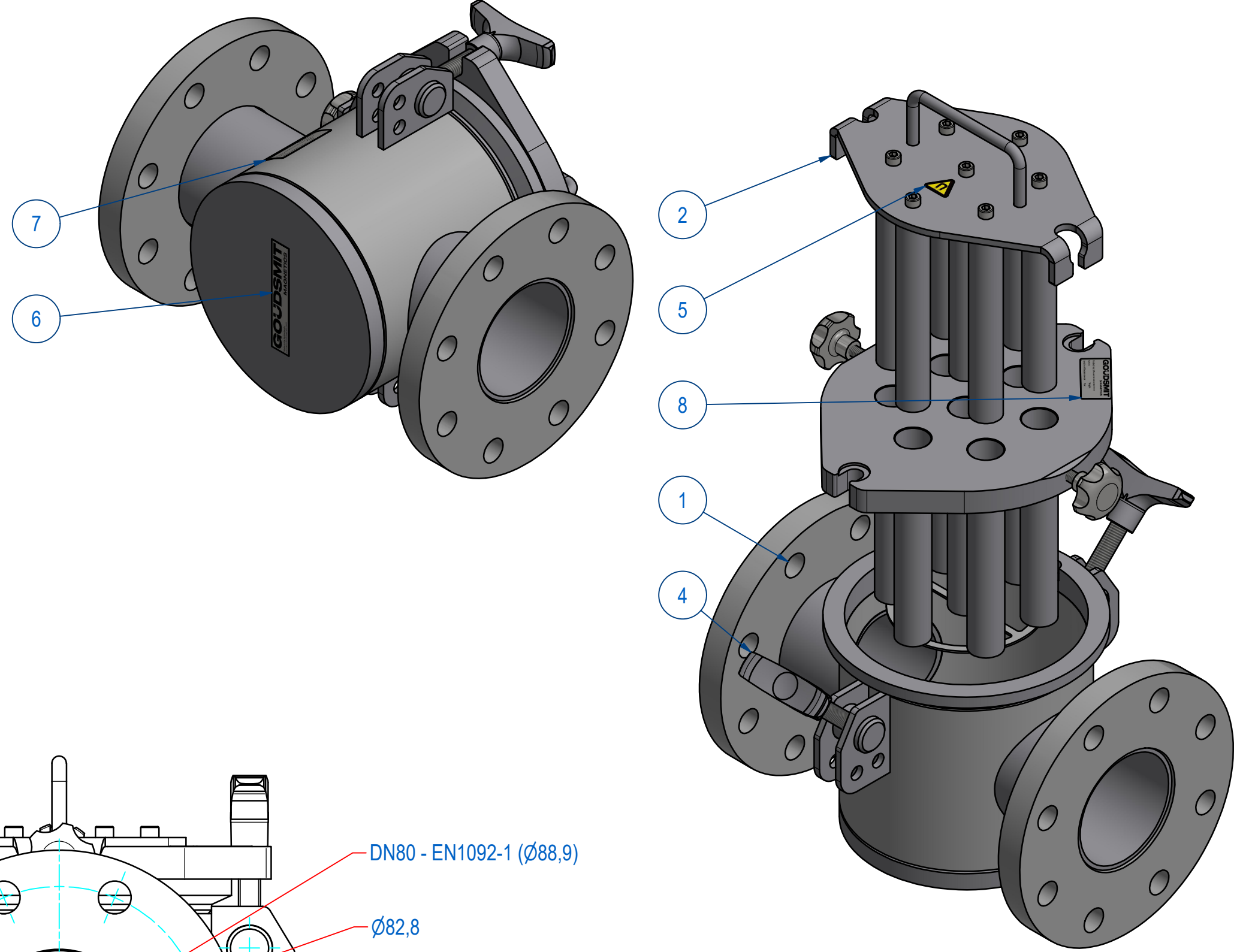
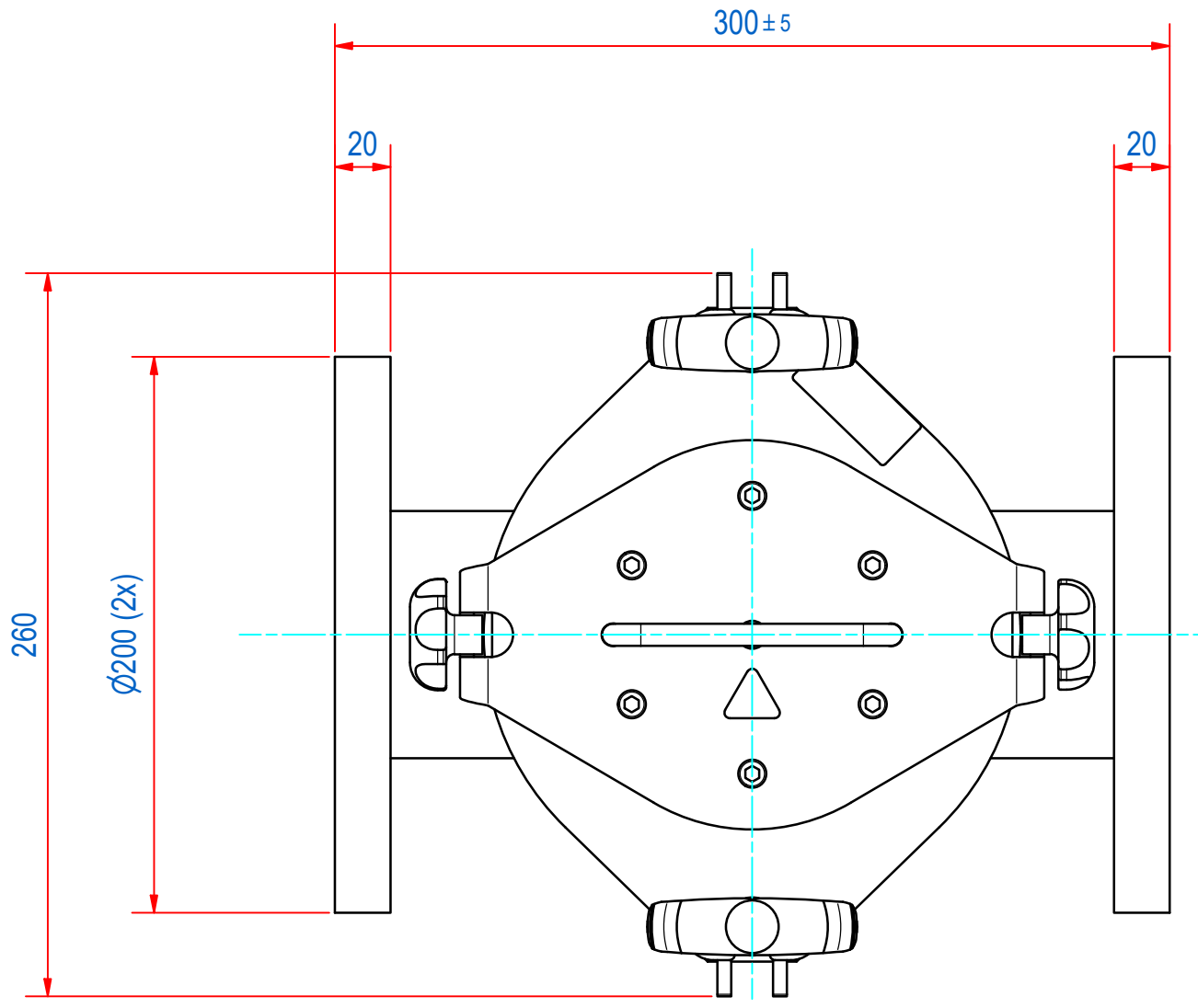
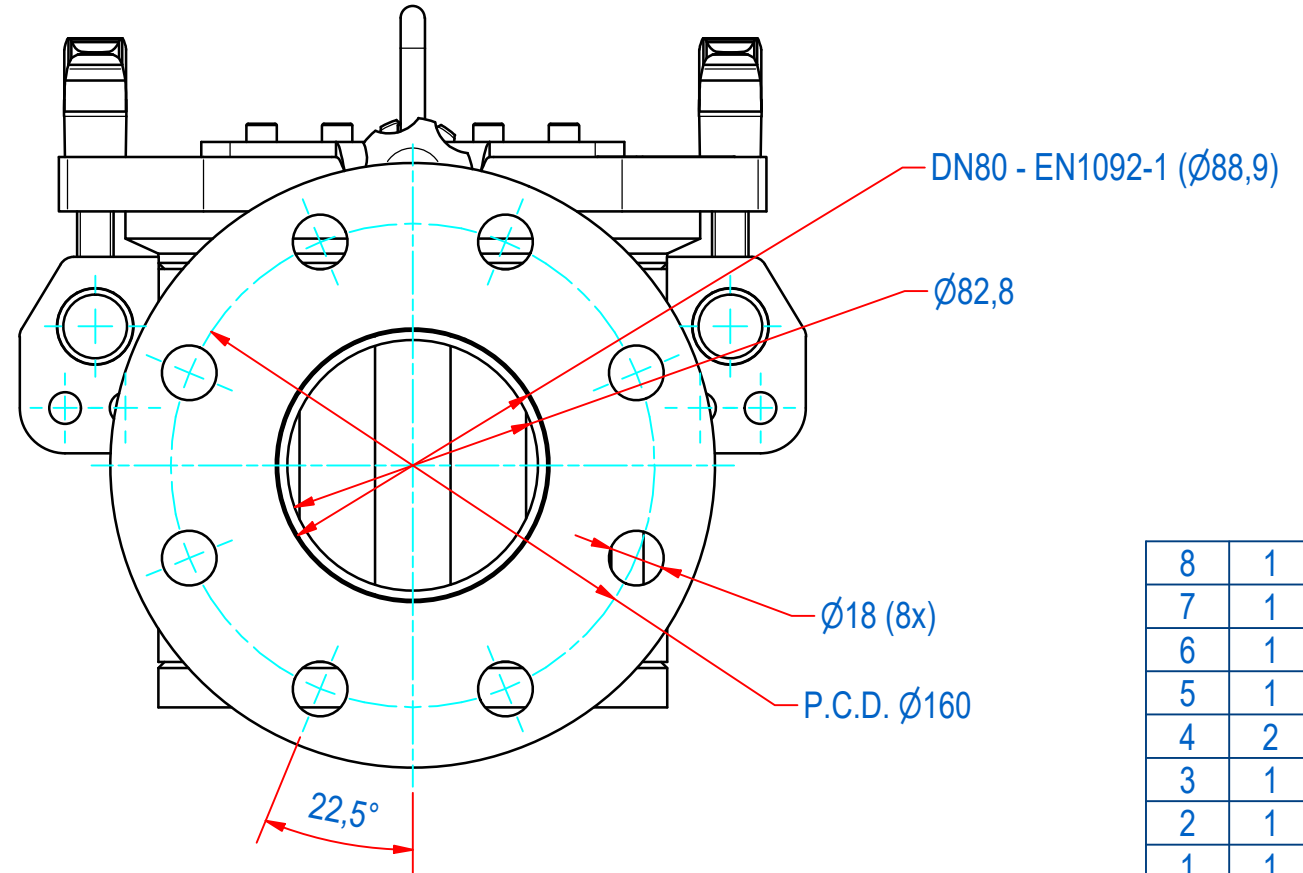


DOC.NR.	REV	DATE	BY	DESCRIPTION
SSF1008038	-	19-1-2021	AvD	REFERENCE DRAWING E0135527 <MASTER MODEL>



SEAL: SILICONE RED EC1935



ITEM	QTY	PART NUMBER	DESCRIPTION	Dimensions
8	1	E0139138	SFI-000 TYPE PLATE FILTER	
7	1	E0139166	SFI-000 TYPE PLATE HOUSE DN80/100/125	
6	1	1215.00406	NAME PLATE GOUDSMIT 87x16	
5	1	1000.20080	STICKER MAGNETIC FIELD 20mm	
4	2	E0134041	SFI-000 TOGGLE M12	
3	1	78.1171700	O-RING Ø171x7 EC1935 SILIC.RED	
2	1	E0134189	SFI-SPARE-000-07E-HT FILTER TOP	
1	1	E0138944	SFI-080 FILTER HOUSE EN1092-1	

RAW MAT.	Quantity	Material Number	Material Description	Length (mm)	Width (mm)
	1				

Sheet: <b>A2</b>	Extra info: <b>MAGNETIC FILTER</b>	General tolerance: <b>ISO 2768- mK</b>
Drawn: <b>AvD</b>	Weight (kg): <b>24</b>	Drawn according: <b>ISO268; ISO1101; ISO2553</b>
Date: <b>19-1-2021</b>		Status: <b>Released</b>
Spare part: <b>False</b>	Source:	Customer reference number:
Quick search: <b>SFI080</b>		
Description: <b>SFI-080-IF-07E-HT-F1m-S-B-B-B</b>	Document number: <b>SSF1008038</b>	Doc.Rev: <b>-</b>
	Part number: <b>SSF1008038</b>	Rev: <b>-</b>