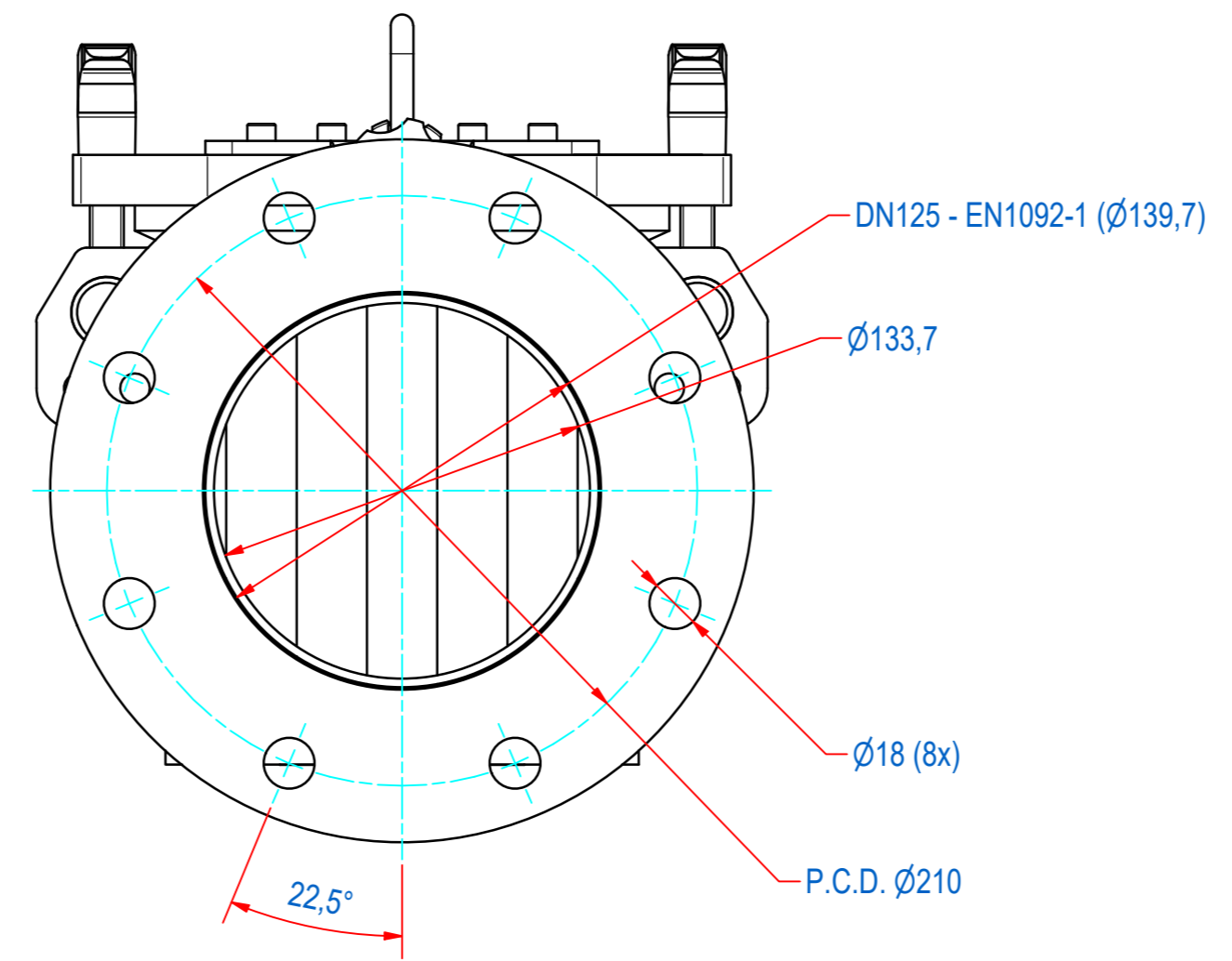
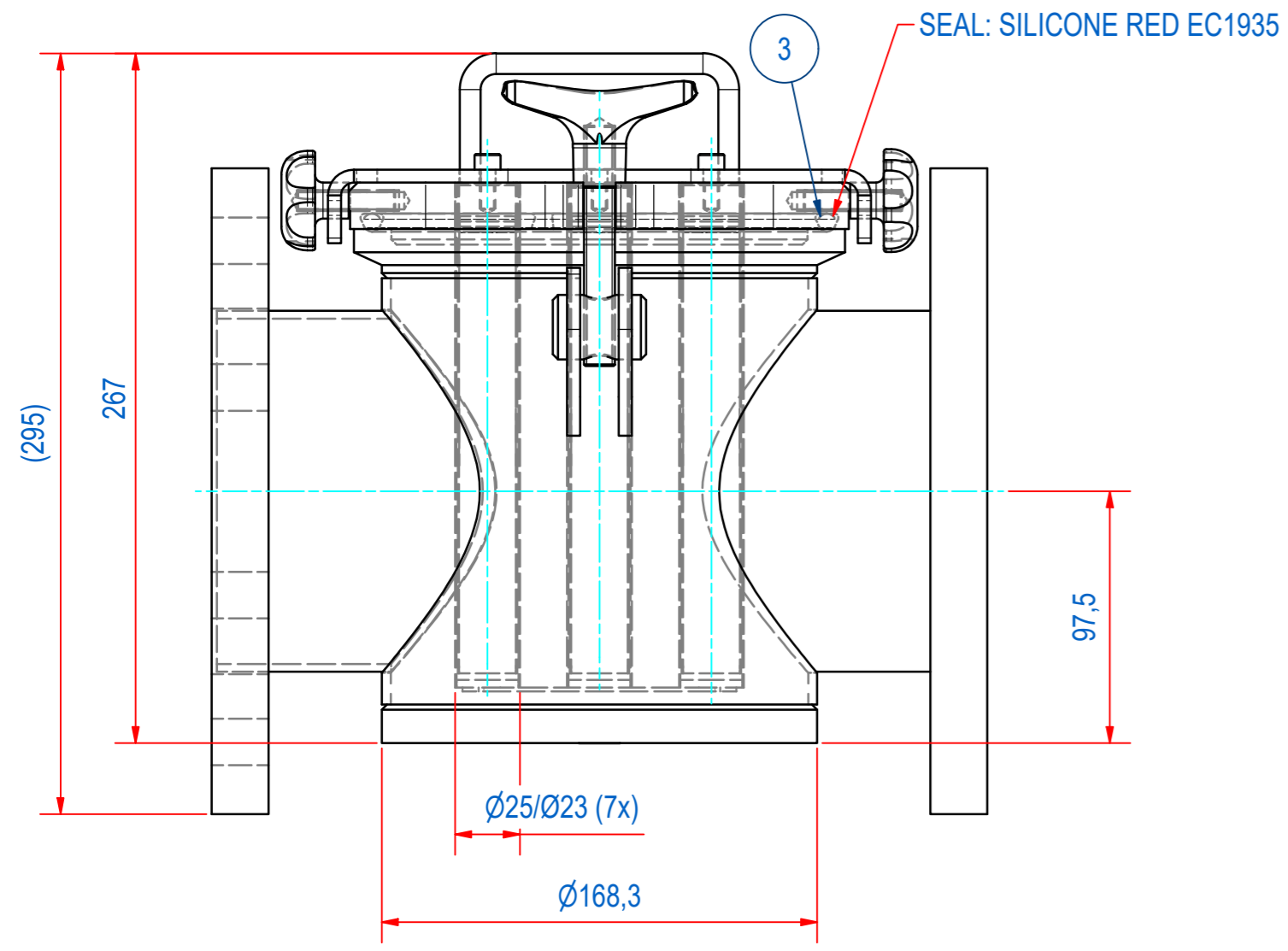
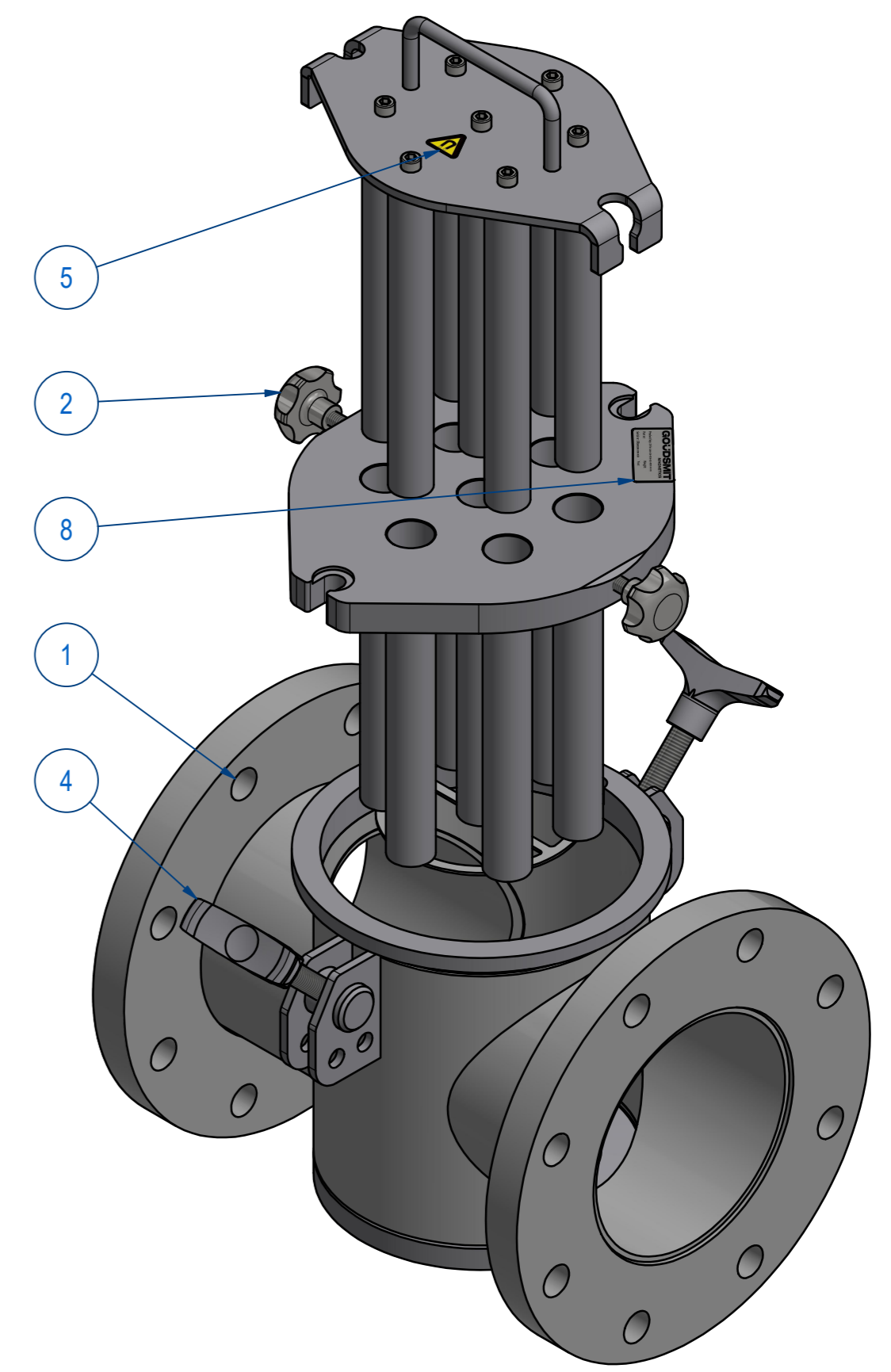
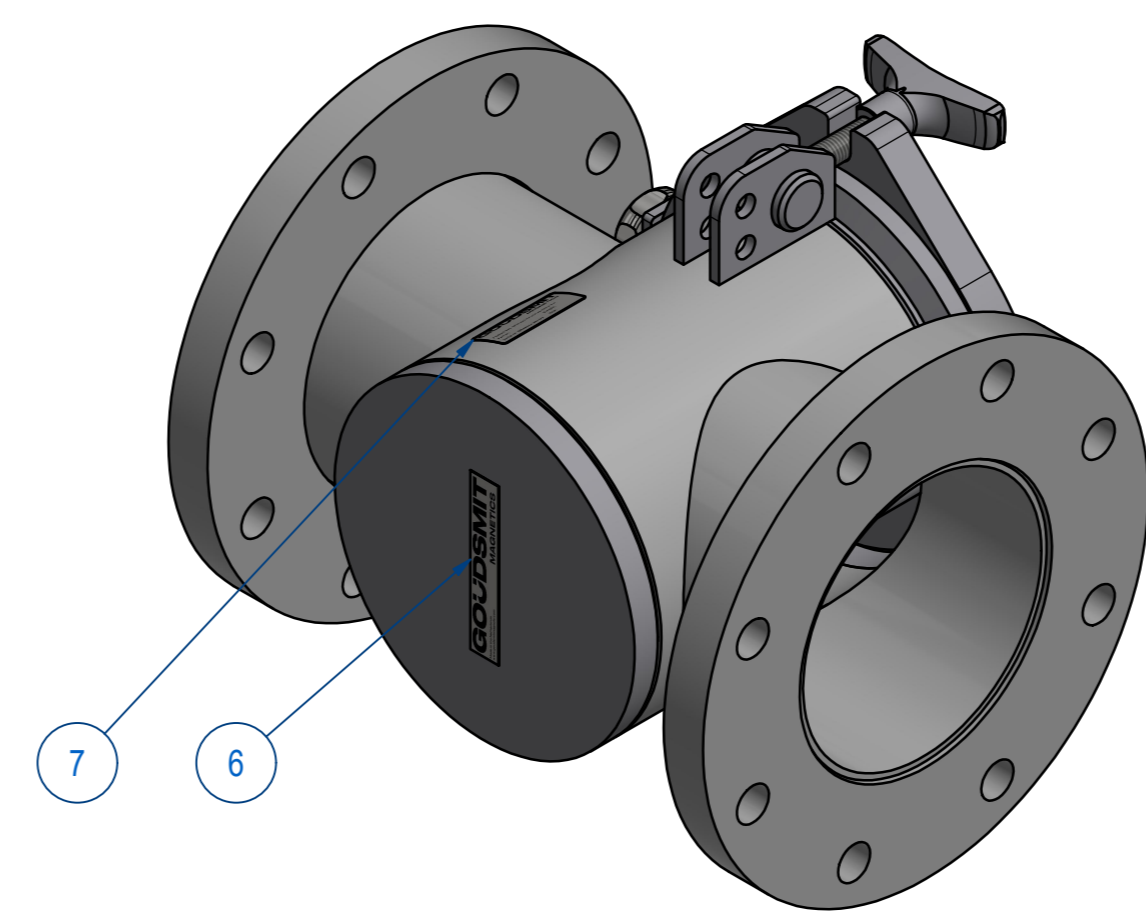
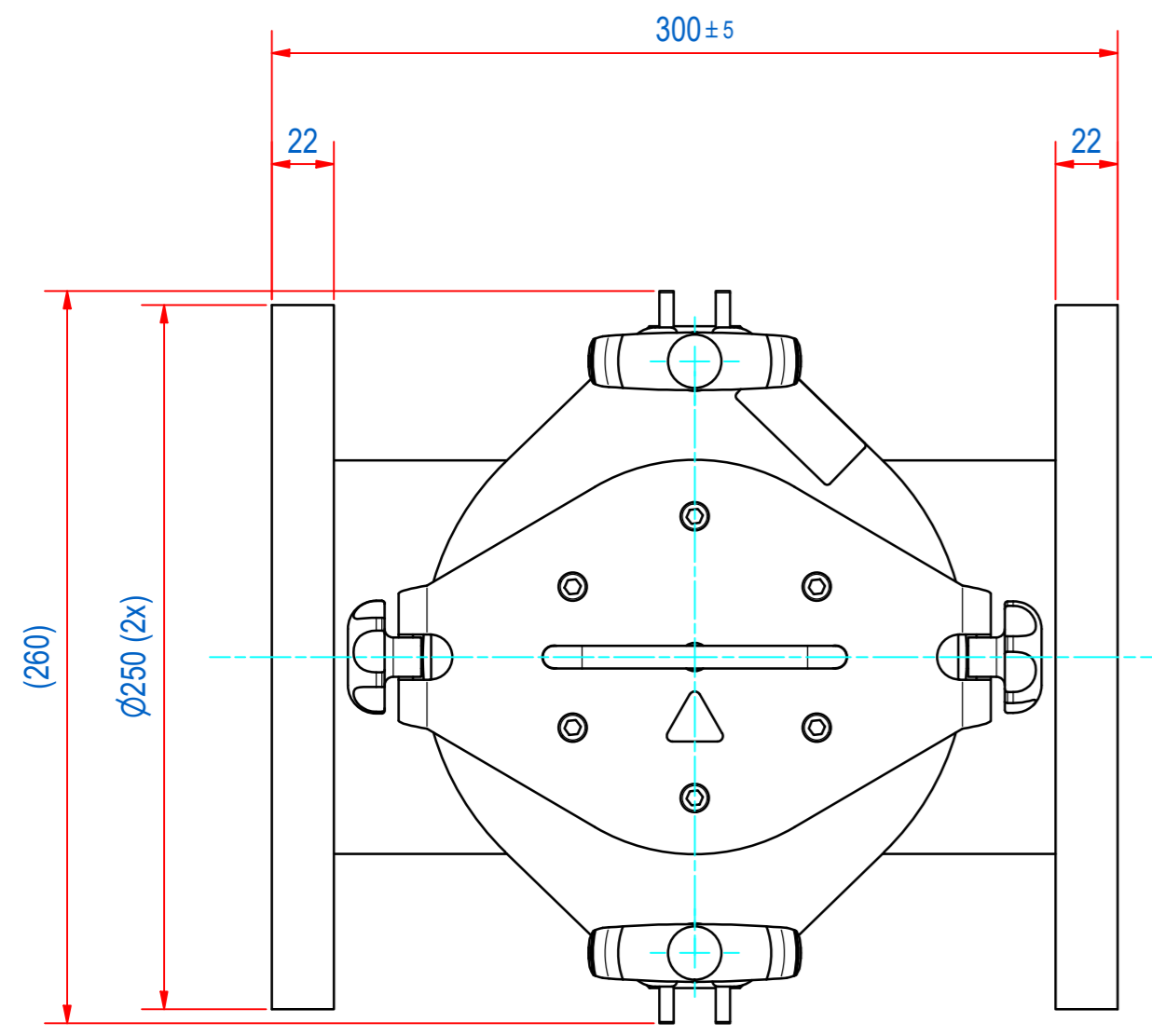


DOC.NR.	REV	DATE	BY	DESCRIPTION
SSF1012538	-	18-1-2021	AvD	REFERENCE DRAWING E0139015 <MASTER MODEL>



ITEM	QTY	PART NUMBER	DESCRIPTION	Dimensions
8	1	E0139138	SFI-000 TYPE PLATE FILTER	
7	1	E0139166	SFI-000 TYPE PLATE HOUSE DN80/100/125	
6	1	1215.00406	NAME PLATE GOUDSMIT 87x16	
5	1	1000.20080	STICKER MAGNETIC FIELD 20mm	
4	2	E0134041	SFI-000 TOGGLE M12	
3	1	78.1171700	O-RING Ø171x7 EC1935 SILIC.RED	
2	1	E0135347	SFI-SPARE-125-07E-HT FILTER TOP	
1	1	E0135338	SFI-125 FILTER HOUSE EN1092-1	

RAW MAT.	Quantity	Material Number	Material Description	Length (mm)	Width (mm)
1	1				

Sheet: A2	Extra info: MAGNETIC FILTER	General tolerance: ISO 2768- mK
Drawn: AvD	Weight (kg): 29	Drawn according: ISO268; ISO1101; ISO2553
Date: 18-1-2021		Status: Released
Spare part: False	Source:	Customer reference number:
Quick search: SFI125		
Description: SFI-125-IF-07E-HT-F1m-S-B-B-B	Document number: SSF1012538	Doc.Rev: -
	Part number: SSF1012538	Rev: -