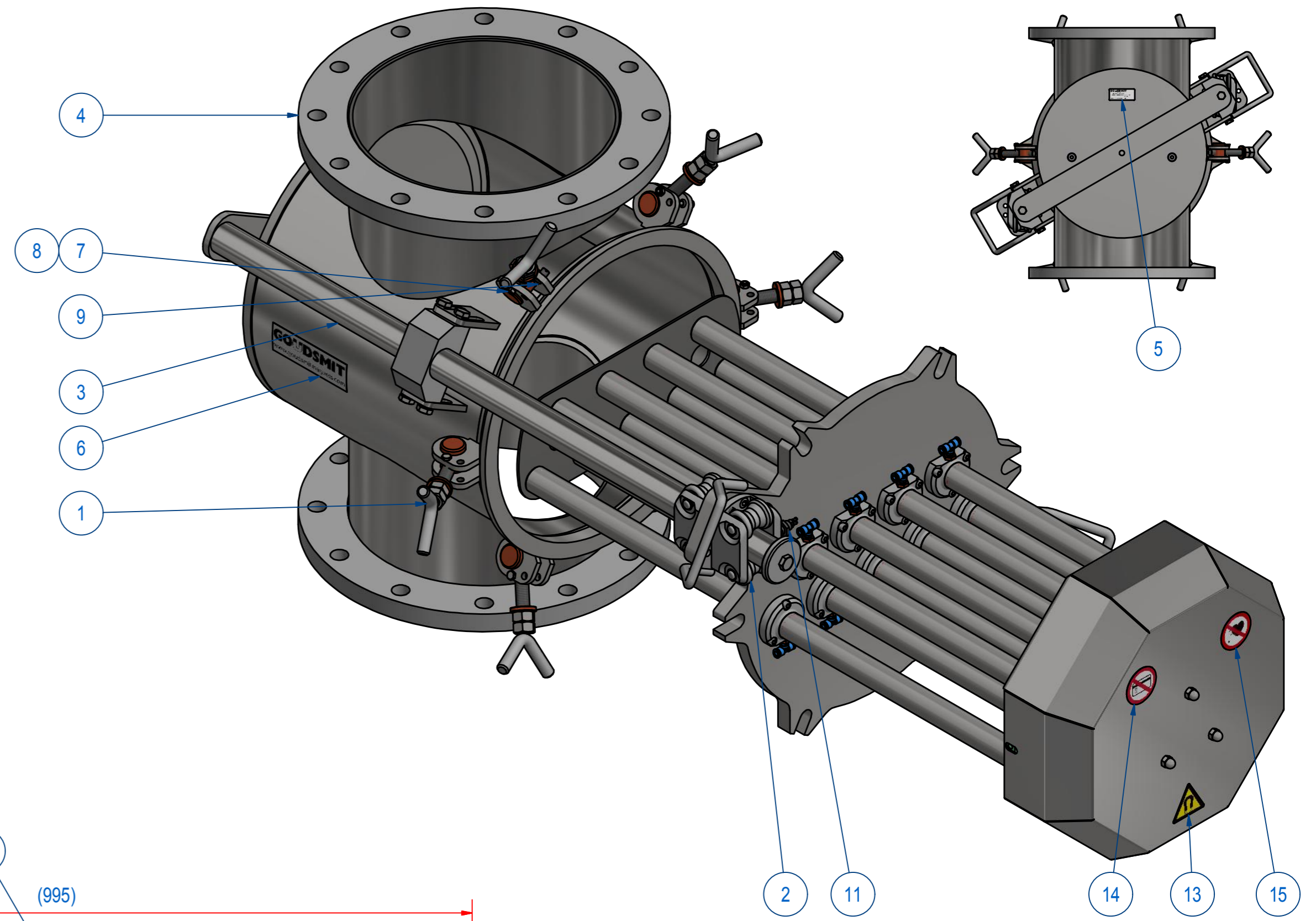
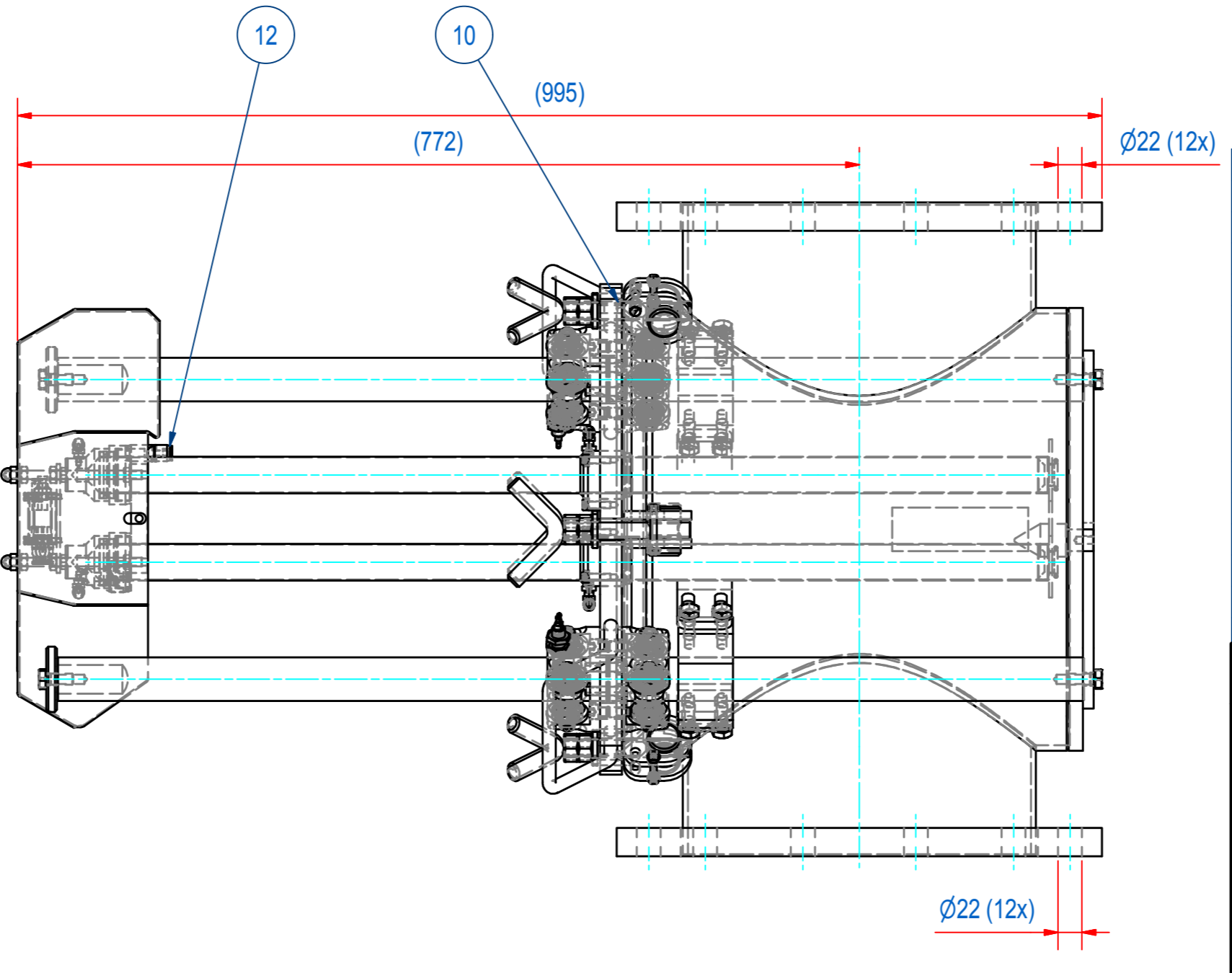
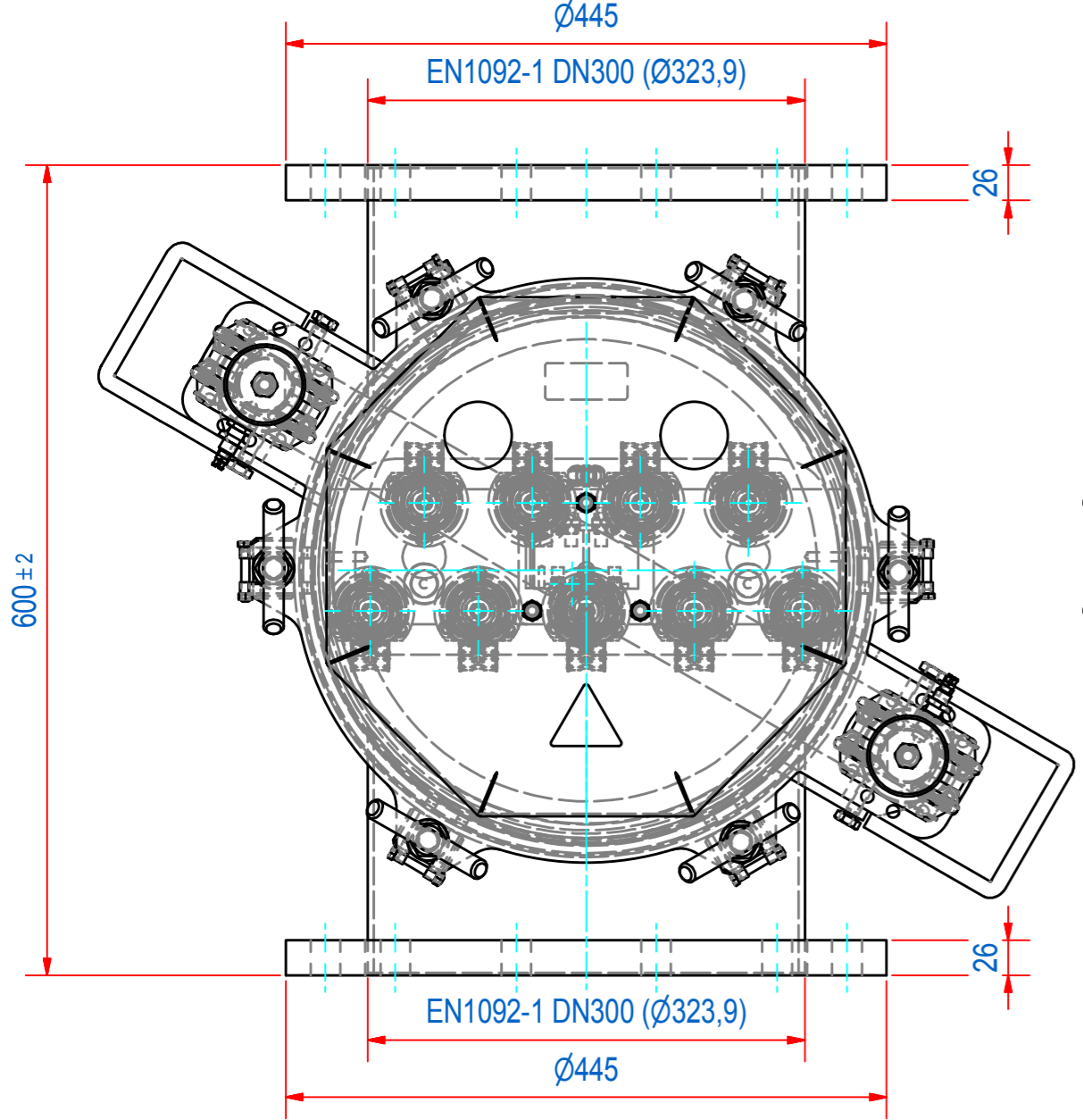
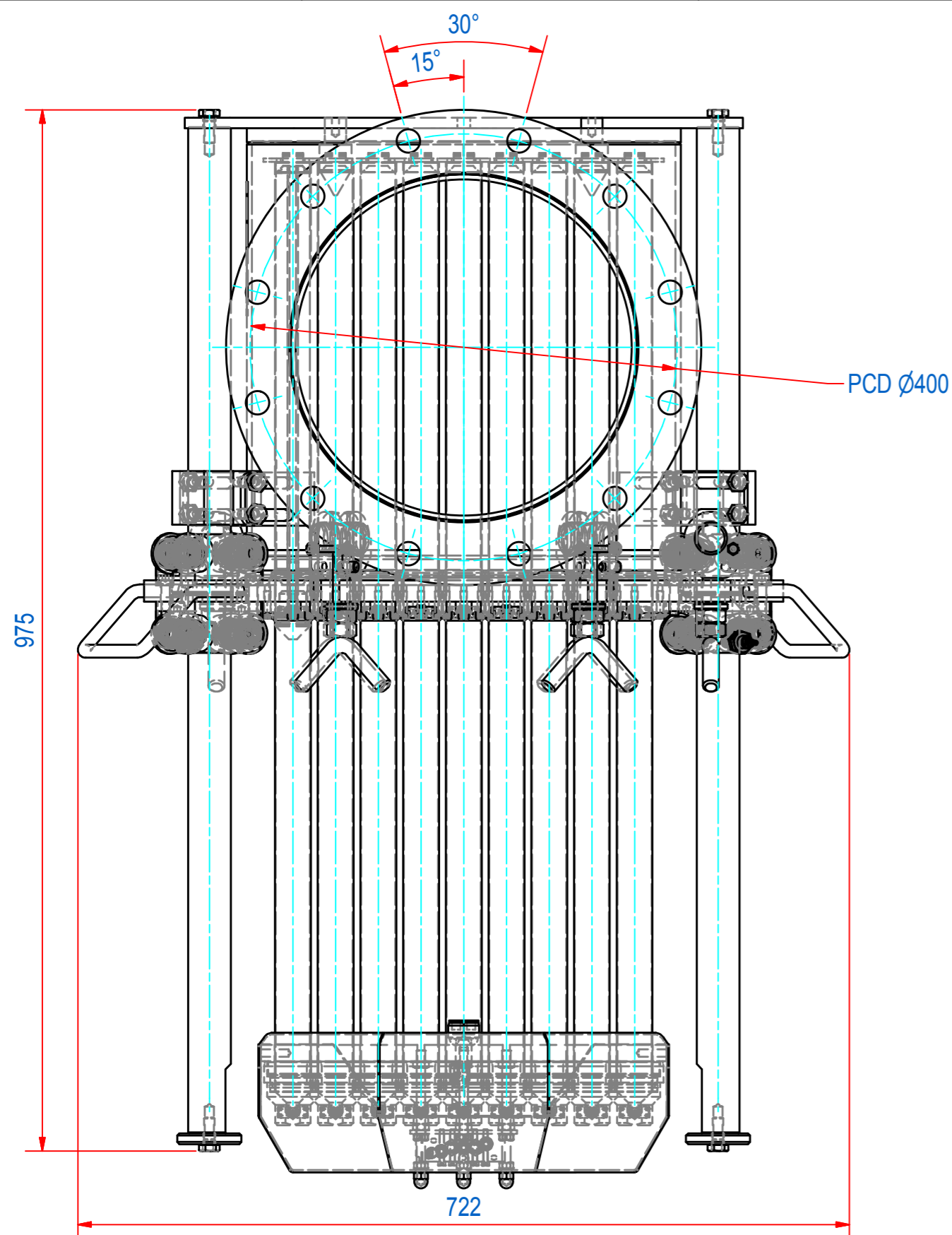


DOC.NR.	REV	DATE	BY	DESCRIPTION
SSFNP30038	A	15-1-2016	CR	NOTHING CHANGED
SSFNP30038	B	17-2-2017	AvD	SEVERAL CHANGES
SSFNP30038	C	4-12-2018	CR	TYPE PLATE AND WARNING STICKERS ADDED



ITEM	QTY	PART NUMBER	DESCRIPTION	Dimensions
15	1	1000.20056	STICK. PACEMAKER FORB. D=50	
14	1	1000.20055	STICKER MAGN. CARD FORB. D=50	
13	1	1000.20030	STICKER MAGNETIC FIELD small	
12	1	83.2570005	PUSH-IN Y-CONNECTOR QSY-8	
11	1	83.1500044	VALVE (SENSOR) 3/2 SVK-3-PK-3	
10	1	78.1405700	O-RING Ø405.26xØ7 EC1935	
9	2	59.0000008	SLOT. SPRING PLUNGER M10X19 SS	
8	6	60.0200006	NUT, HEX M6 - A2	M6
7	6	50.1206040	BOLT, HEX M6x40 - A2	M6x40
6	1	E0106227	NAME PLATE FILTER DN300	
5	1	E0086453	TYPE PLATE FILTER SFN	
4	1	A120659	FS300 FILTER HOUSE EN1092-1	
3	2	A120625	FSN300 ALIGNMENT ROD D40	
2	1	A120618	FS300 TOP PNEU D34 ASSY WHEELS	
1	6	A120504	FS000 TOGGLE SET M16	

RAW MAT.	Quantity	Material Number	Material Description	Length (mm)	Width (mm)																										
<table border="0"> <tr> <td>Sheet: A2</td> <td>Extra info:</td> <td>General tolerance: ISO 2768 - mK</td> </tr> <tr> <td>Drawn: TD</td> <td>Weight (kg): 176,8</td> <td>Drawn according: ISO268; ISO1101; ISO2553</td> </tr> <tr> <td>Date: 14-6-2011</td> <td></td> <td>Status: Standard</td> </tr> <tr> <td>Spare part: False</td> <td></td> <td>Customer reference number:</td> </tr> <tr> <td>Quick search: FS300</td> <td colspan="2" rowspan="2"> </td> <td>Document number: SSFNP30038</td> </tr> <tr> <td>Description: SFN-300-IF-09Q-HT-F1M-S-B-B</td> <td>Doc.Rev: C</td> </tr> <tr> <td colspan="3"></td> <td>Part number: SSFNP30038</td> </tr> <tr> <td colspan="3"></td> <td>Rev: C</td> </tr> </table>						Sheet: A2	Extra info:	General tolerance: ISO 2768 - mK	Drawn: TD	Weight (kg): 176,8	Drawn according: ISO268; ISO1101; ISO2553	Date: 14-6-2011		Status: Standard	Spare part: False		Customer reference number:	Quick search: FS300			Document number: SSFNP30038	Description: SFN-300-IF-09Q-HT-F1M-S-B-B	Doc.Rev: C				Part number: SSFNP30038				Rev: C
Sheet: A2	Extra info:	General tolerance: ISO 2768 - mK																													
Drawn: TD	Weight (kg): 176,8	Drawn according: ISO268; ISO1101; ISO2553																													
Date: 14-6-2011		Status: Standard																													
Spare part: False		Customer reference number:																													
Quick search: FS300			Document number: SSFNP30038																												
Description: SFN-300-IF-09Q-HT-F1M-S-B-B			Doc.Rev: C																												
			Part number: SSFNP30038																												
			Rev: C																												