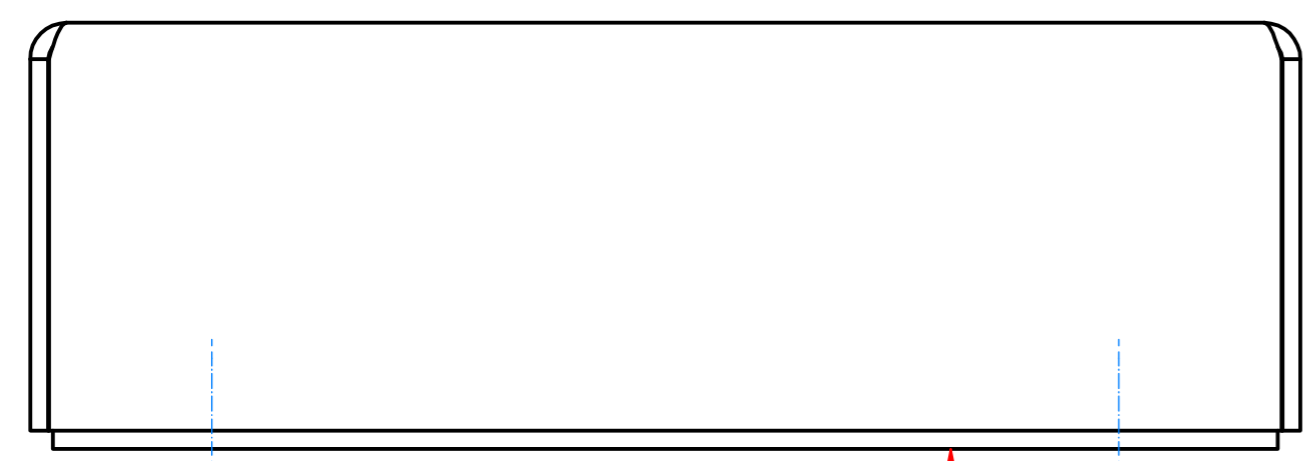
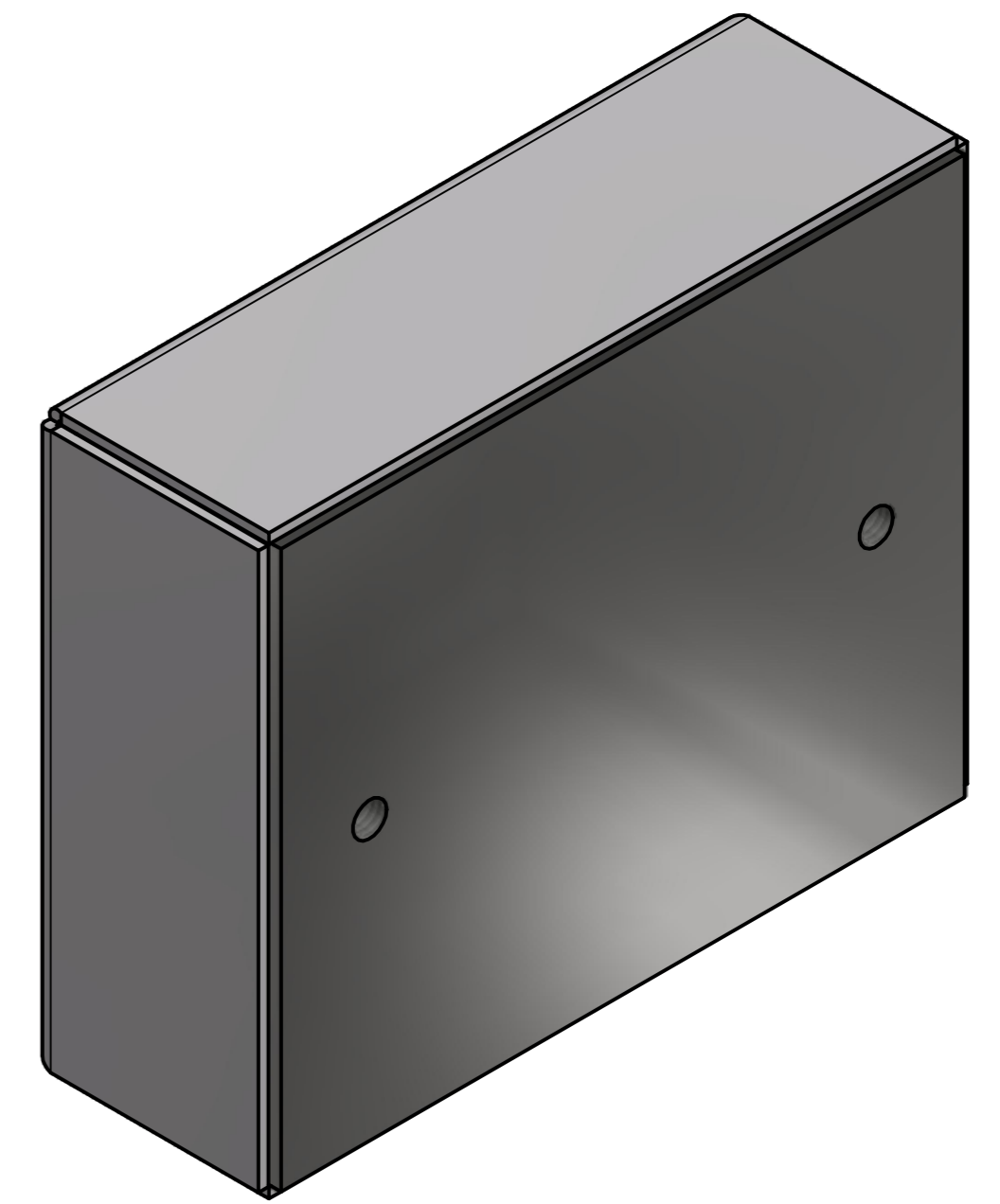
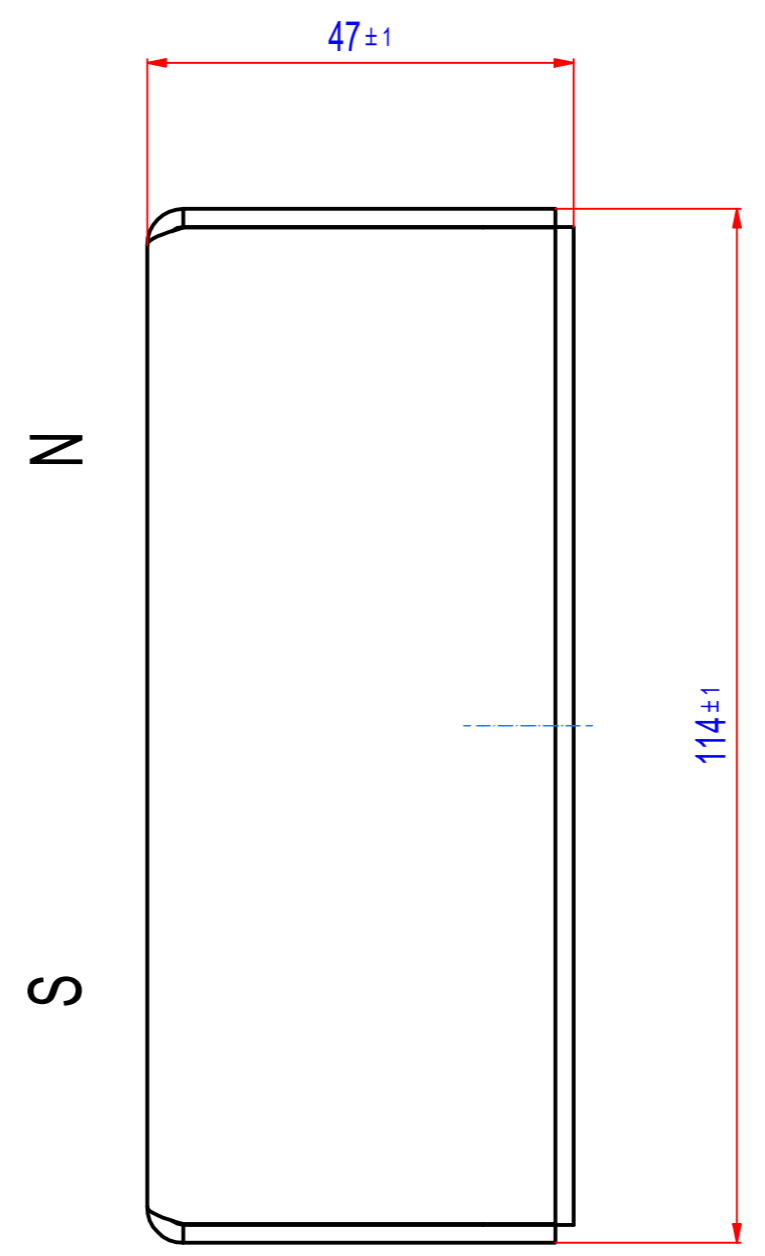
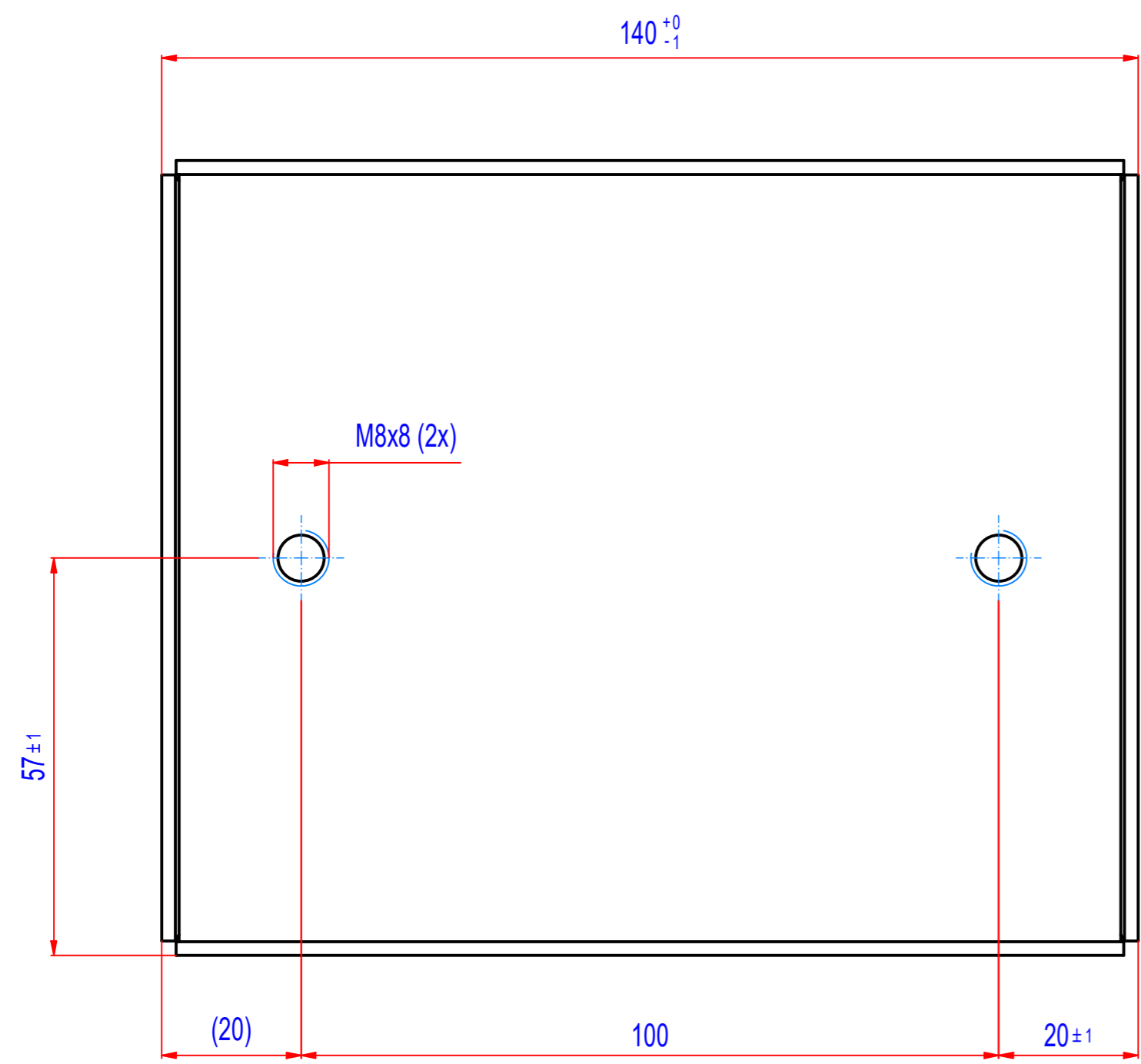


REV	DATE	BY	DESCRIPTION
-	16.10.2023	EN	New Vault, nothing changed



▧ 1,5

	Sheet: A2	Extra info:	General tolerance: ISO 2768 - cL
Drawn: LF	Weight (kg): 3.8		Drawn according: ISO268; ISO1101; ISO2553
Date: 16.10.2023	Predecessor:		Status:
Quick search:	© All rights reserved. Reproduction is not permitted without written permission of GOUDSMIT Magnetic Systems BV		Customer reference number:
Description: Plate magnet, ferrite, 114x47, L=140	Part number: SVMF010140	Product key: SVM-F-114x47-0140-B-F0E	Rev: -