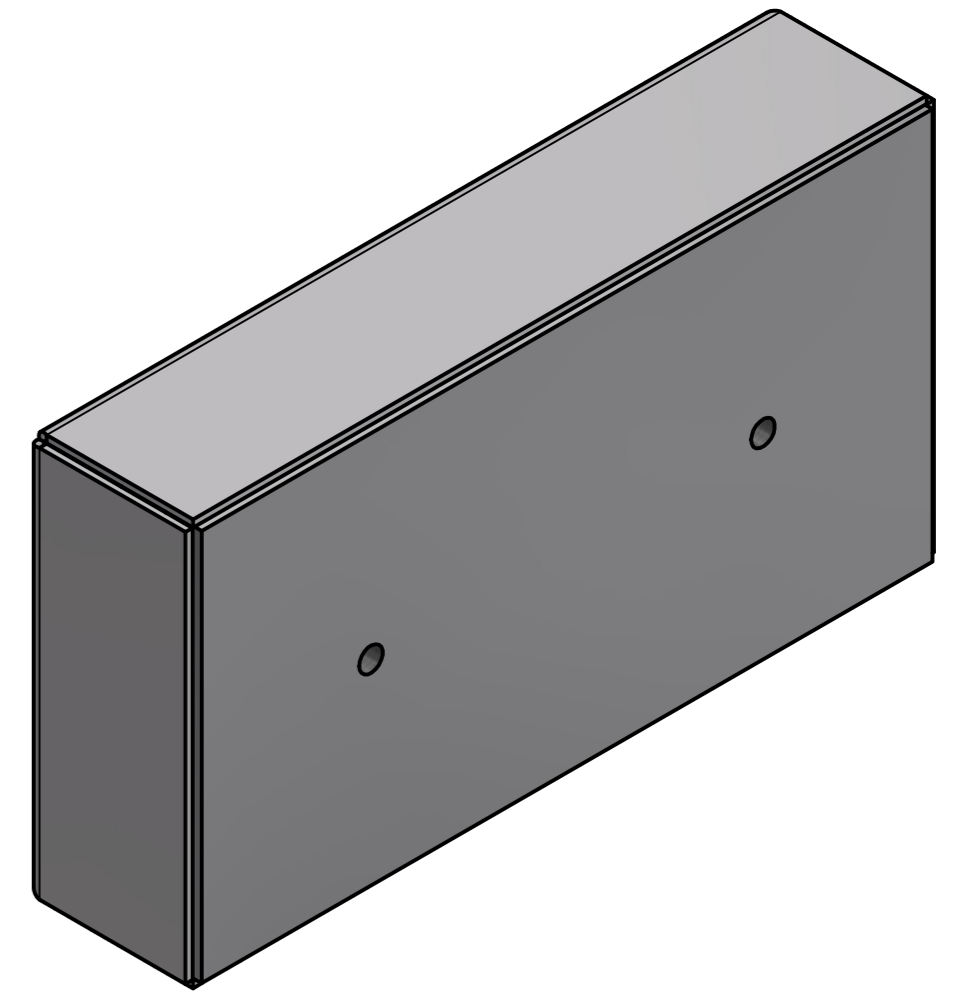
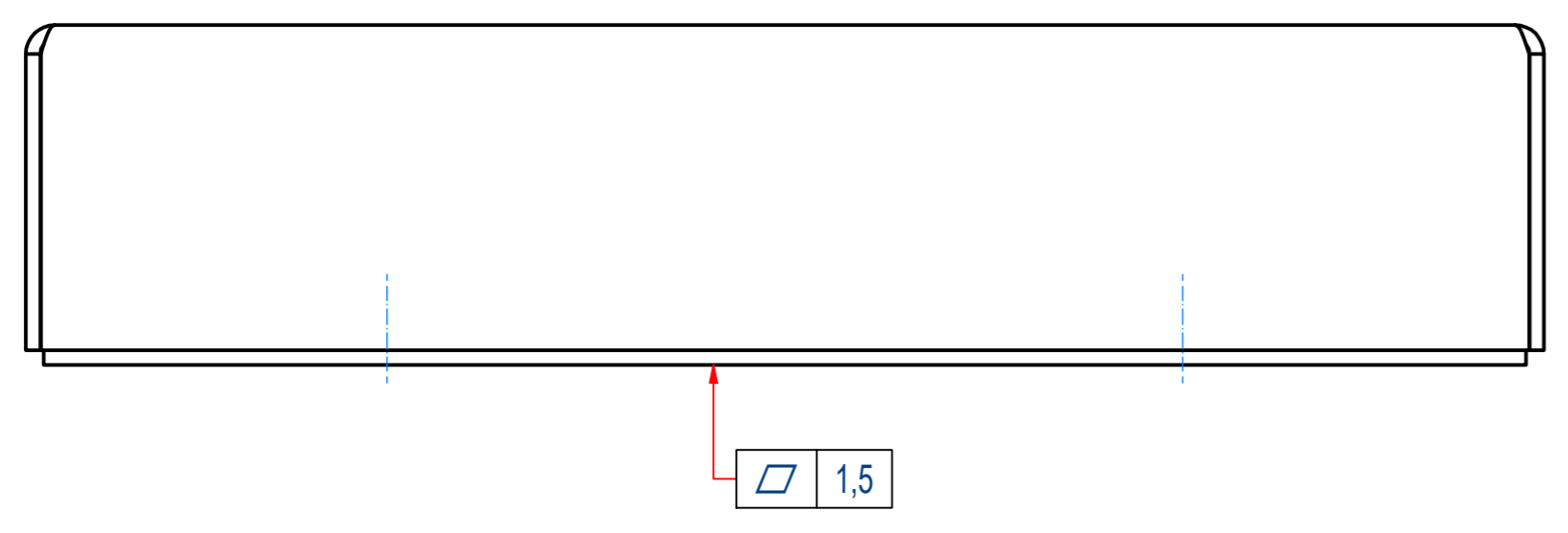
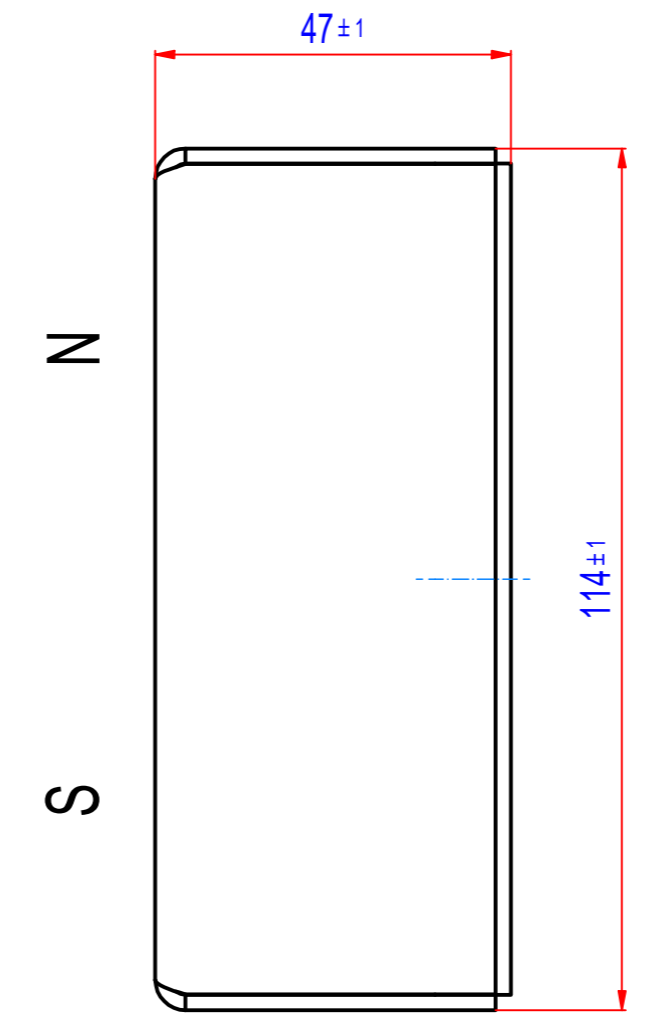
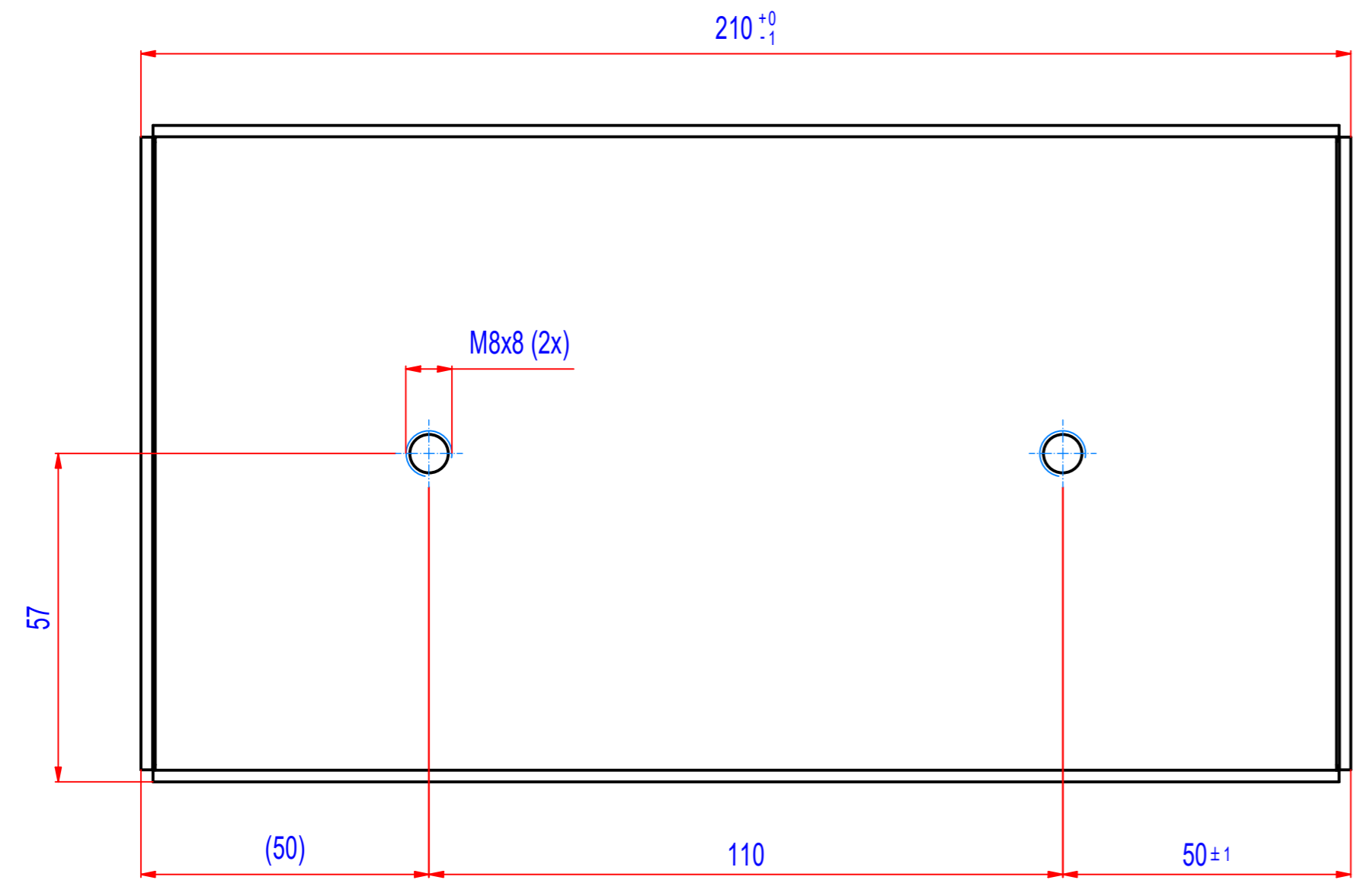


REV	DATE	BY	DESCRIPTION
-	16.10.2023	EN	New Vault, nothing changed



Sheet: A2	Extra info:	General tolerance: ISO 2768 - cL
Drawn: EN	Weight (kg): 5.6	Drawn according: ISO268; ISO1101; ISO2553
Date: 16.10.2023		Status:
Predecessor:		Customer reference number:
Quick search:	© All rights reserved. Reproduction is not permitted without written permission of GOUDSMIT Magnetic Systems BV	Product key: SVM-F-114x47-0210-B-F0E
Description: Plate magnet, ferrite 114x47, L=210	Part number: SVMF010210	Rev: -