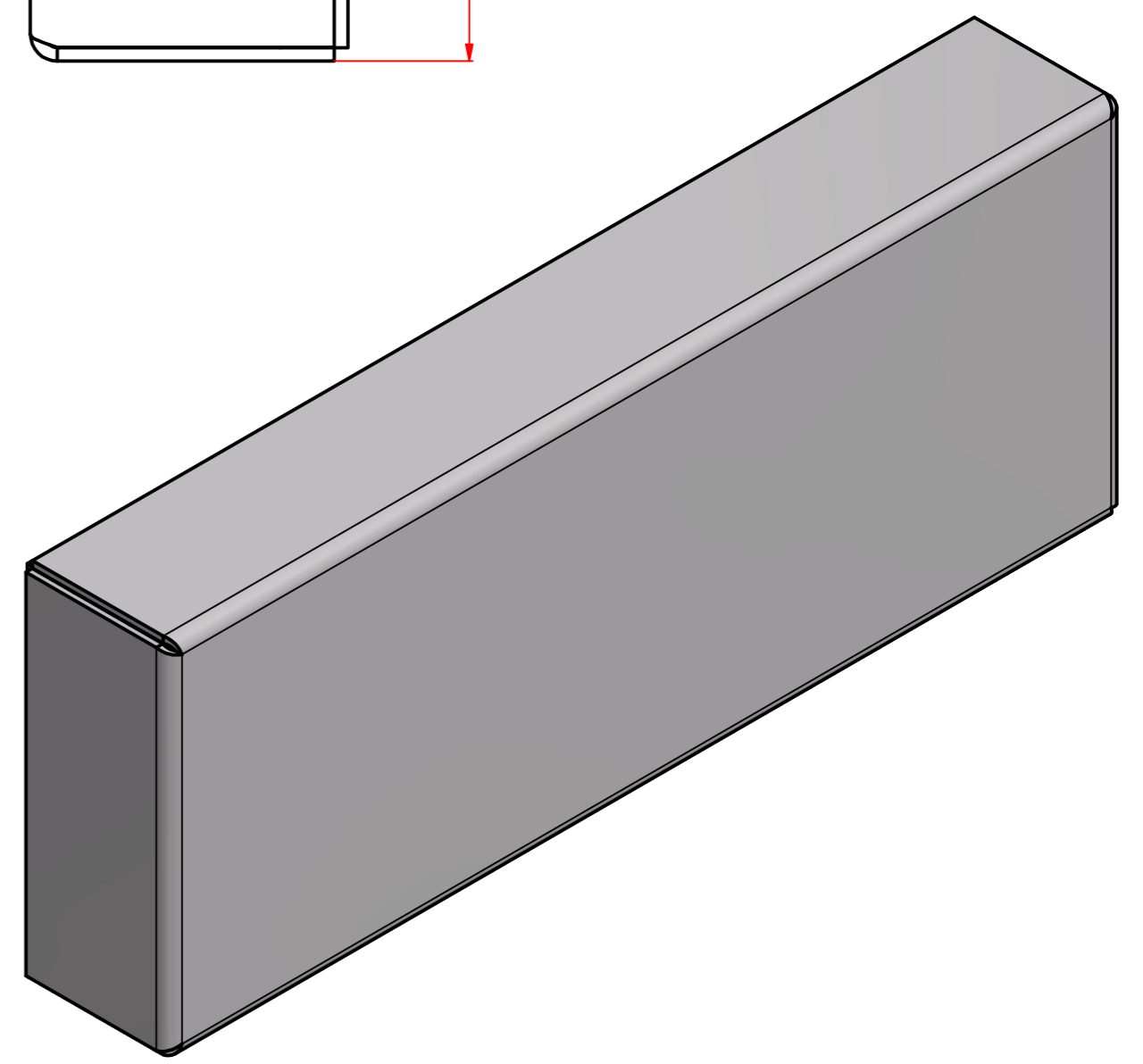
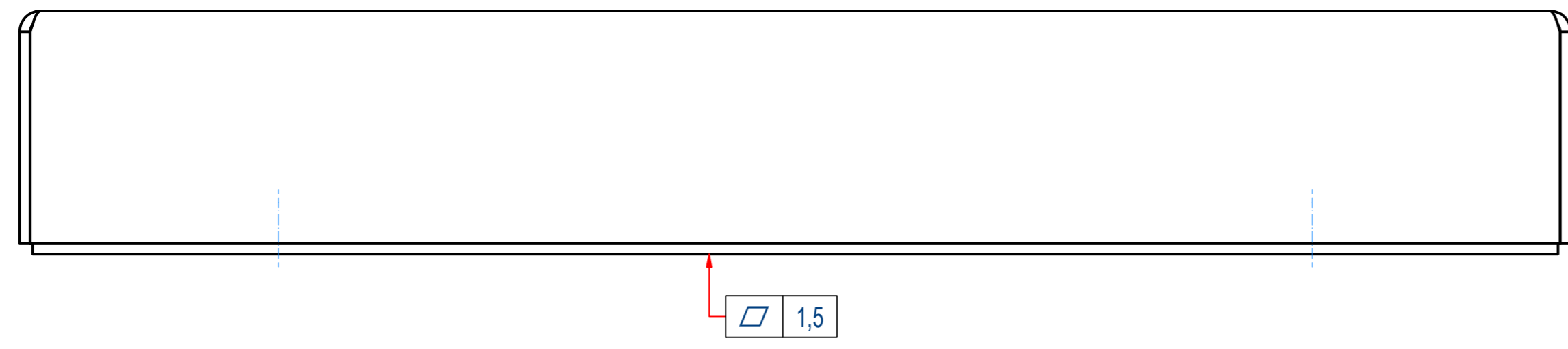
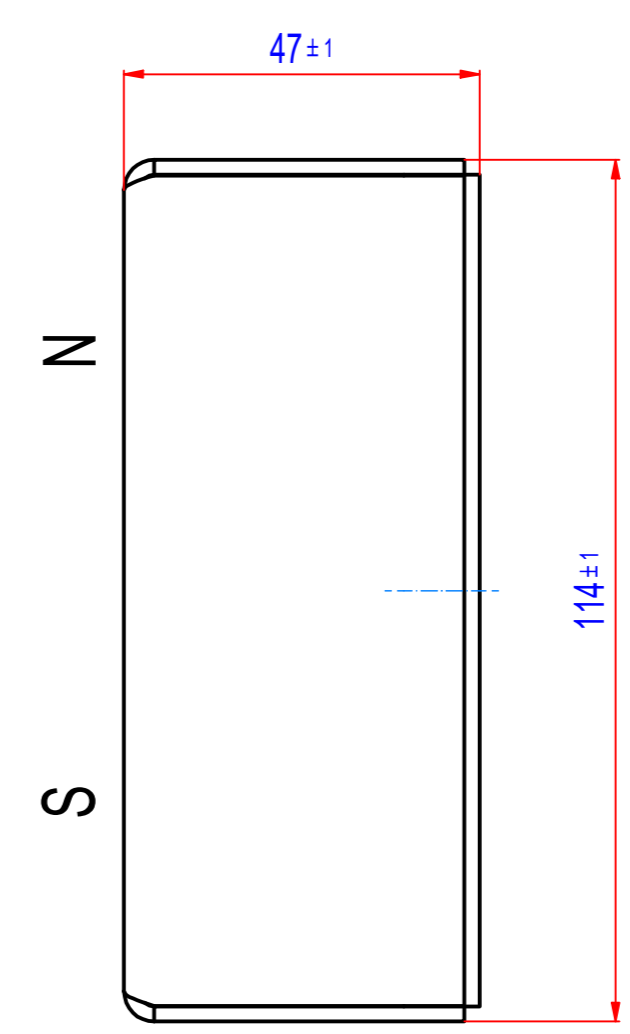
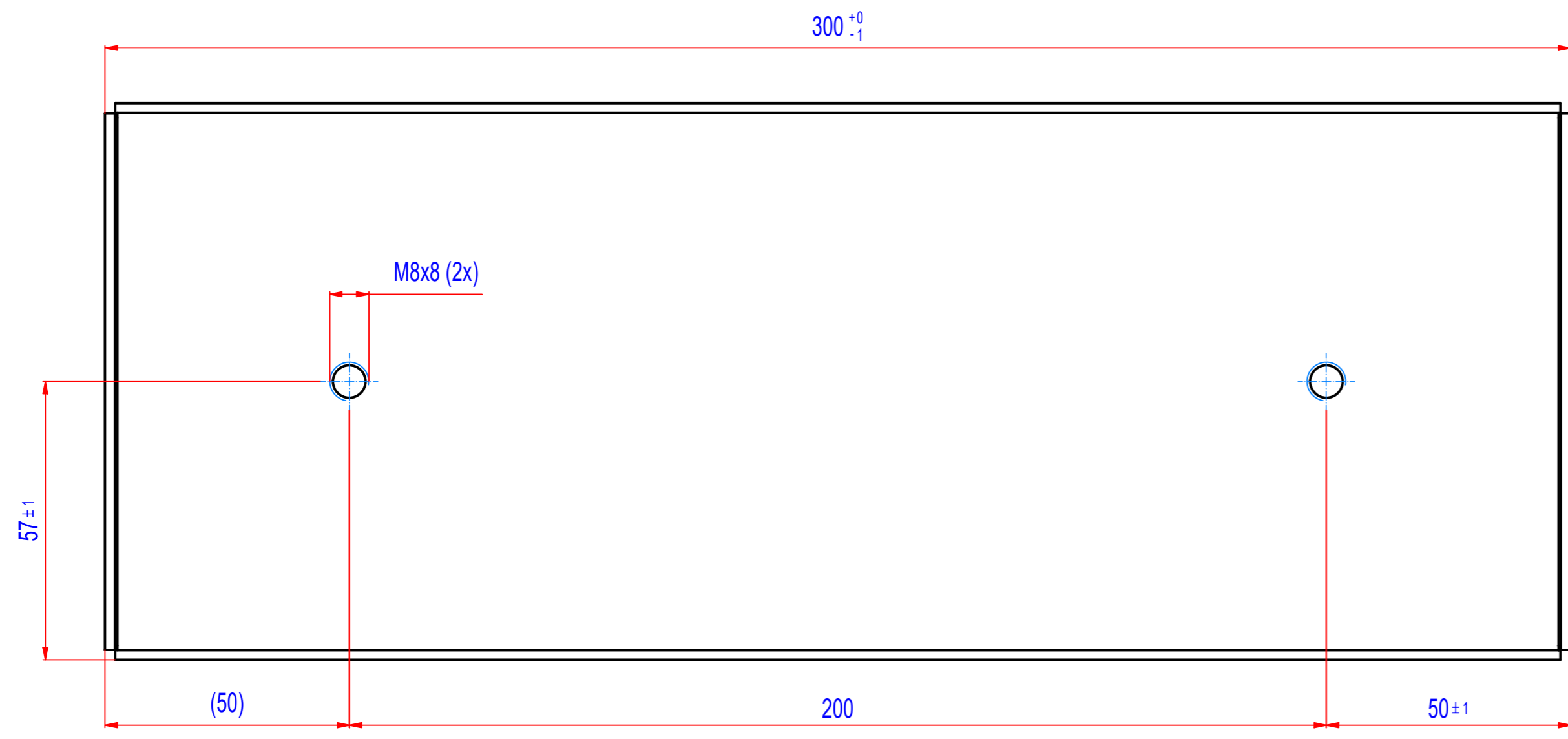


REV	DATE	BY	DESCRIPTION
-	16.10.2023	EN	Standard SVMF01



	Sheet: A2	Extra info:	General tolerance: ISO 2768 - cL
Drawn: EN	Weight (kg): 8.1		Drawn according: ISO268; ISO1101; ISO2553
Date: 16.10.2023	Predecessor:		Status:
Quick search:	© All rights reserved. Reproduction is not permitted without written permission of GOUDSMIT Magnetic Systems BV		Customer reference number:
Description: Plate magnet, ferrite 114x47, L=300	Part number: SVMF010300	Product key: SVM-F-114x47-0300-B-F0E	Rev: -