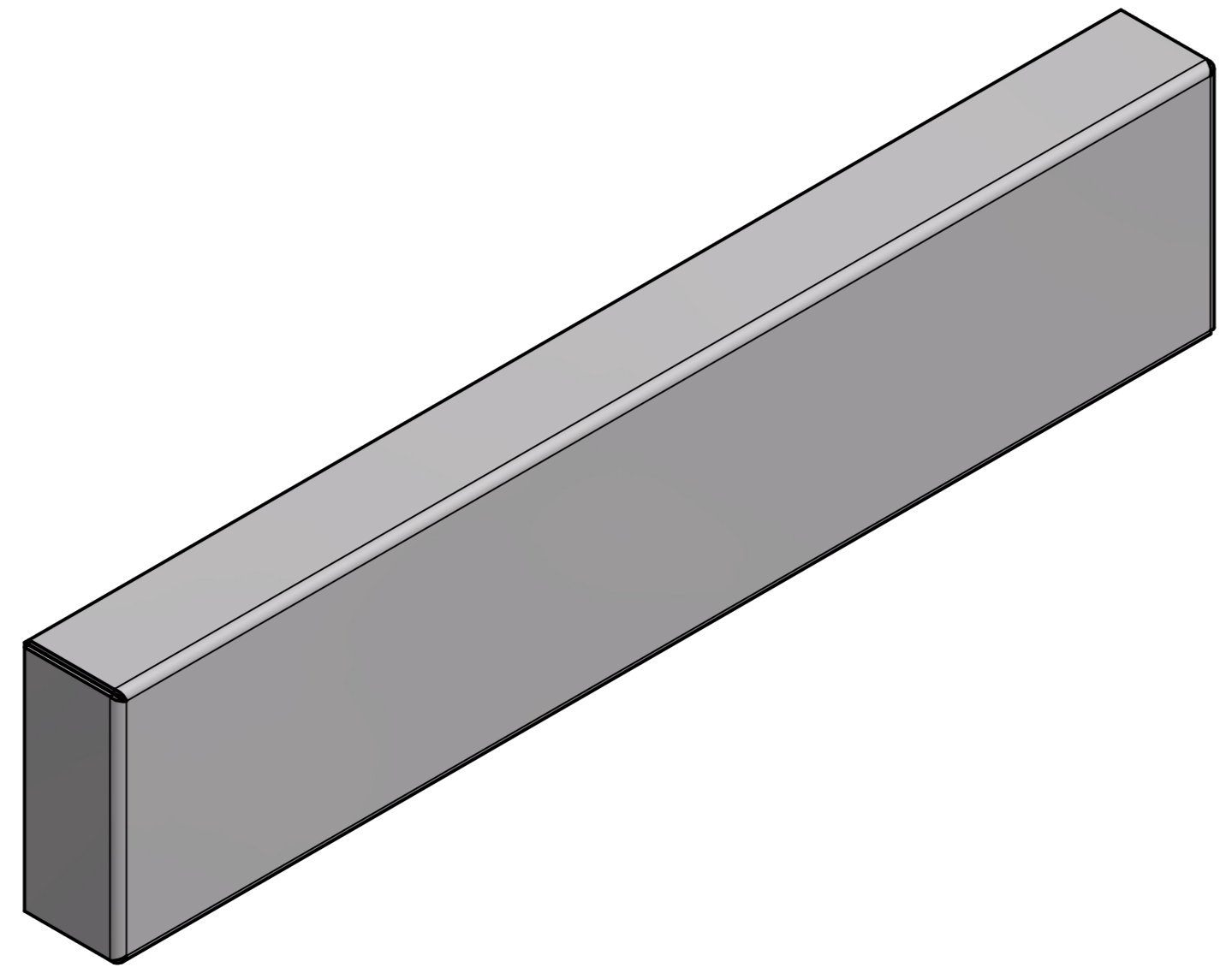
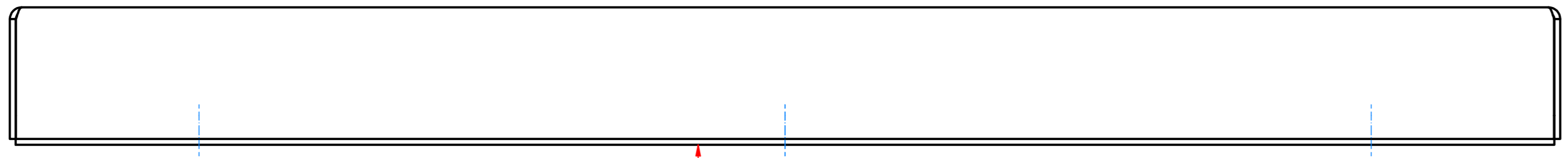
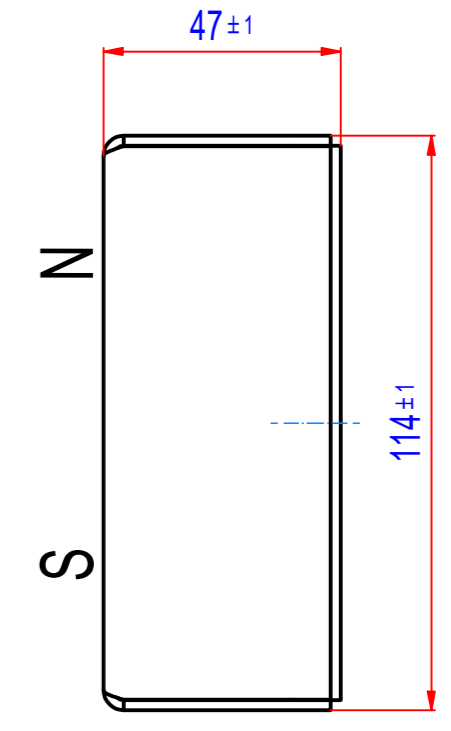
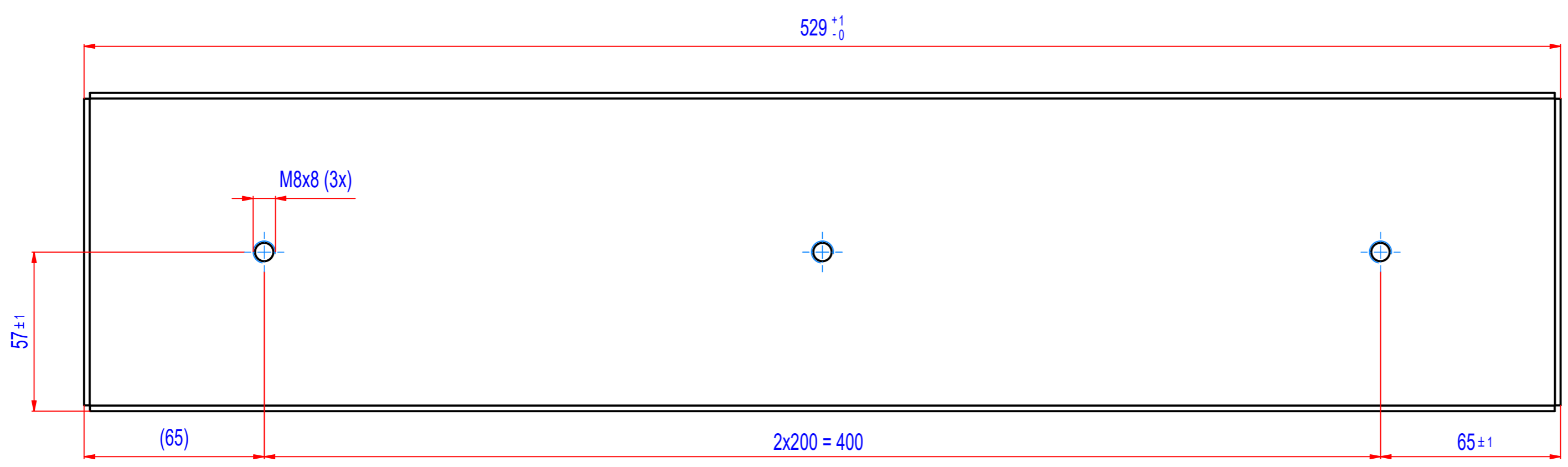


REV	DATE	BY	DESCRIPTION
-	19.10.2023	EN	Standard SVMF01



Sheet: A2	Extra info:	General tolerance: ISO 2768 - cL
Drawn: EN	Weight (kg): 14.5	Drawn according to: ISO268; ISO1101; ISO2553
Date: 19.10.2023		Status:
Predecessor:		Customer reference number:
Quick search:	© All rights reserved. Reproduction is not permitted without written permission of GOUDSMIT Magnetic Systems BV	Product key: SVM-F-114x47-0530-B-F0E
Description: Plate magnet, ferrite, 114x47, L=530	Part number: SVMF010530	Rev: -