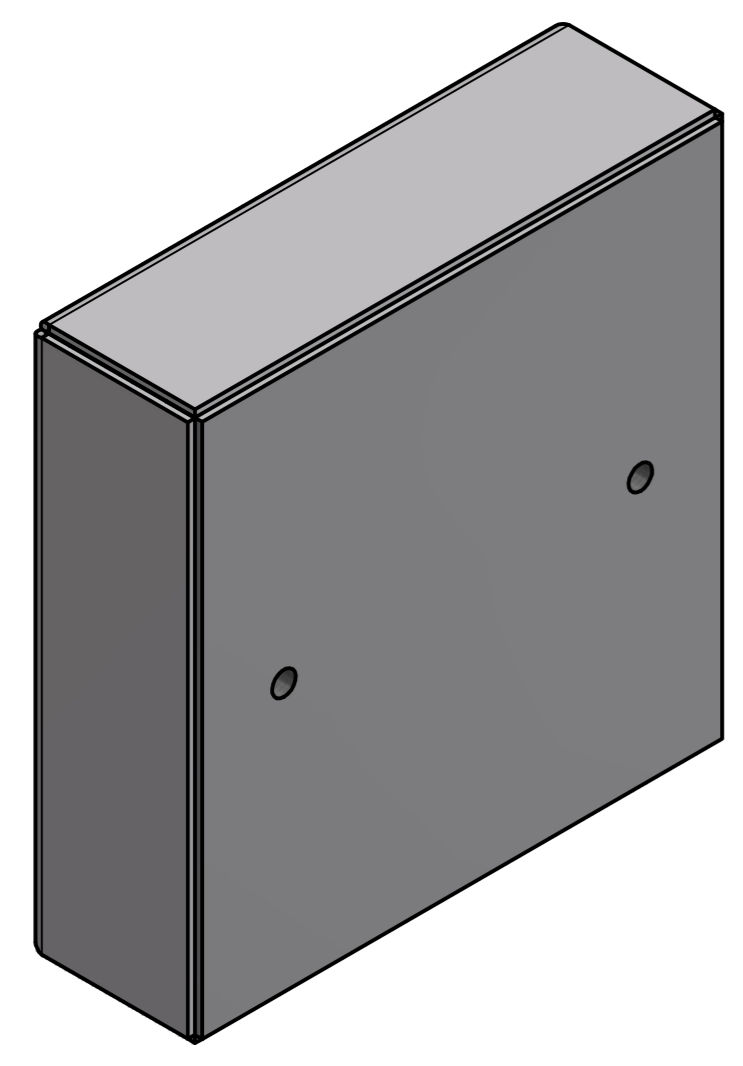
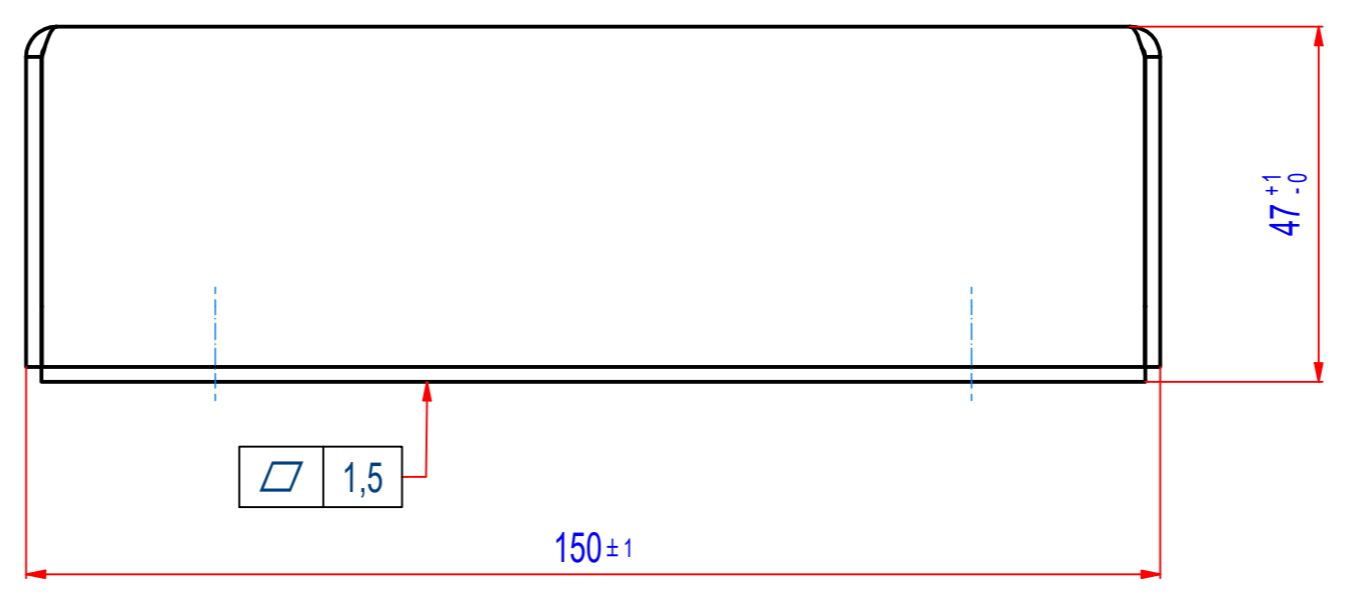
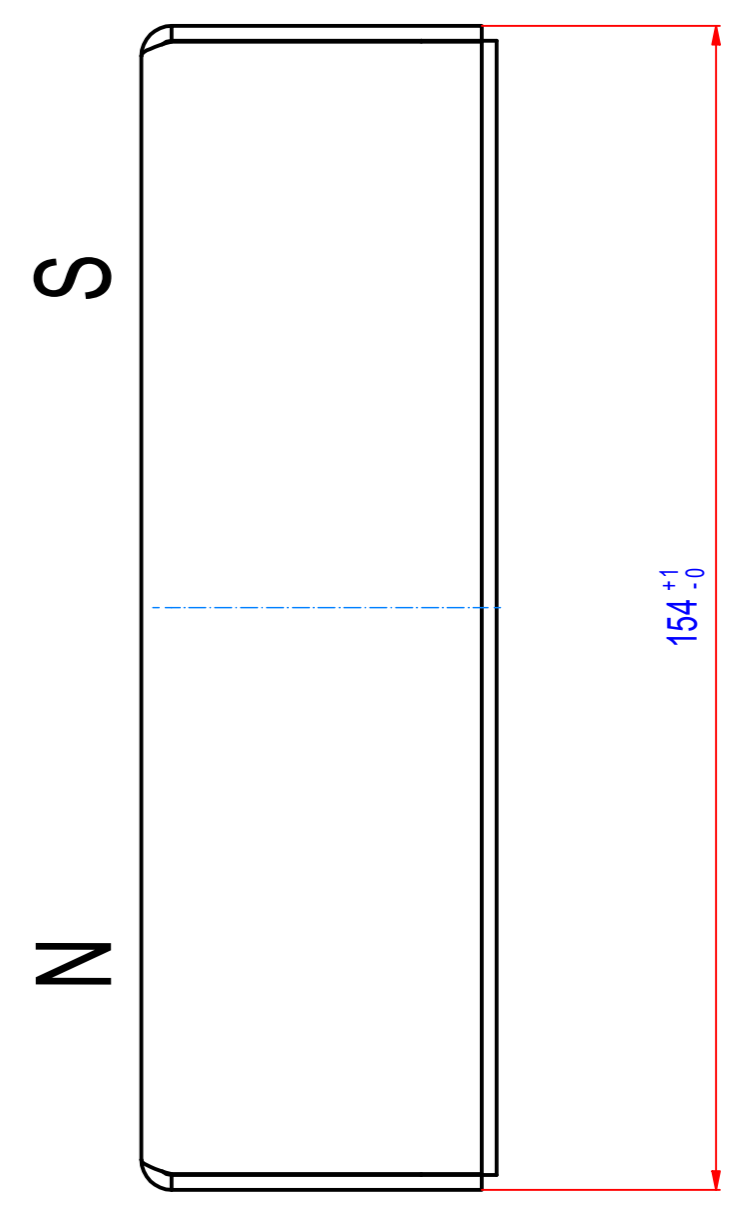
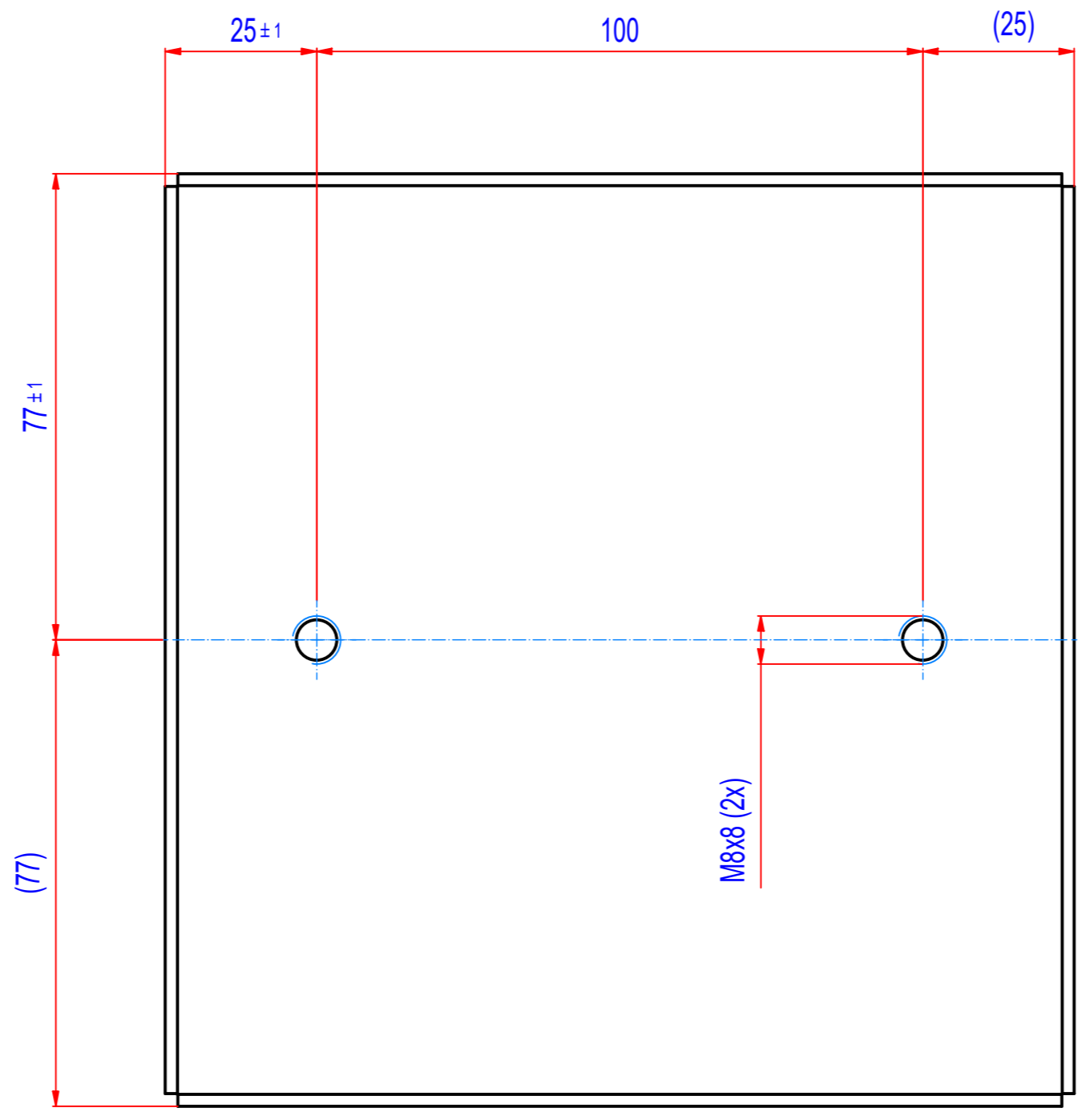


REV	DATE	BY	DESCRIPTION
-	06.11.2023	EN	New Vault, tolerances added



	Sheet: A2	Extra info:	General tolerance: ISO 2768 - cL
Drawn: EN	Weight (kg): 5.3		Drawn according: ISO268; ISO1101; ISO2553
Date: 06.11.2023	Predecessor:		Status:
Quick search:	© All rights reserved. Reproduction is not permitted without written permission of GOUDSMIT Magnetic Systems BV		Customer reference number:
Description: Plate magnet, ferrite, 154x47, L=150	Part number: SVMF020150	Product key: SVM-F-154x47-0150-B-F0E	Rev: -