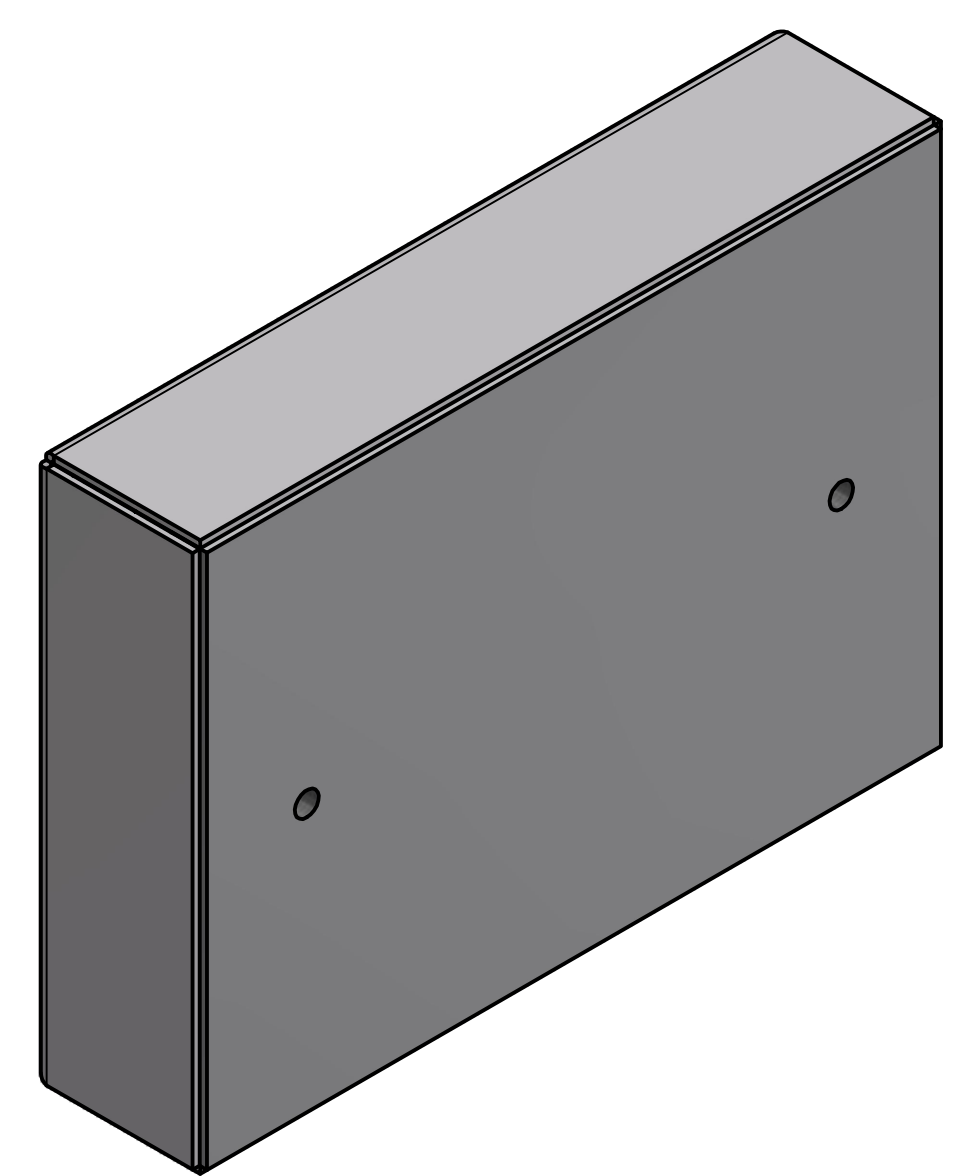
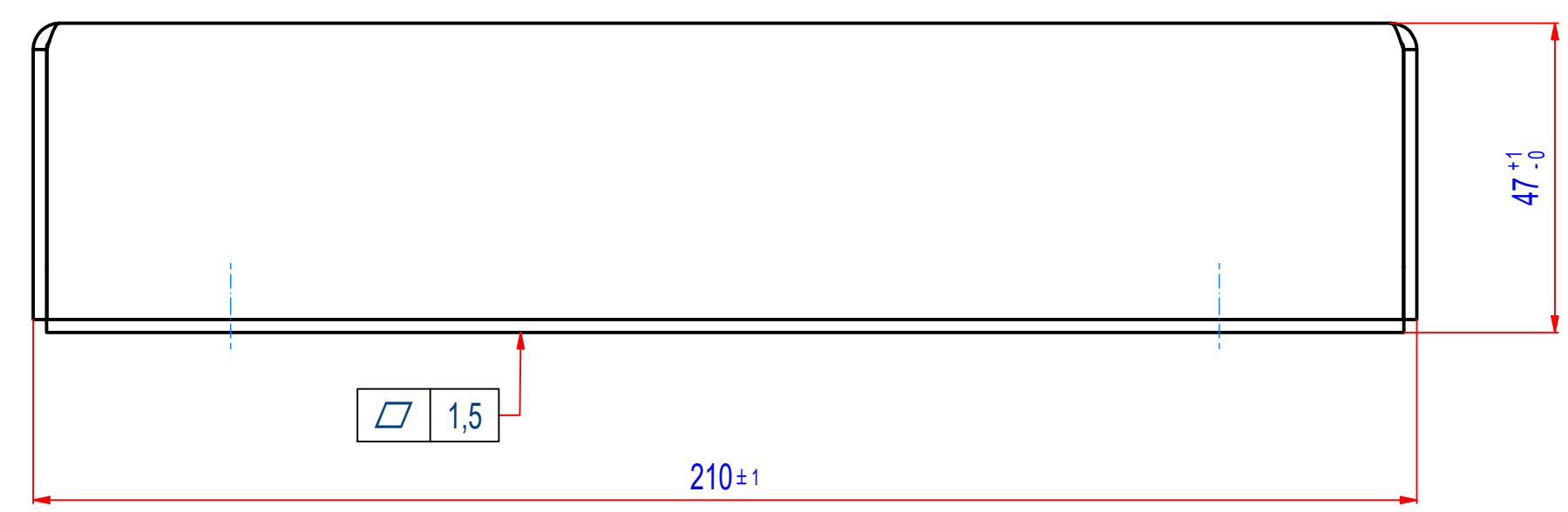
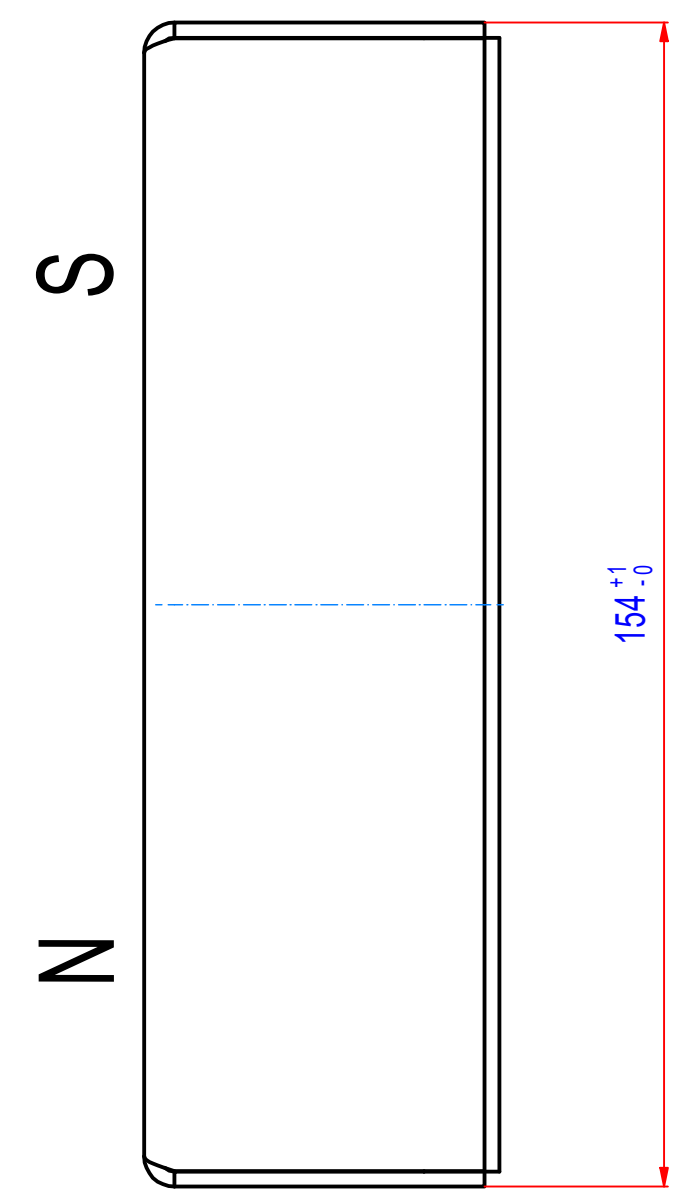
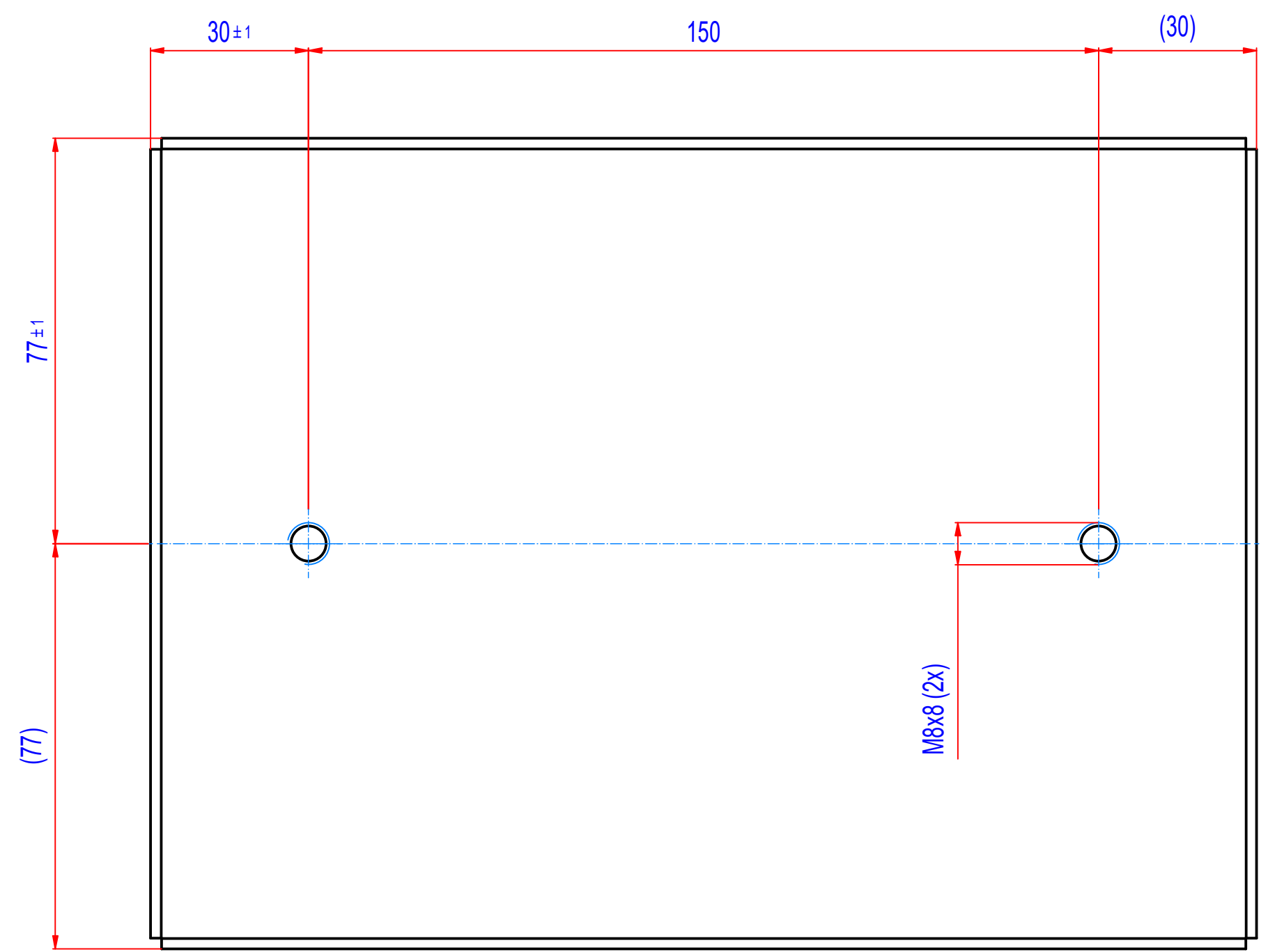


REV	DATE	BY	DESCRIPTION
-	06.11.2023	EN	New Vault, tolerances added



Sheet: A2	Extra info:	General tolerance: ISO 2768 - cL
Drawn: EN	Weight (kg): 7.6	Drawn according: ISO268; ISO1101; ISO2553
Date: 06.11.2023		Status:
Predecessor:		Customer reference number:
Quick search:	© All rights reserved. Reproduction is not permitted without written permission of GOUDSMIT Magnetic Systems BV	Product key: SVM-F-154x47-0210-B-F0E
Description: Plate magnet, ferrite, 154x47, L=210	Part number: SVMF020210	Rev: -