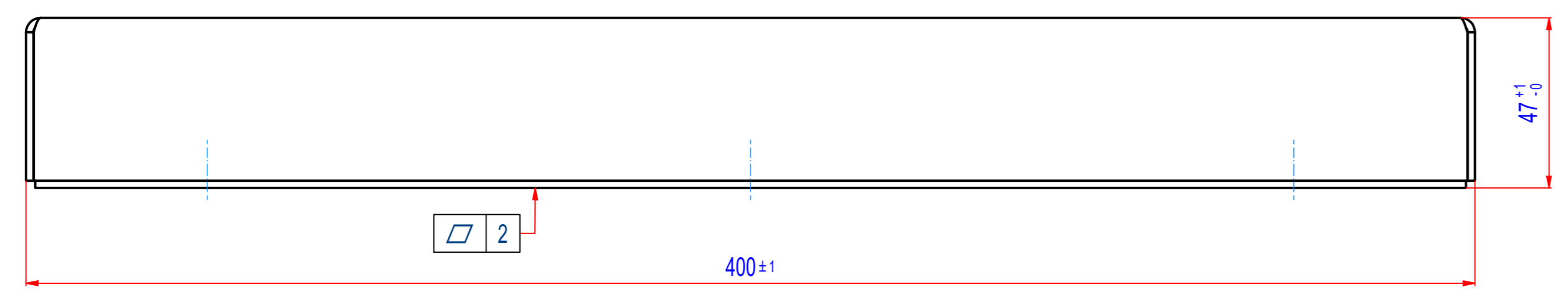
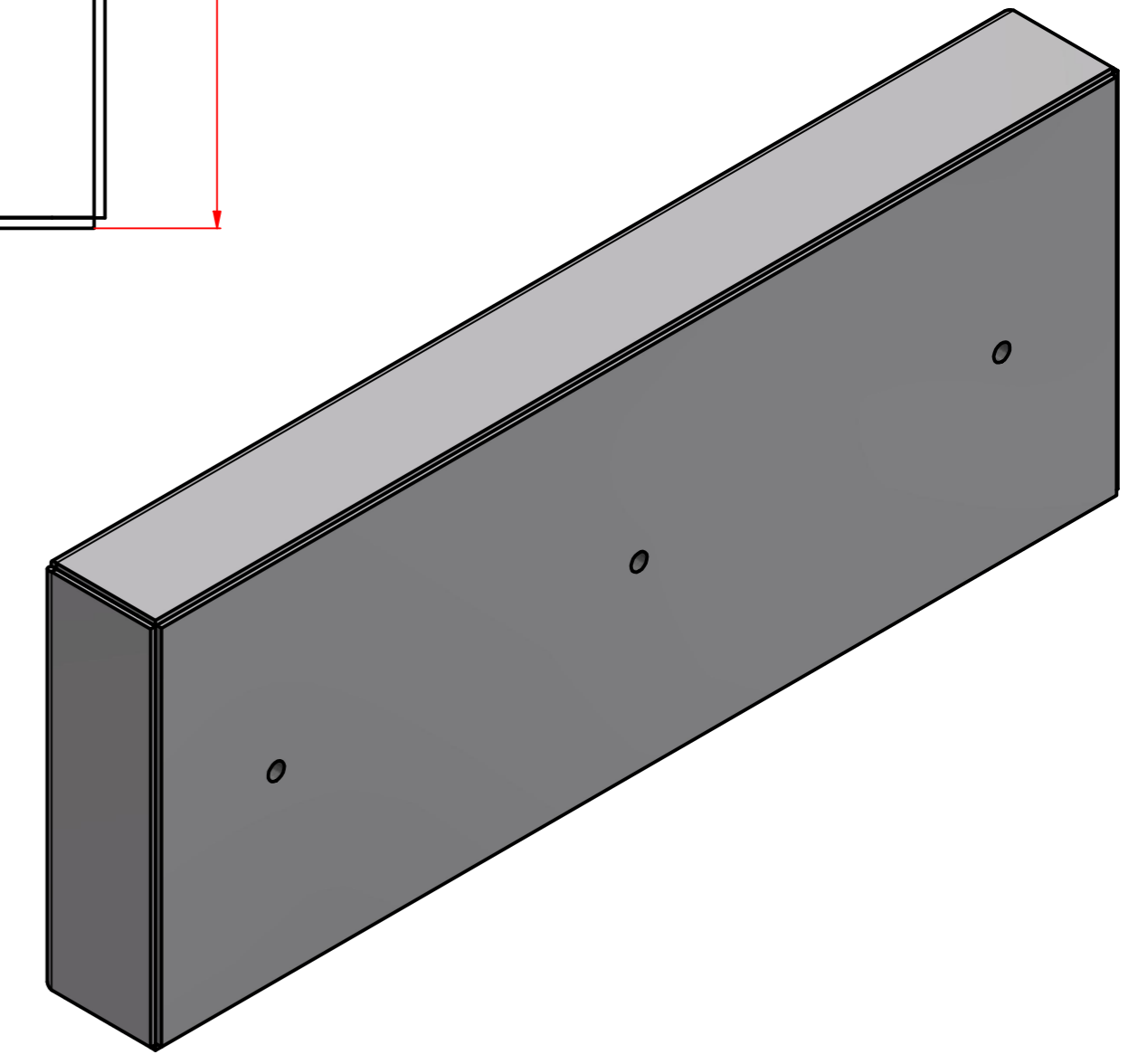
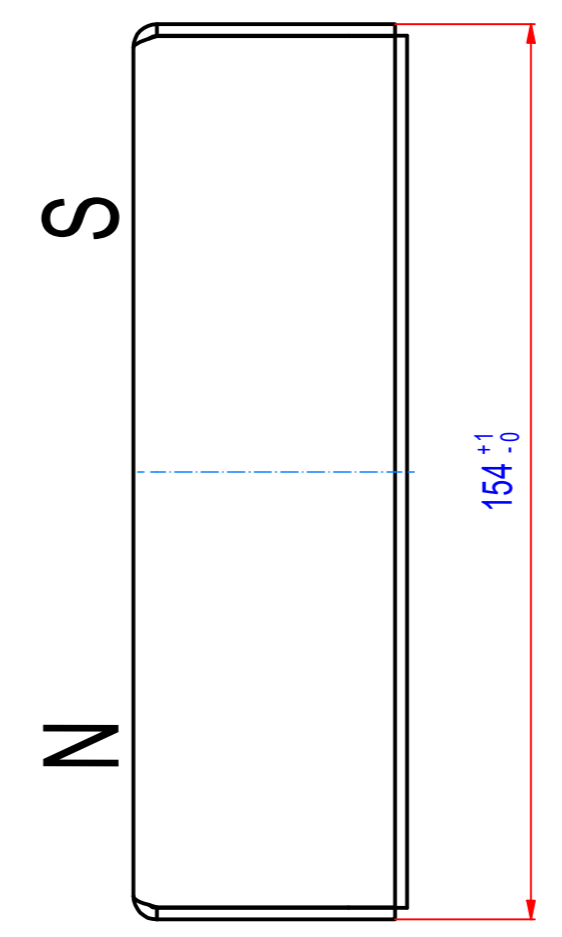
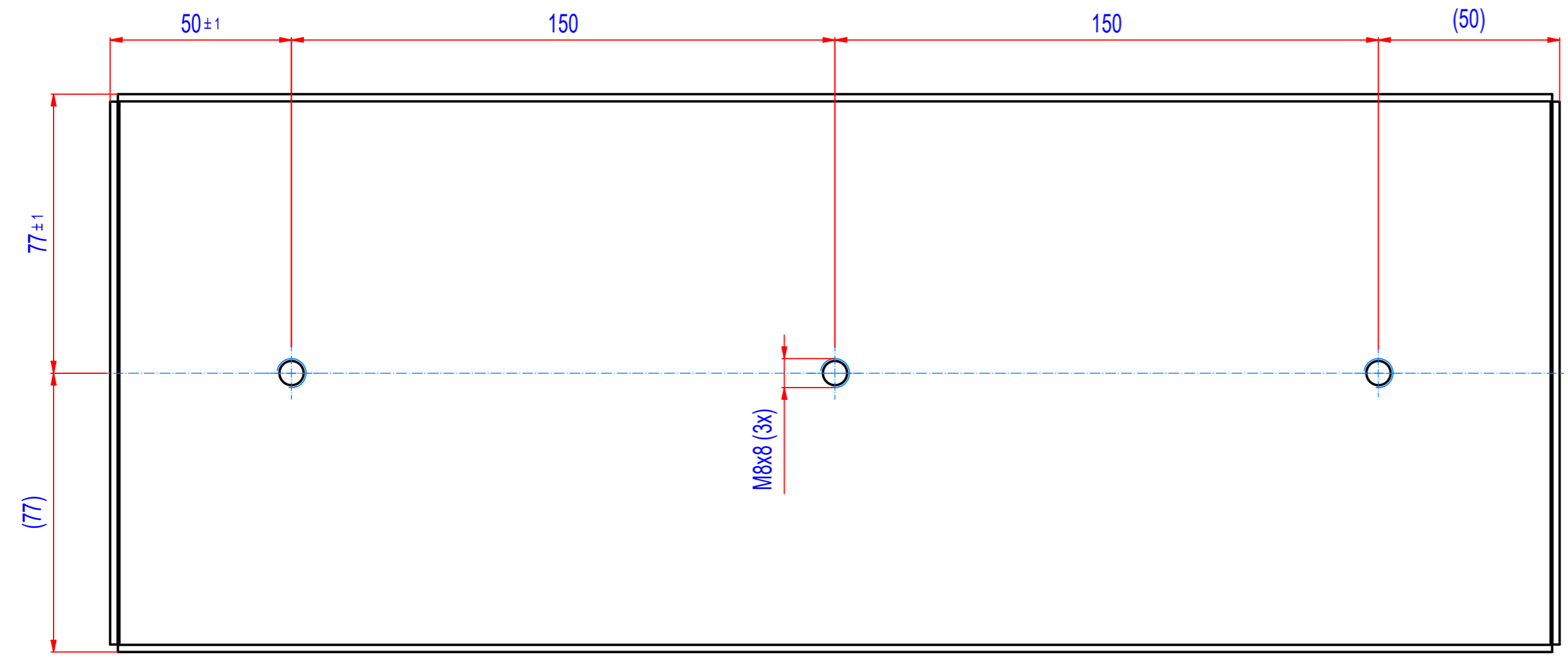


REV	DATE	BY	DESCRIPTION
-	06.11.2023	EN	Ref.: SVMF020300



Sheet: A2	Extra info:	General tolerance: ISO 2768 - cL
Drawn: EN	Weight (kg): 14,8	Drawn according: ISO268; ISO1101; ISO2553
Date: 6.11.2023		Status:
Predecessor:		Customer reference number:
Quick search: VMF2	© All rights reserved. Reproduction is not permitted without written permission of GOUDSMIT Magnetic Systems BV	Product key: SVM-F-154x47-0400-B-F0E
Description: Plate magnet, ferrite, 154x47, L=400	Part number: SVMF020400	Rev: -