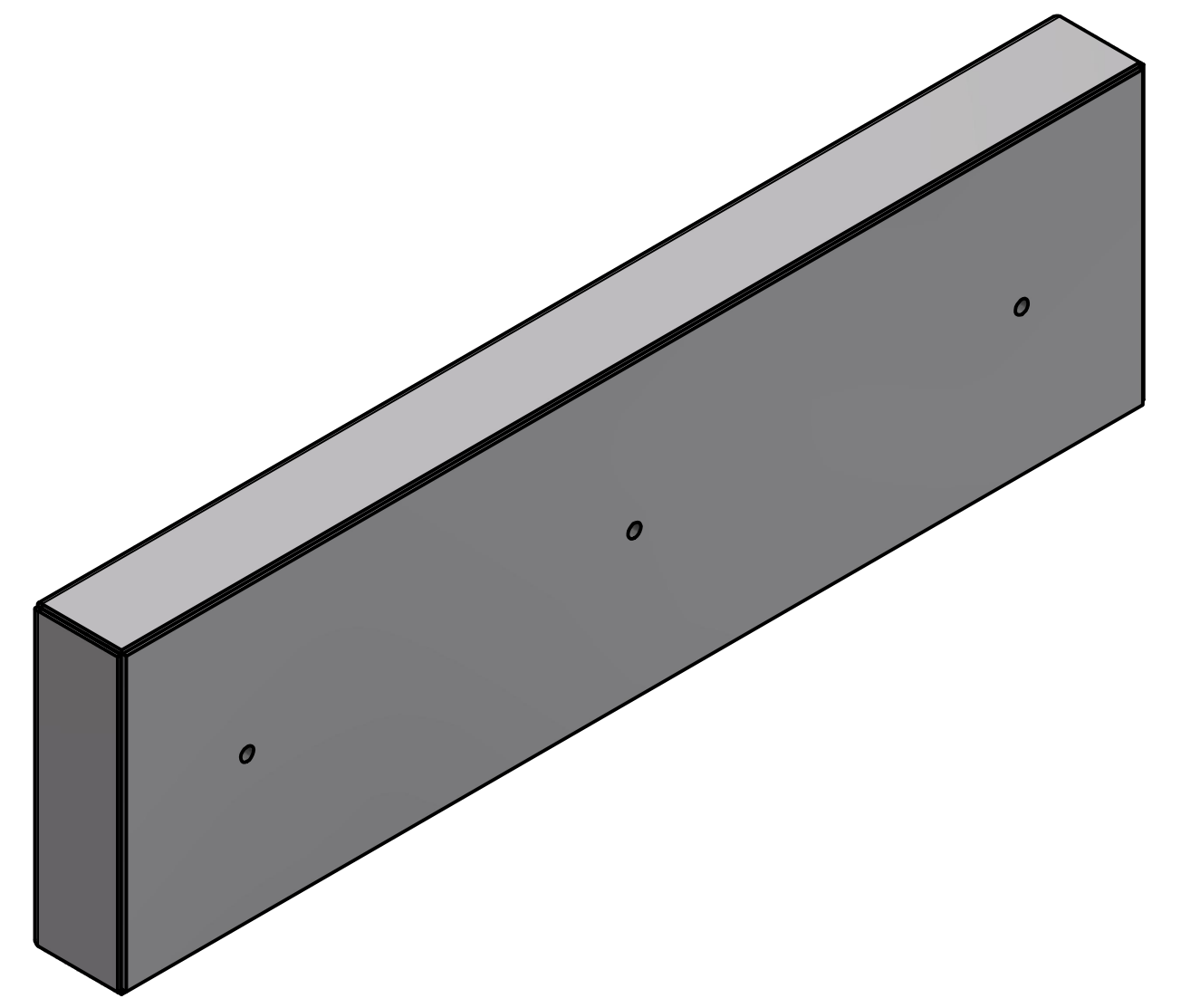
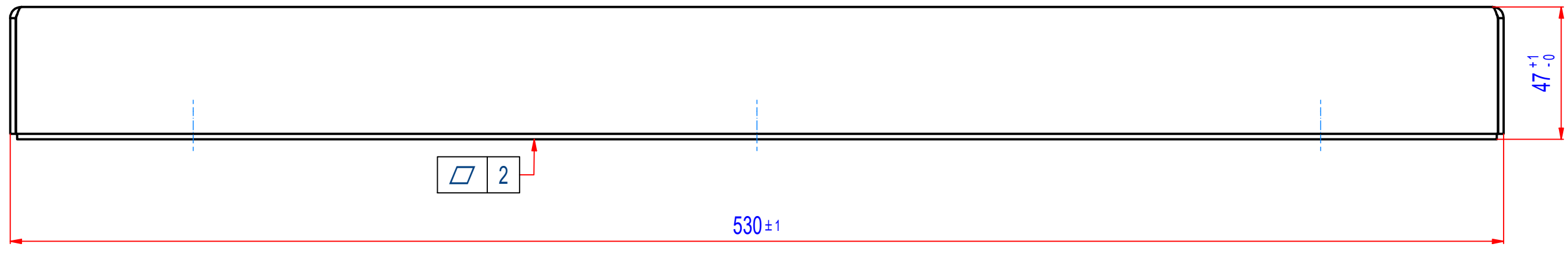
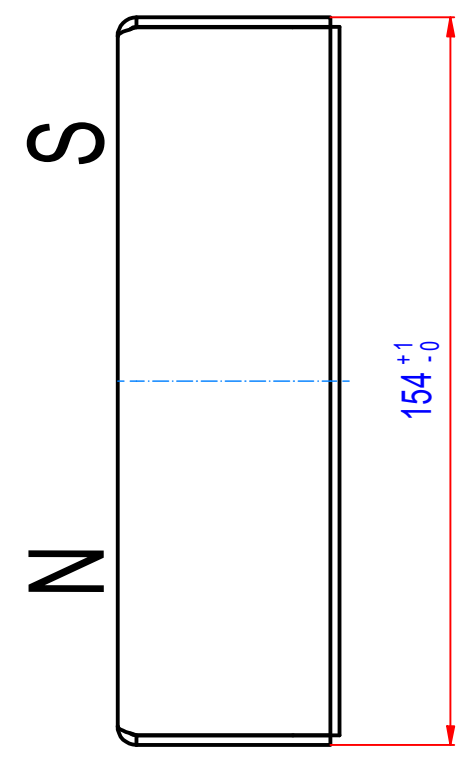
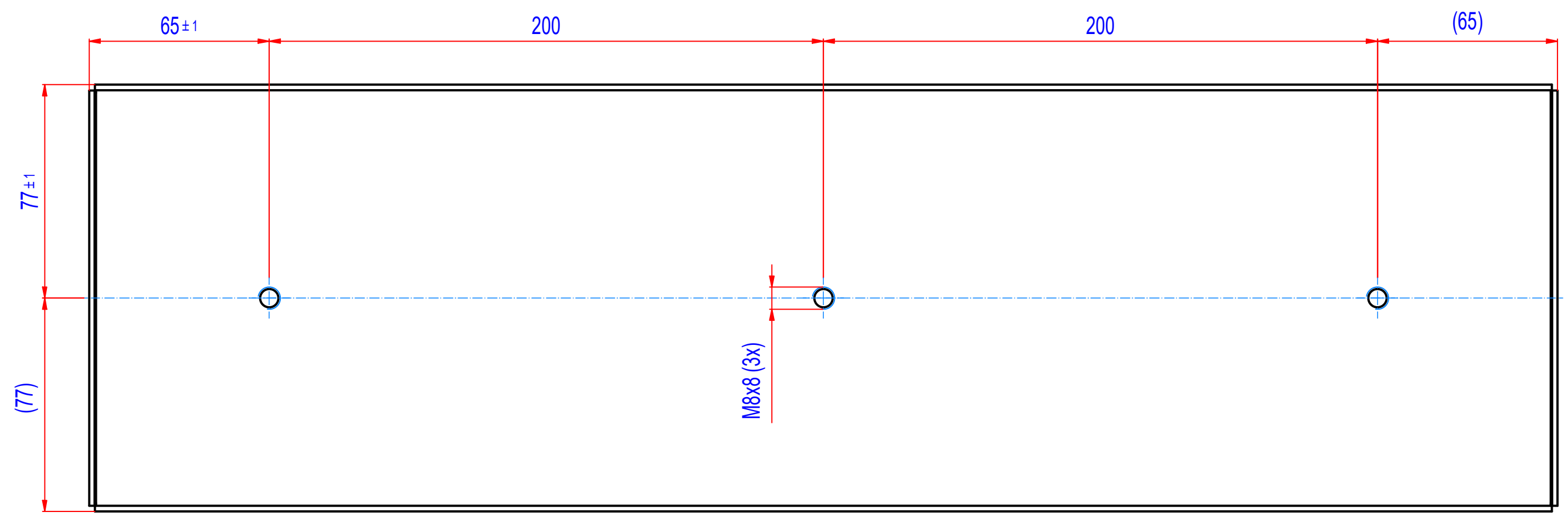


REV	DATE	BY	DESCRIPTION
-	07.11.2023	EN	Ref.: SVMF020300



	Sheet: A2	GOUDSMIT MAGNETICS <small>© All rights reserved. Reproduction is not permitted without written permission of GOUDSMIT Magnetic Systems BV</small>	General tolerance: ISO 2768 - cL
	Drawn: EN Date: 07.11.2023 Predecessor:		Weight (kg): 19.6 Drawn according to: ISO268; ISO1101; ISO2553 Status:
Quick search: VMF2 Description: Plate magnet, ferrite, 154x47, L=530	Part number: SVMF020530 Rev: -	Customer reference number:	Product key: SVM-F-154x47-0530-B-F0E