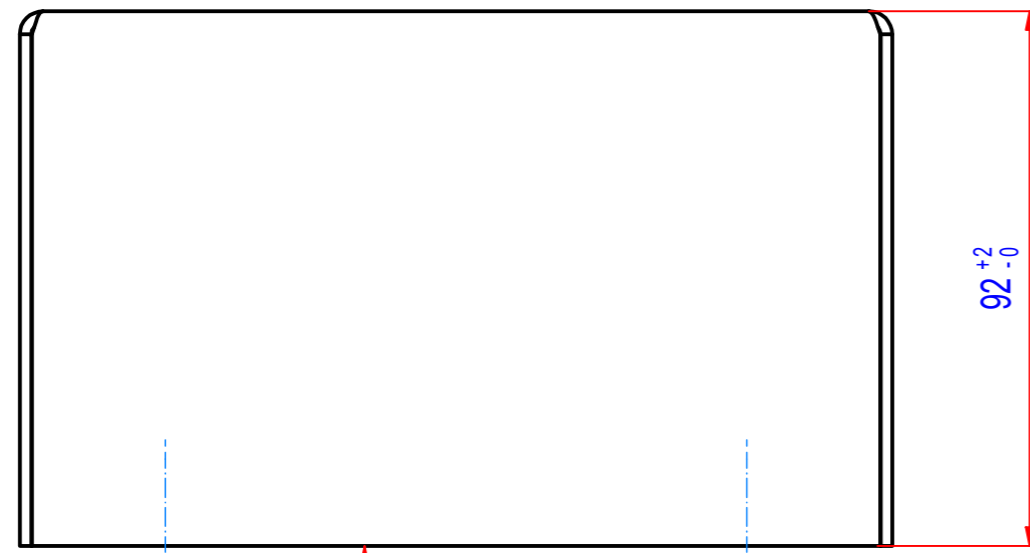
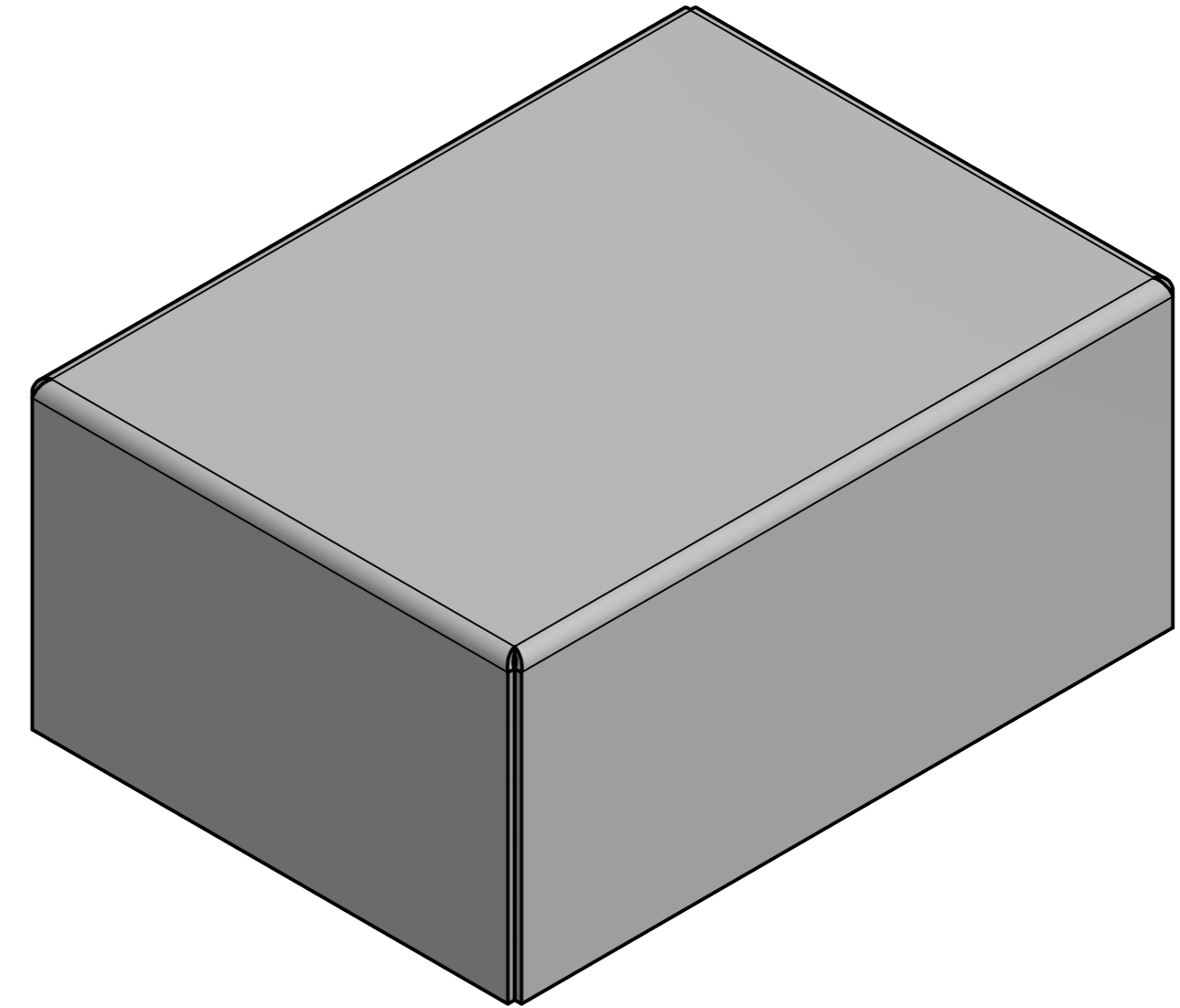
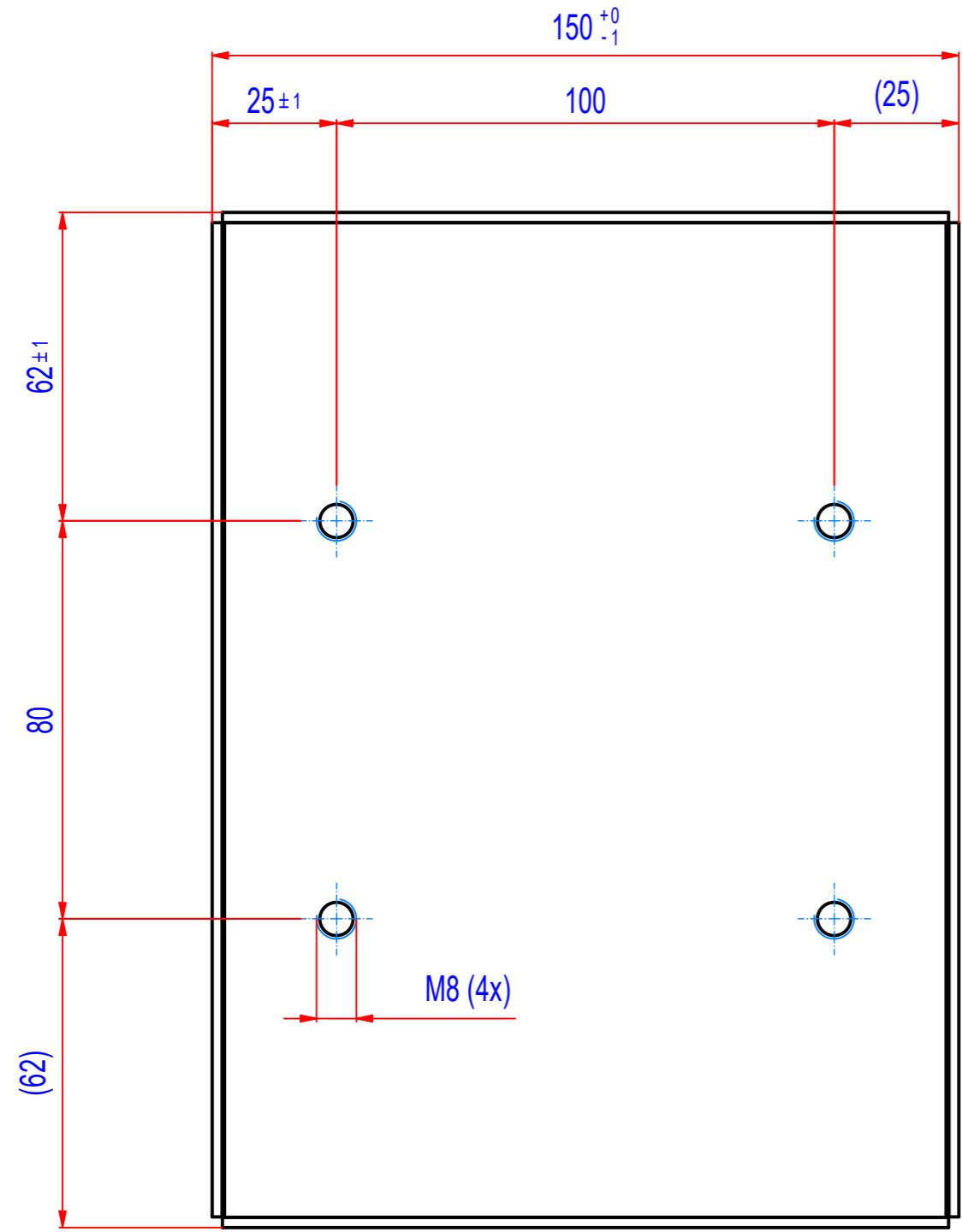
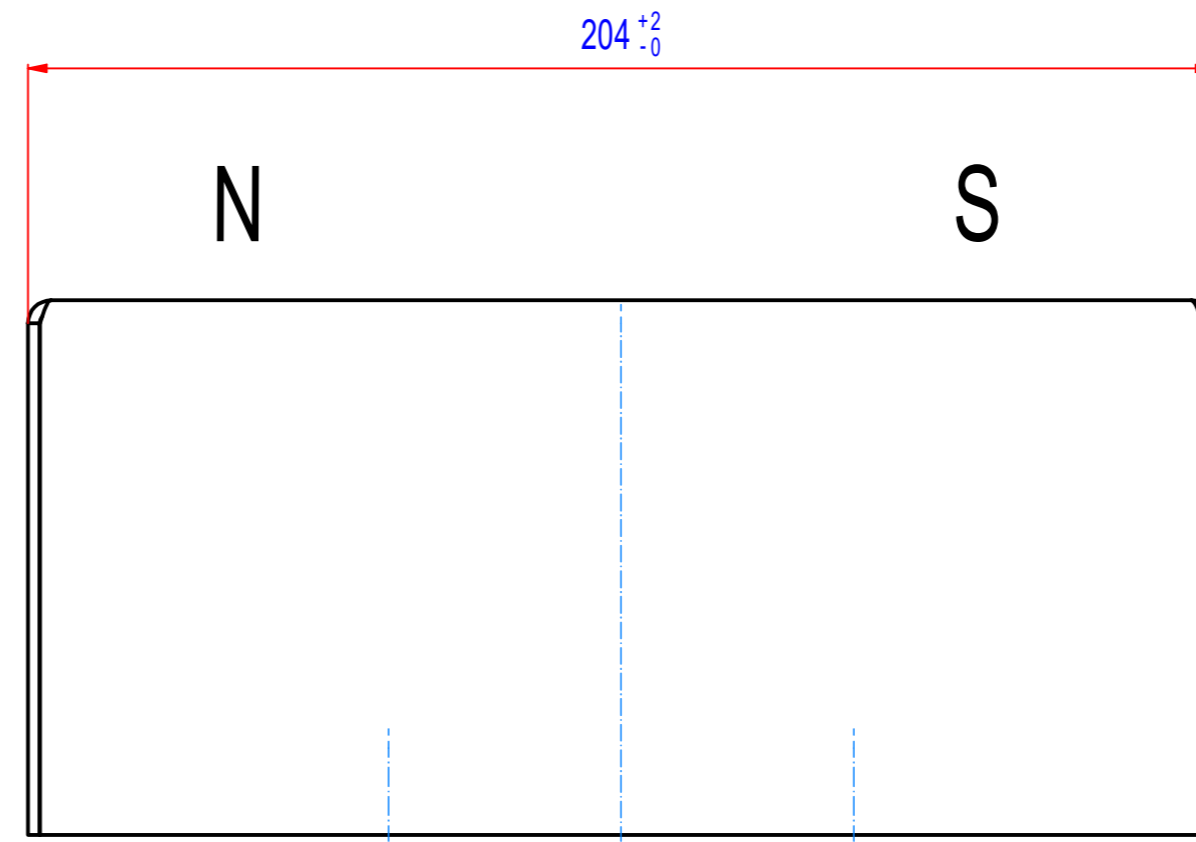


REV	DATE	BY	DESCRIPTION
-	01.09.2021	EN	New Vault, tolerances added



\square 1,5



Sheet: A2	Extra info:	General tolerance: ISO 2768 - cL
Drawn: EN	Weight (kg): 12,2	Drawn according: ISO268; ISO1101; ISO2553
Date: 01.09.2021		Status:
Predecessor:		Customer reference number:
Quick search: VMF04	© All rights reserved. Reproduction is not permitted without written permission of GOUDSMIT Magnetic Systems BV	Product key: SVM-F-204x92-0150-B-F0E
Description: Plate magnet, ferrite, 204x92, L=150	Part number: SVMF040150	Rev: -