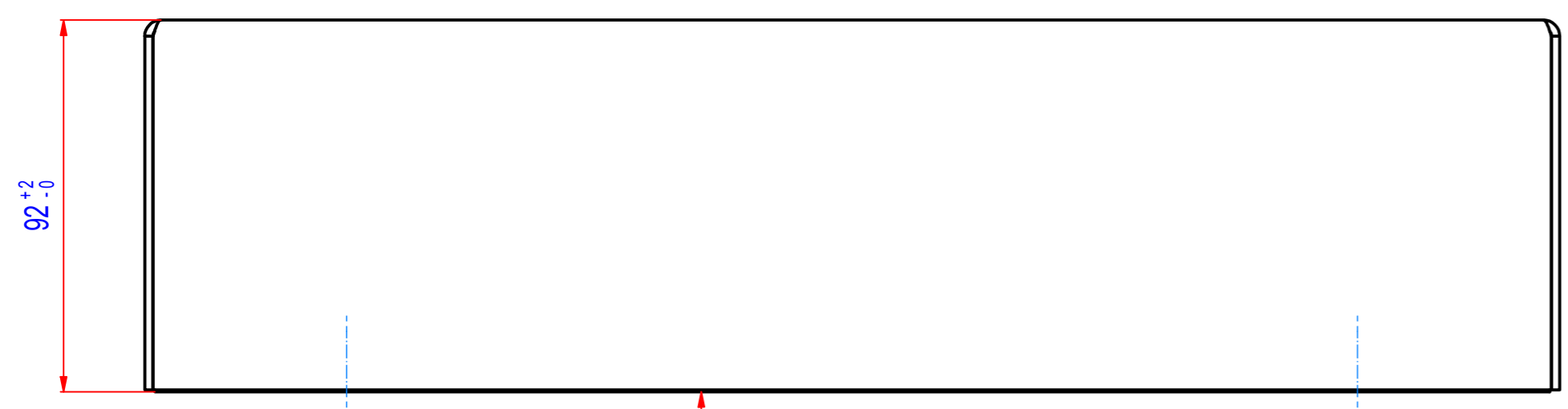
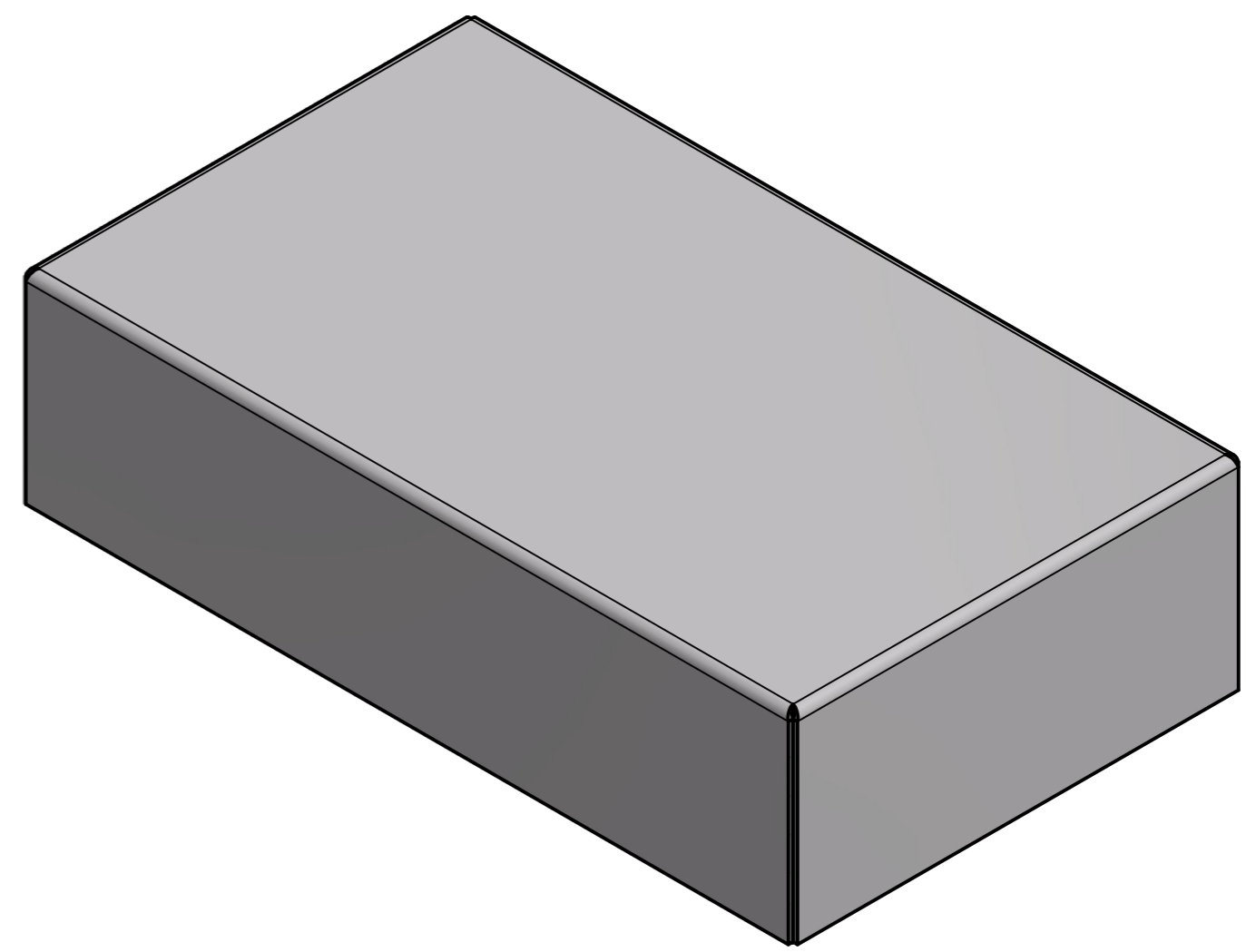
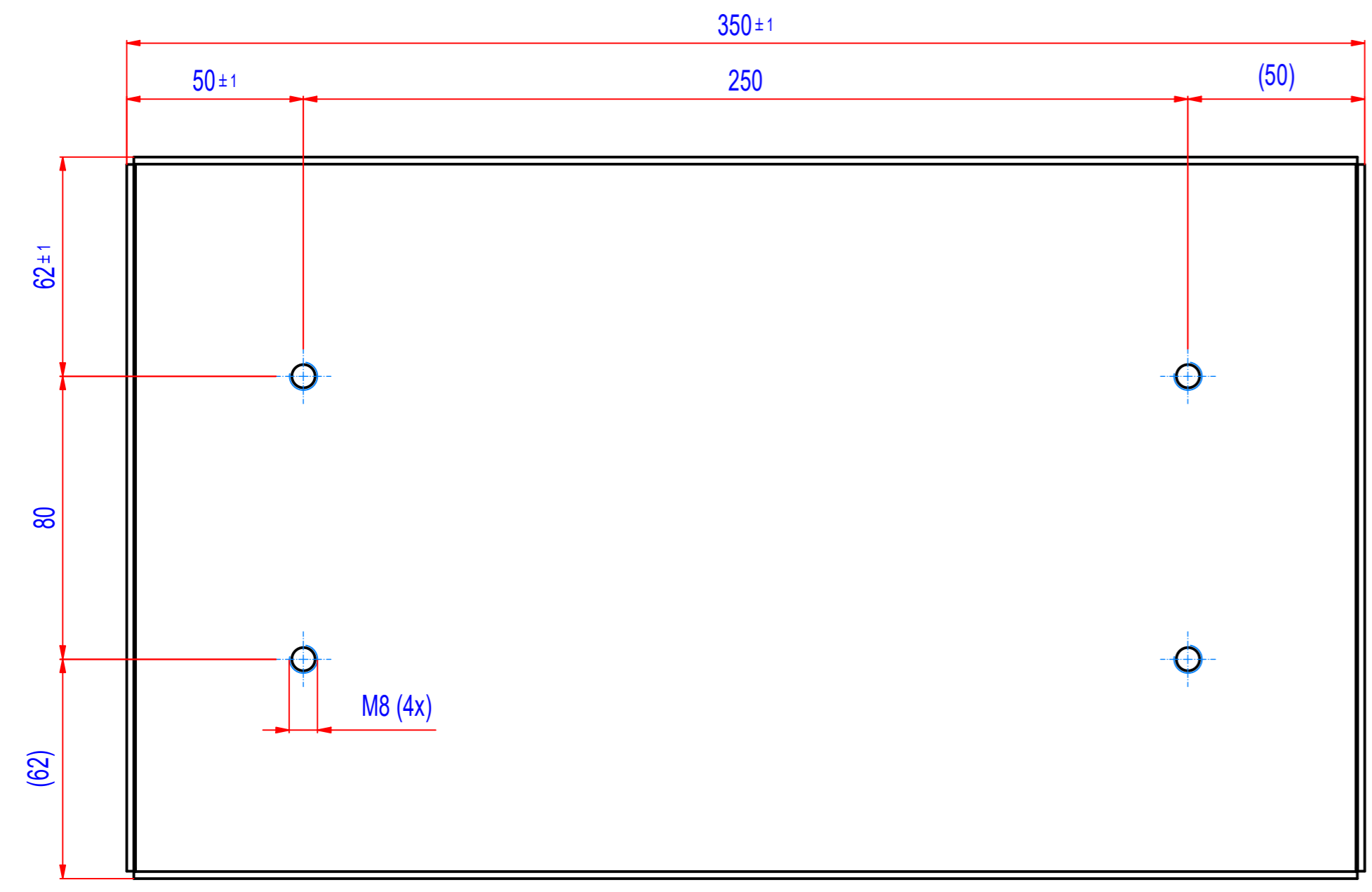
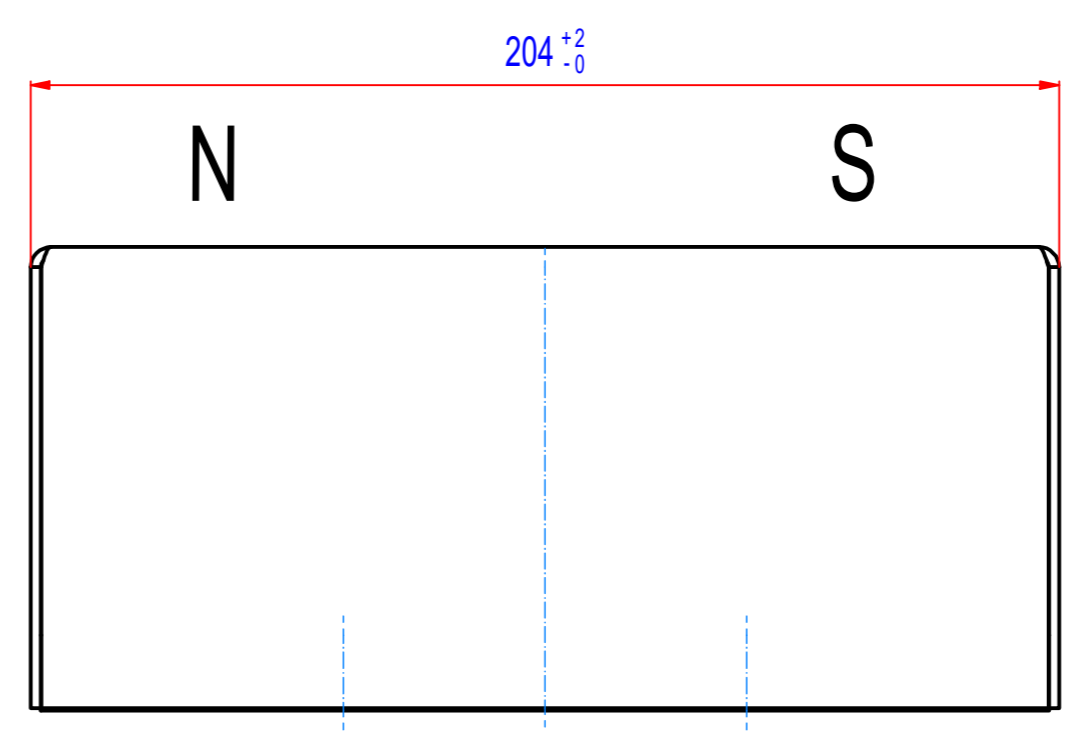


REV	DATE	BY	DESCRIPTION
-	16.04.2018	EN	New Vault, production tolerances changed



1,5



	Sheet: A2	Extra info:	General tolerance: ISO 2768 - cL
Drawn: EN	Weight (kg): 29.9		Drawn according: ISO268; ISO1101; ISO2553
Date: 16.04.2018	Predecessor:		Status:
Quick search:	© All rights reserved. Reproduction is not permitted without written permission of GOUDSMIT Magnetic Systems BV		Customer reference number:
Description: Plate magnet, ferrite, 204x92, L=350			Product key: SVM-F-204x92-0350-B-F0E
		Part number: SVMF040350	Rev: -