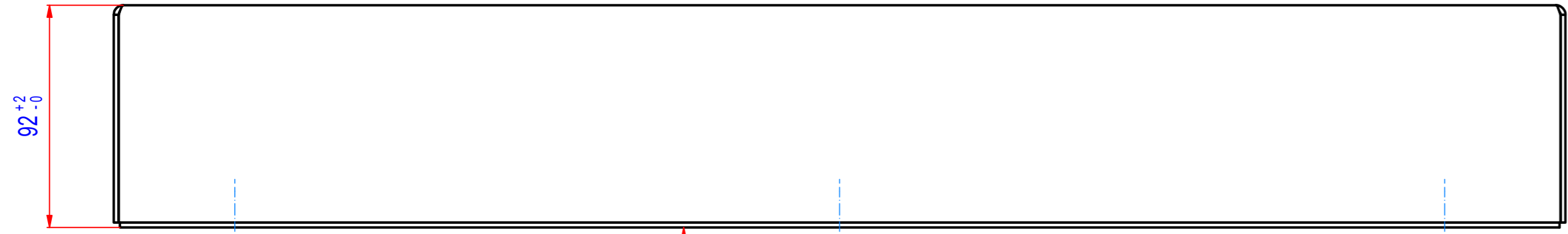
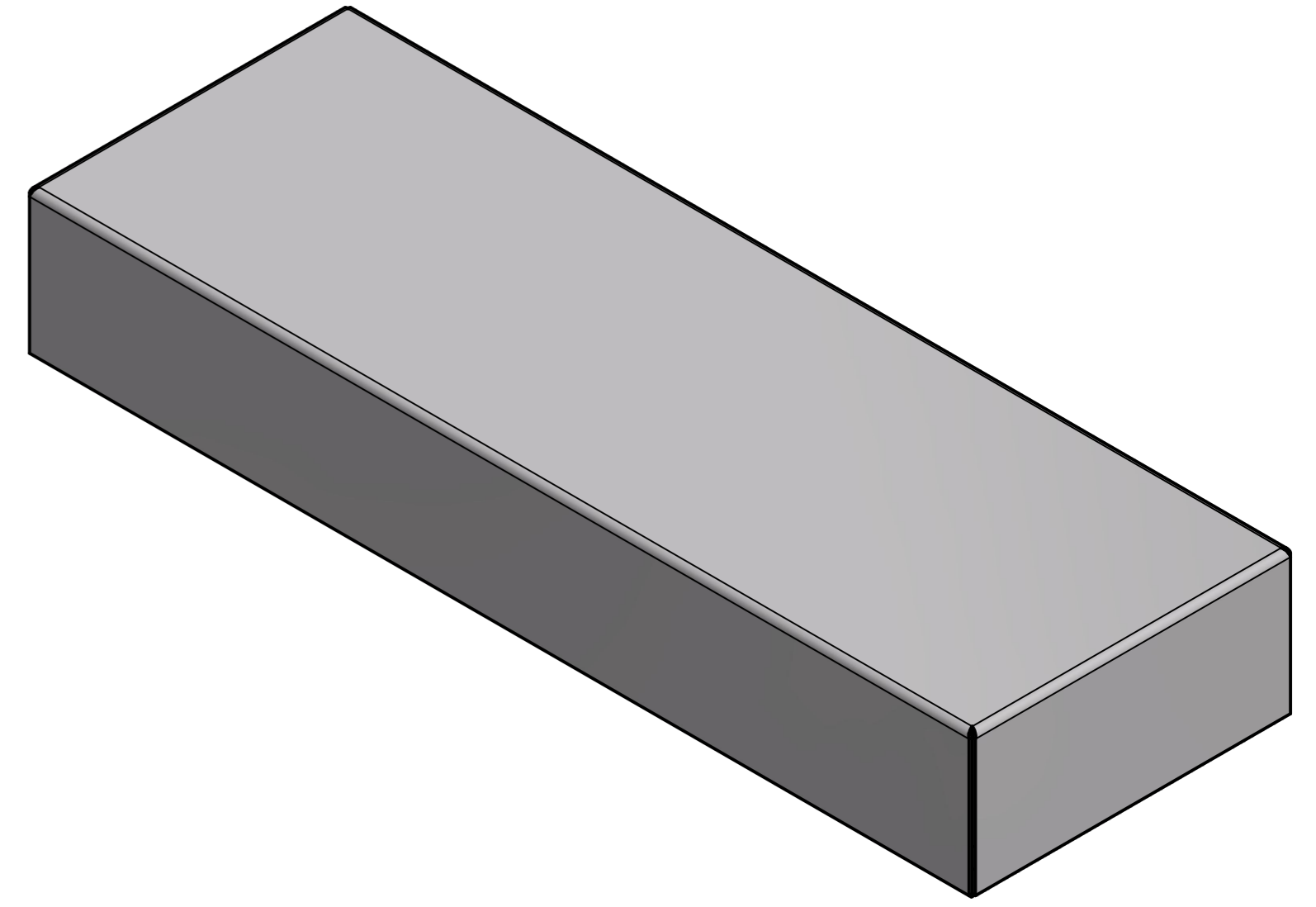
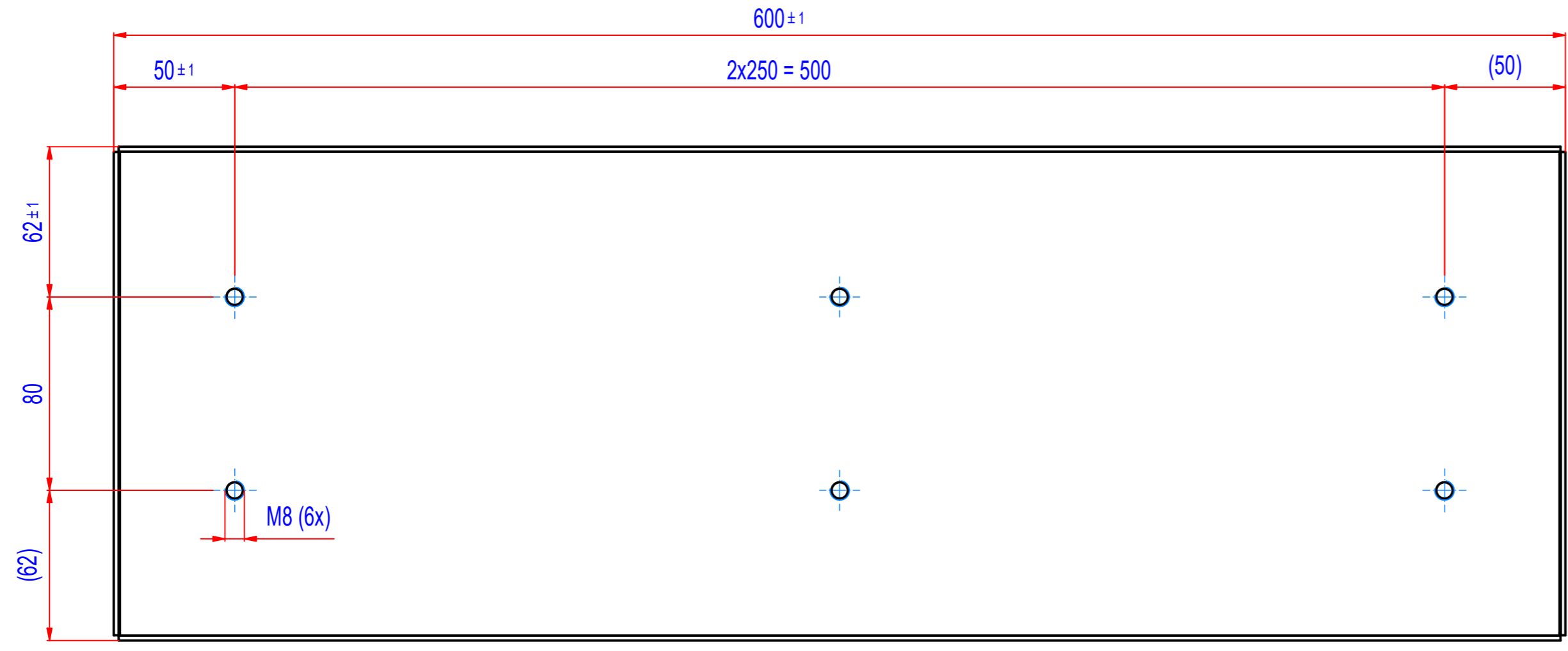
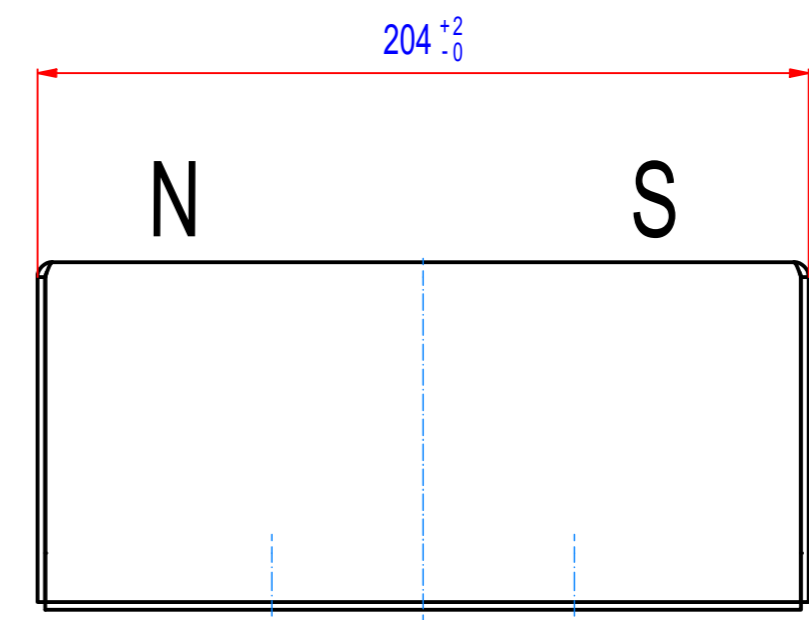


REV	DATE	BY	DESCRIPTION
-	09.10.2017	PW	New Vault, production tolerances changed



2



	Sheet: A2	Extra info:	General tolerance: ISO 2768 - cL
Drawn: PW	Weight (kg): 50.2		Drawn according: ISO268; ISO1101; ISO2553
Date: 09.10.2017	Predecessor:		Status:
Quick search: VMF4	© All rights reserved. Reproduction is not permitted without written permission of GOUDSMIT Magnetic Systems BV		Customer reference number:
Description: Plate magnet, ferrite, 204x92, L=600	Part number: SVMF040600	Product key: SVM-F-204x92-0600-B-F0E	Rev: -