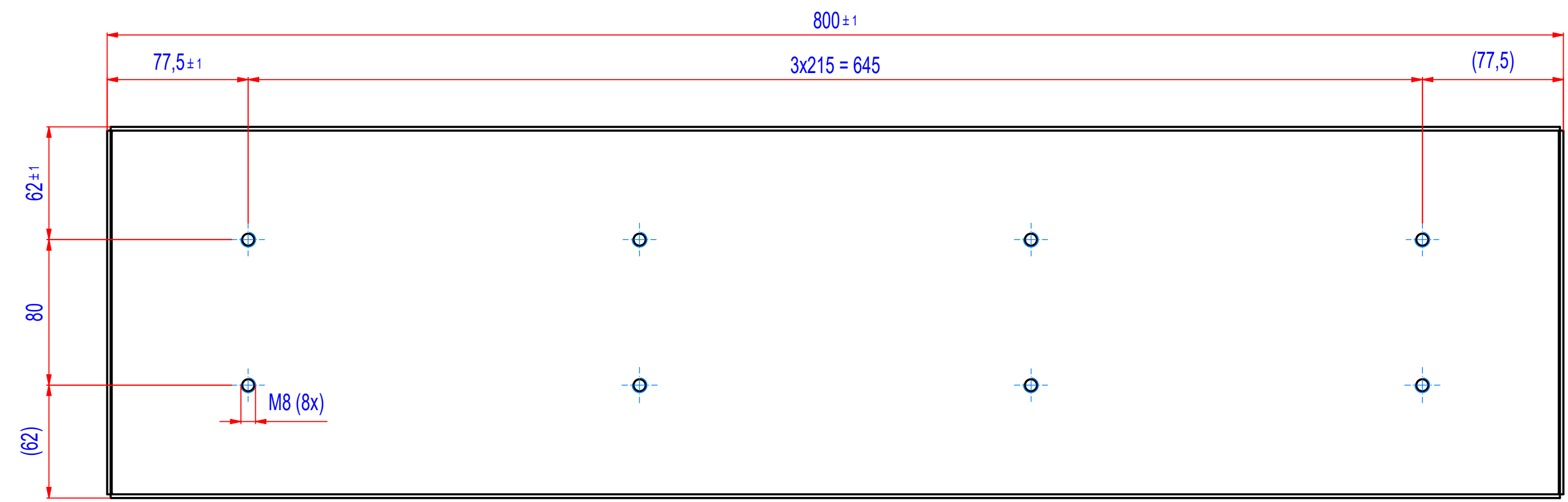
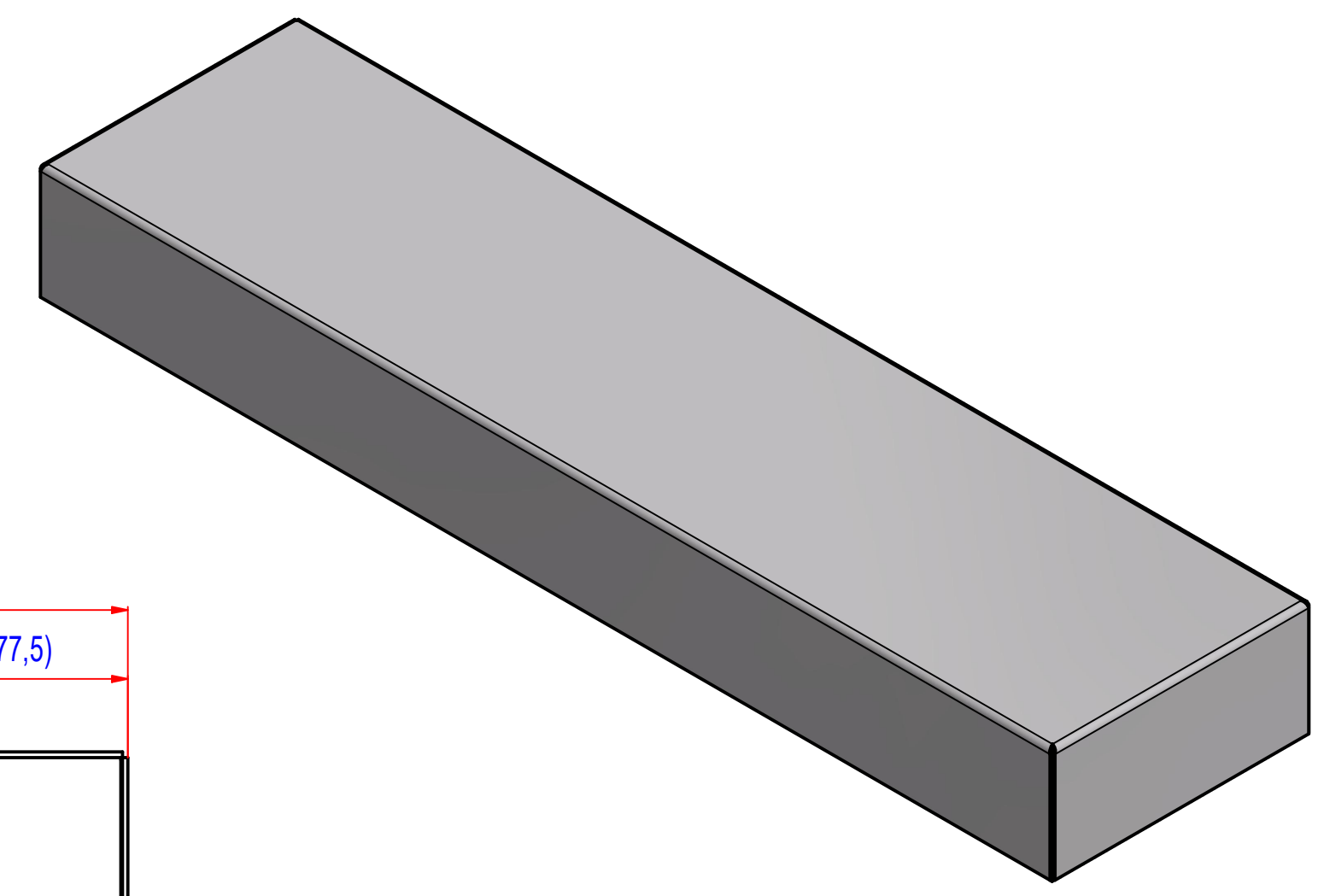
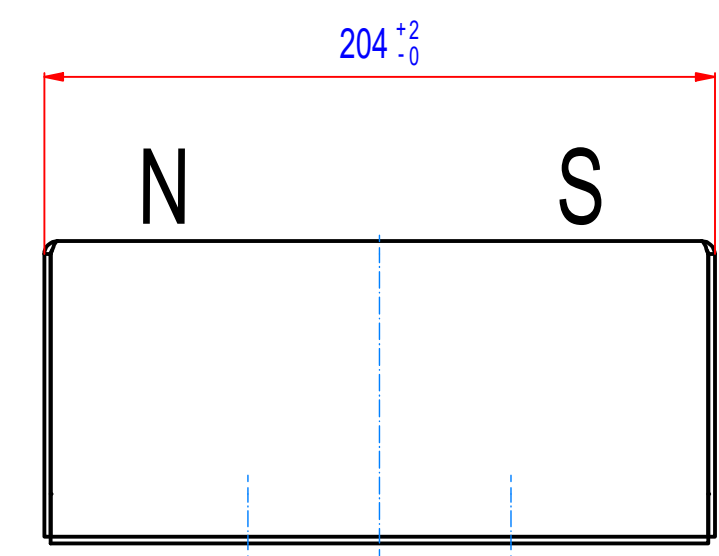


| REV | DATE       | BY | DESCRIPTION                              |
|-----|------------|----|--|
| -   | 03.08.2022 | LF | New Vault, production tolerances changed |



$\square$  2



|                    |                                      |  |                                      |
|--------------------|--------------------------------------|--|--------------------------------------|
|                    | Sheet: A2                            | <b>GOUDSMIT</b><br>MAGNETICS<br><small>© All rights reserved. Reproduction is not permitted without written permission of GOUDSMIT Magnetic Systems BV</small> | General tolerance: ISO 2768 - cL     |
|                    | Drawn: LF                            |  | Weight (kg): 68                      |
| Date: 03.08.2022   | <b>GOUDSMIT</b><br>MAGNETICS         |  | Status:                              |
| Predecessor:       |                                      |  | Customer reference number:           |
| Quick search: VMF4 | Plate magnet, ferrite, 204x92, L=800 |  | Product key: SVM-F-204x92-0800-B-F0E |
| Description:       |                                      |  | Part number: SVMF040800              |
|                    |                                      |  | Rev: -                               |