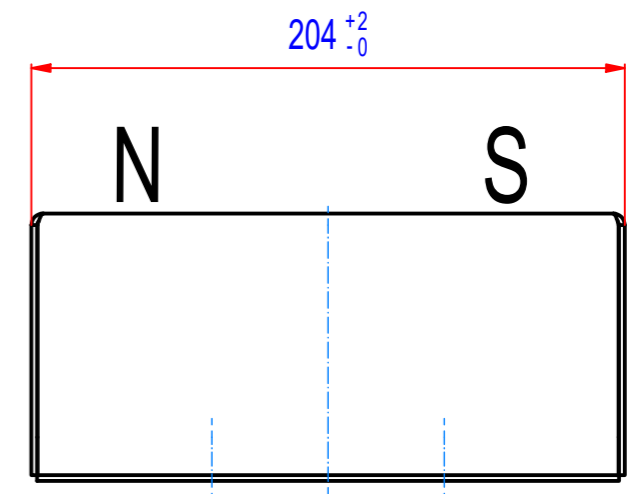
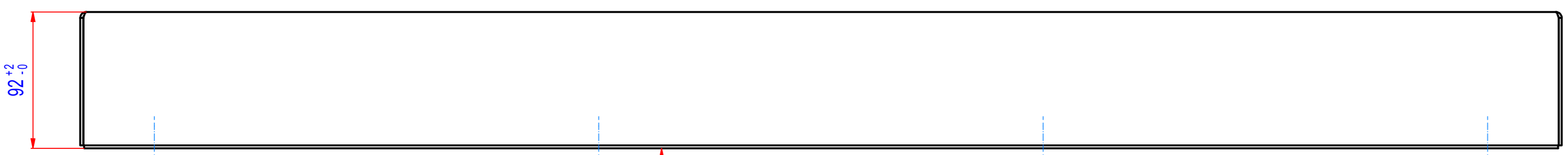
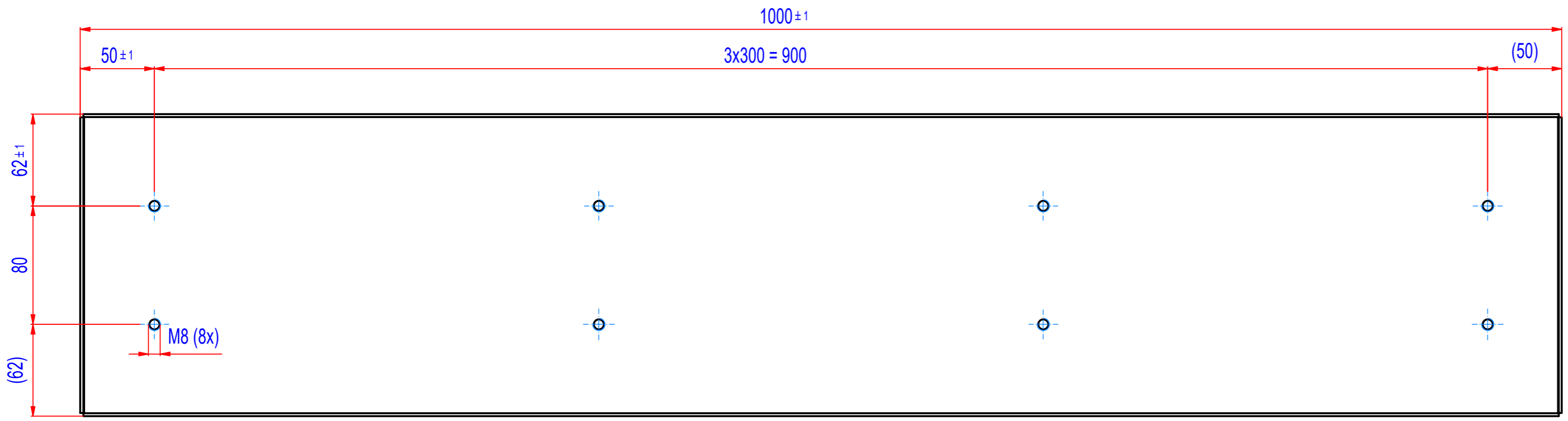
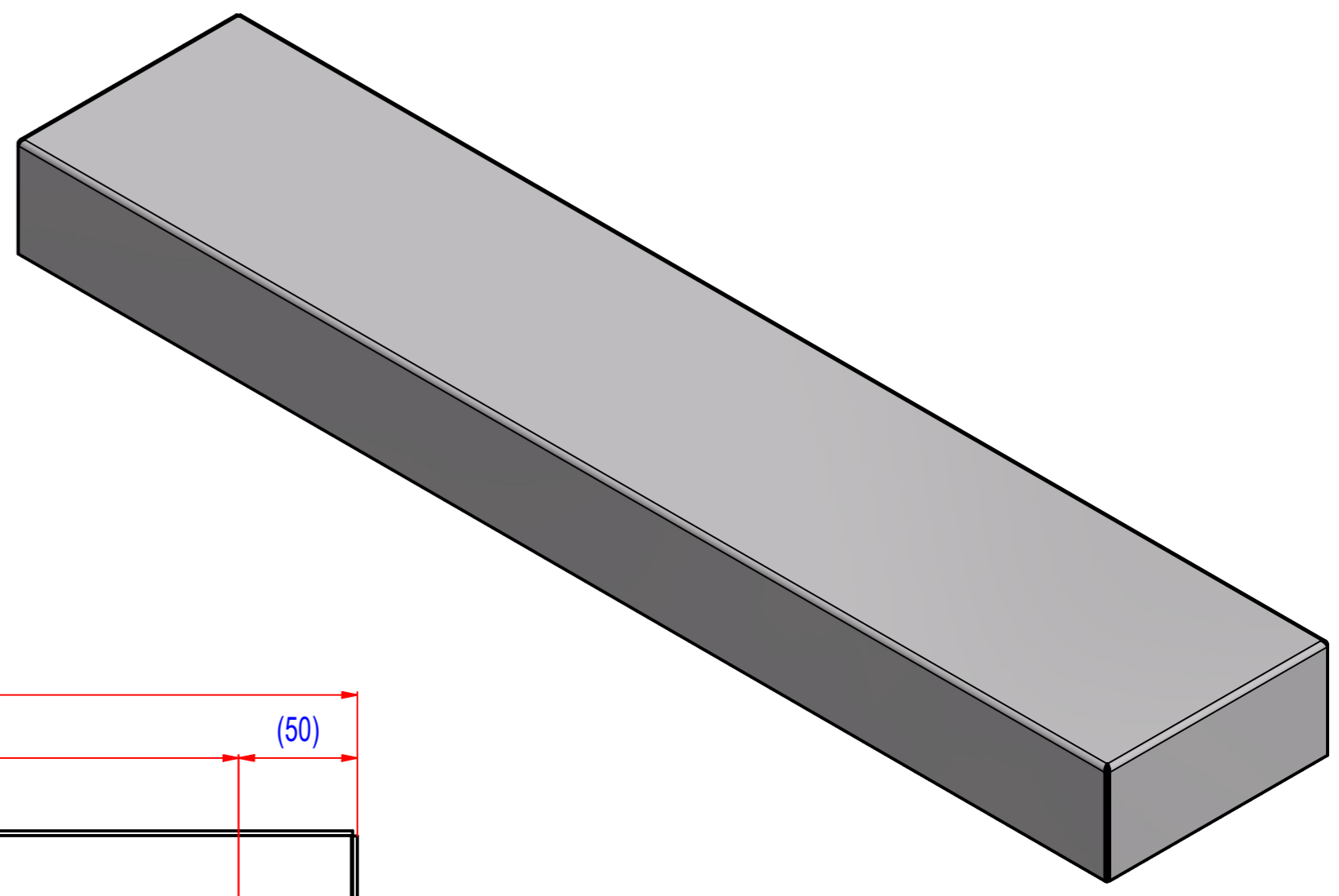


REV	DATE	BY	DESCRIPTION
-	13.06.2018	PW	New Vault, production tolerances changed



2

	Sheet: A2	Extra info:	General tolerance: ISO 2768 - cL
Drawn: PW	Weight (kg): 85.1		Drawn according: ISO268; ISO1101; ISO2553
Date: 13.06.2018	Predecessor:		Status:
Quick search: VMF4	© All rights reserved. Reproduction is not permitted without written permission of GOUDSMIT Magnetic Systems BV		Customer reference number:
Description: Plate magnet, ferrite, 204x92, L=1000			Product key: SVM-F-204x92-1000-B-F0E
		Part number: SVMF041000	Rev: -