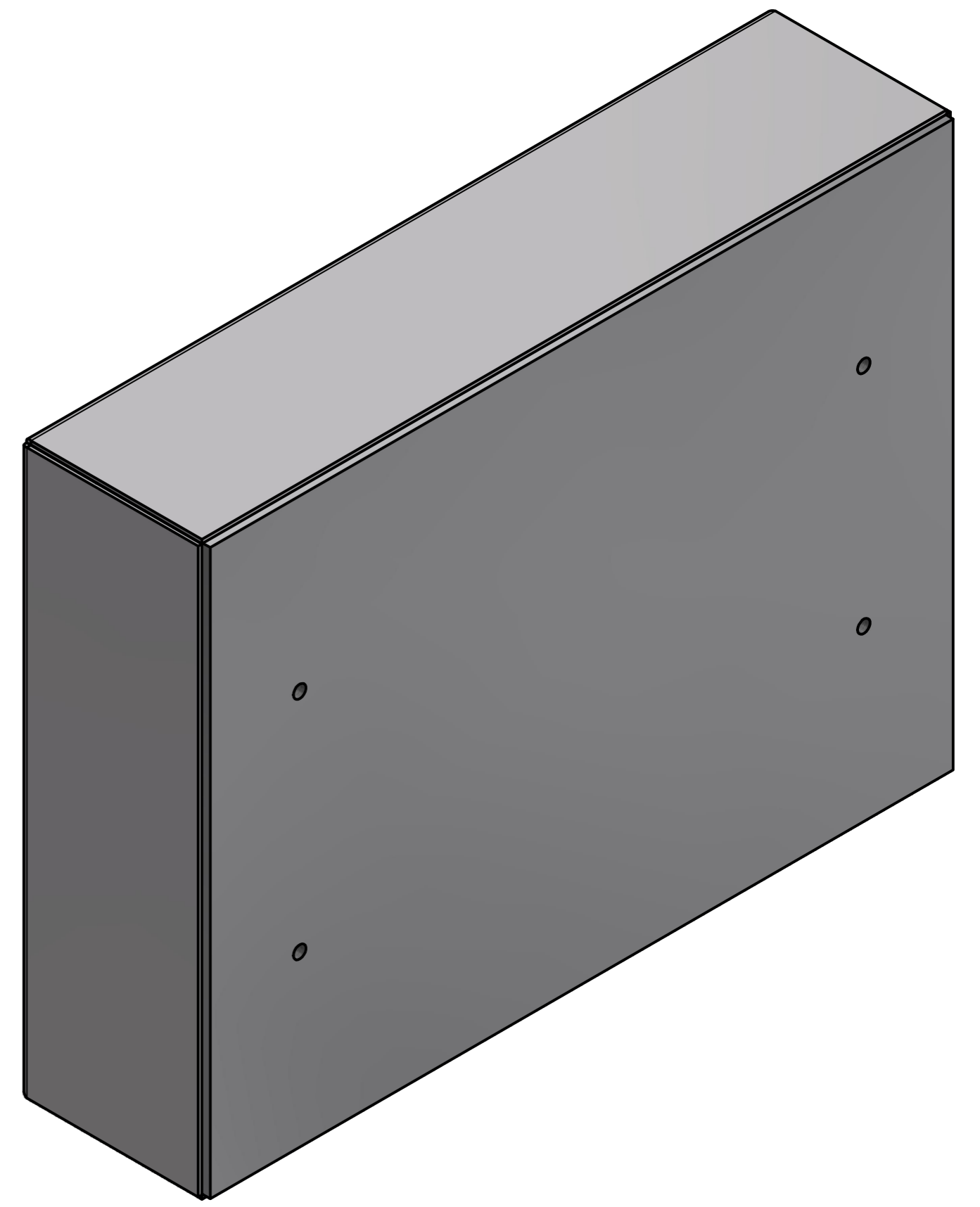
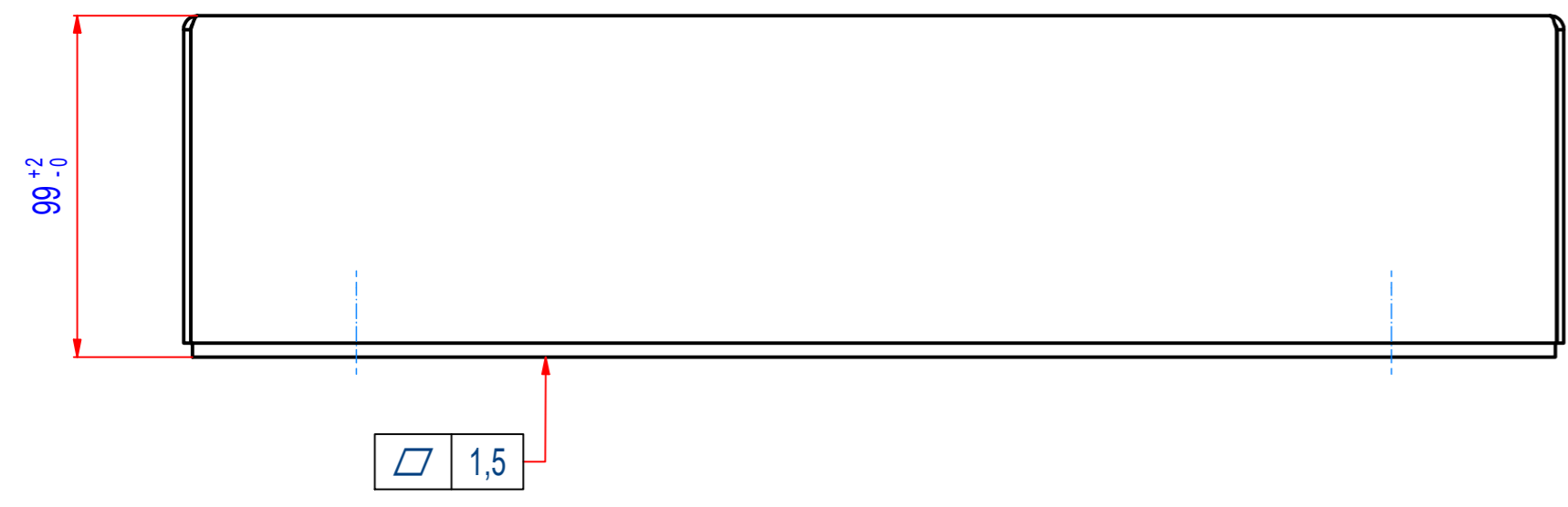
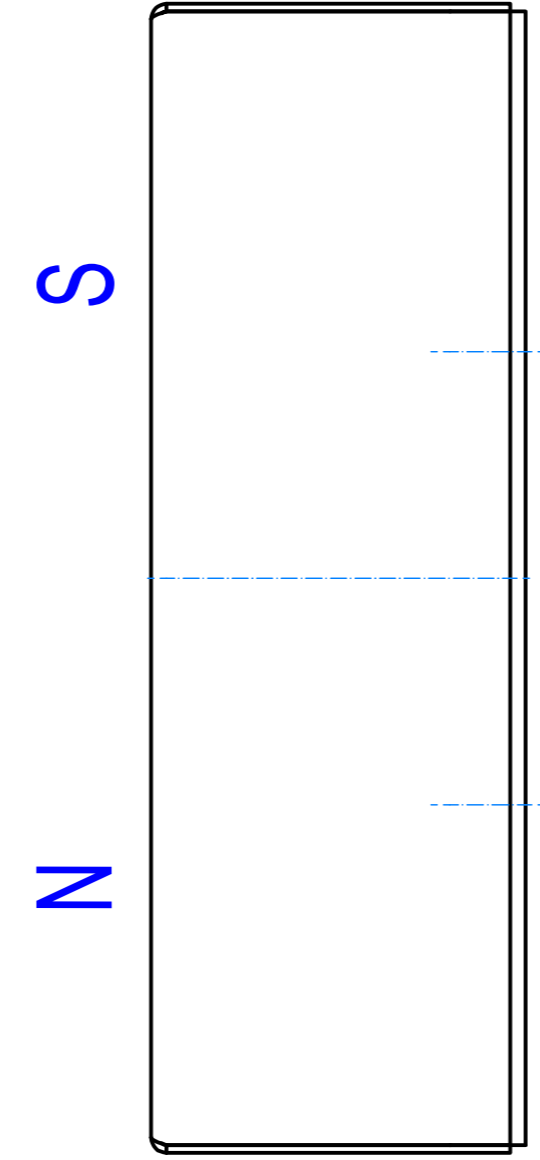
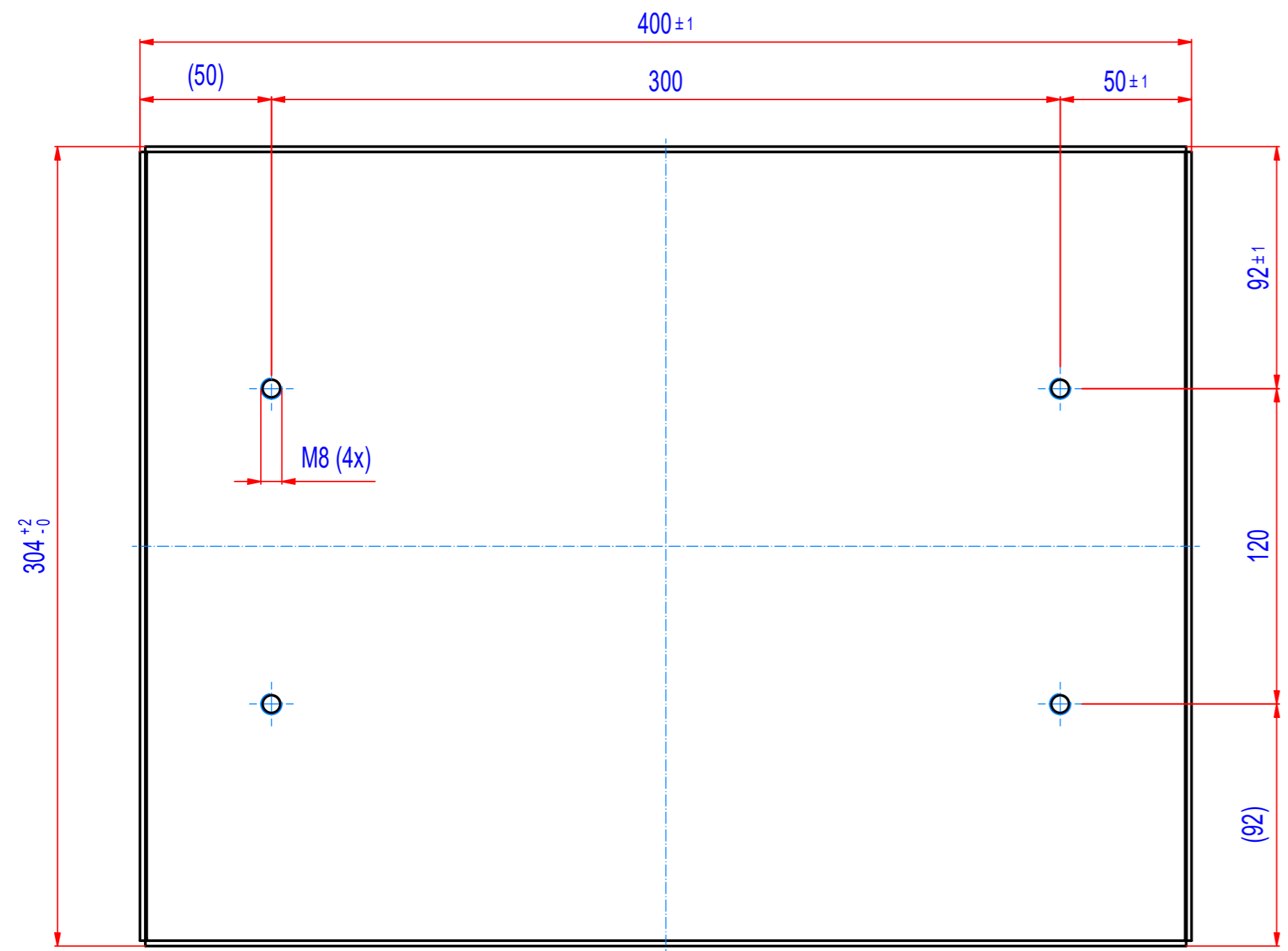


REV	DATE	BY	DESCRIPTION
-	09.12.2016	LF	New Vault, production tolerances added



	Sheet: A2	Extra info:	General tolerance: ISO 2768 - cL
Drawn: LF	Weight (kg): 58.7		Drawn according: ISO268; ISO1101; ISO2553
Date: 9.12.2016	Predecessor:		Status:
Quick search: XSVM 304x99	<small>© All rights reserved. Reproduction is not permitted without written permission of GOUDSMIT Magnetic Systems BV</small>		Customer reference number:
Description: Plate magnet, ferrite, 304x99, L=400			Product key: SVM-F-304x99-0400-B-F0E
		Part number: SVMF050400	Rev: -