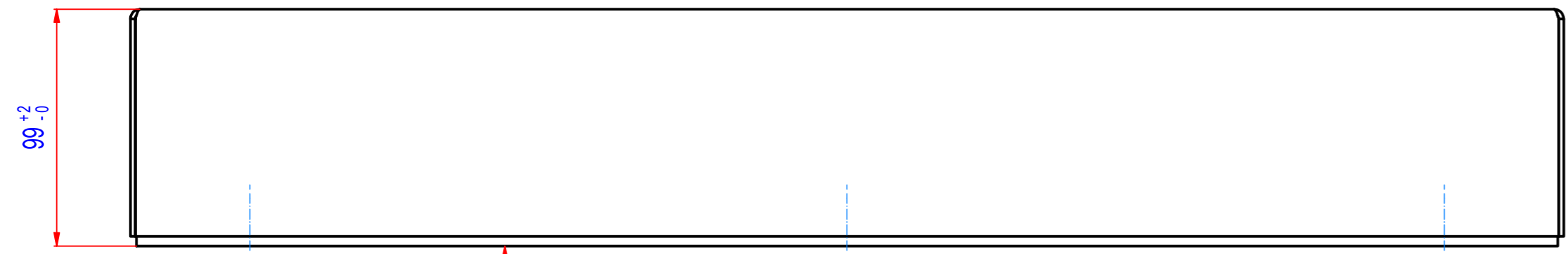
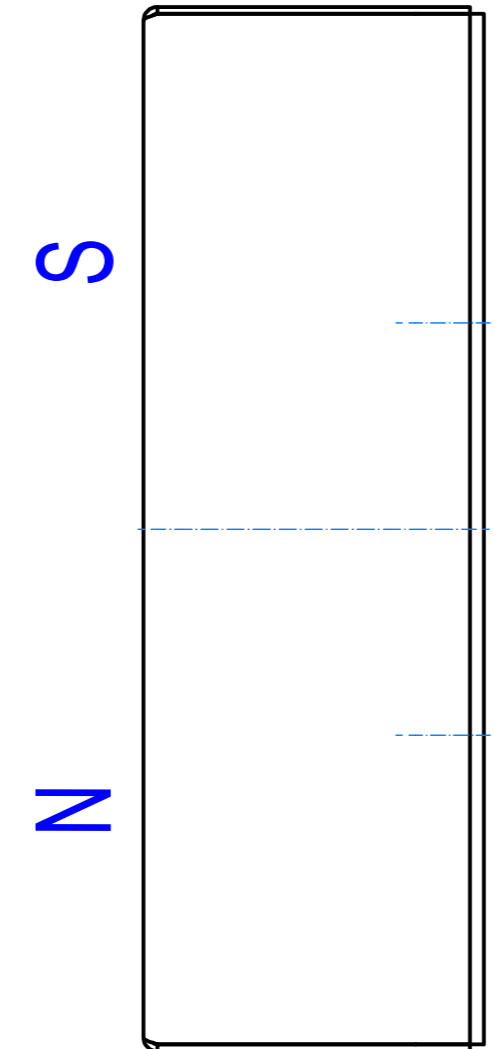
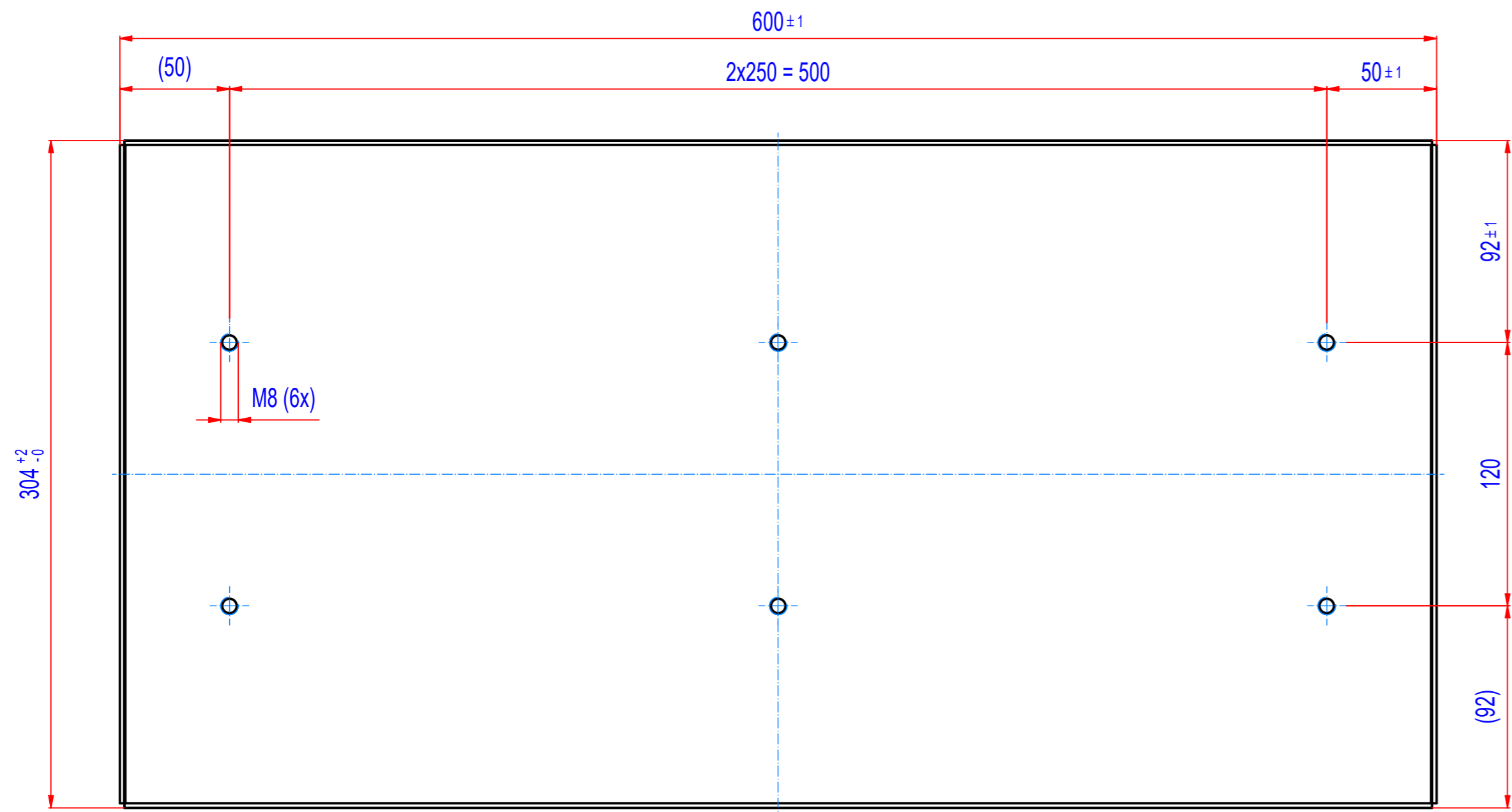
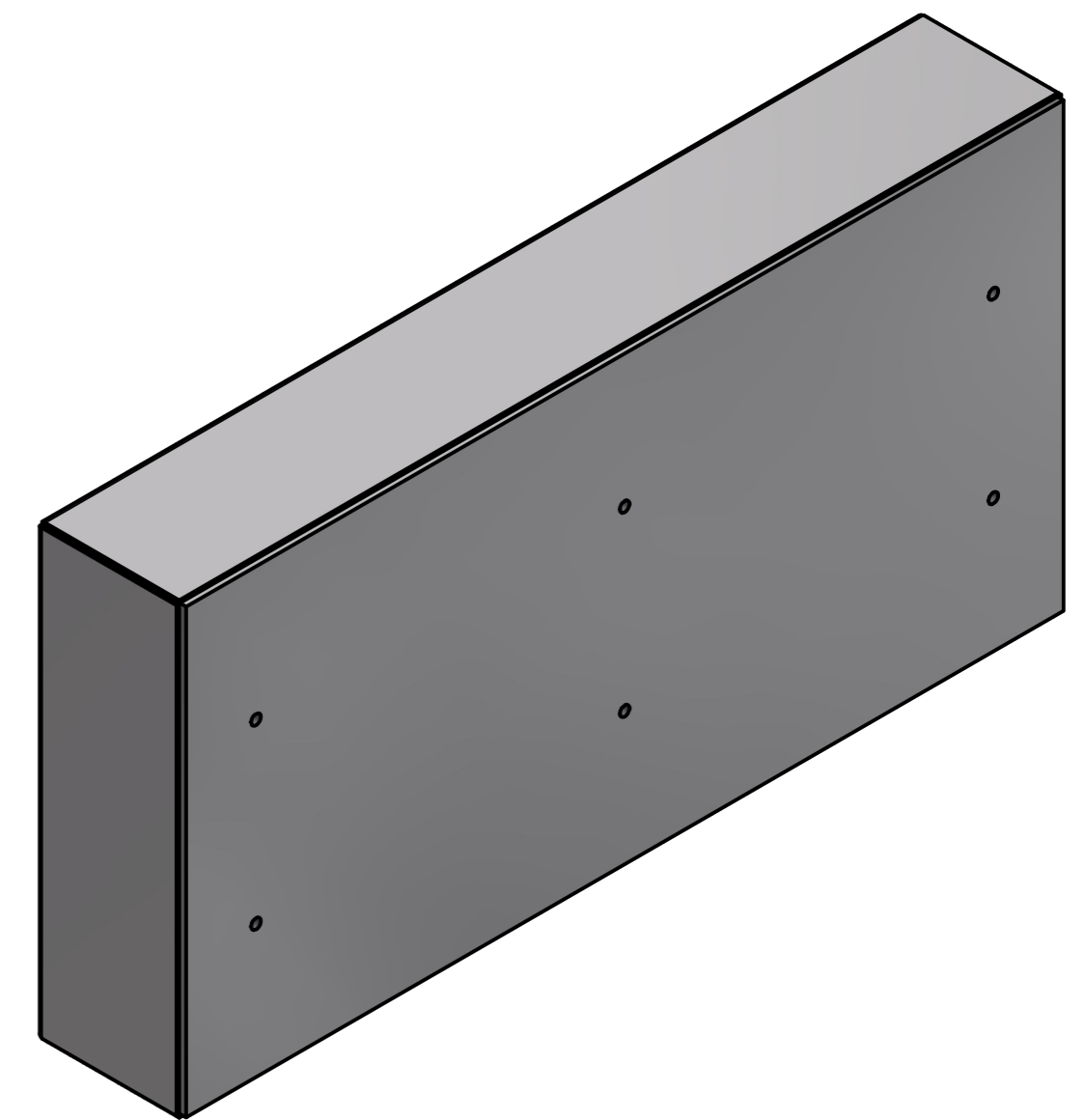


REV	DATE	BY	DESCRIPTION
-	12.05.2018	PW	New Vault, production tolerances added



2



	Sheet: A2	Extra info:	General tolerance: ISO 2768 - cL
Drawn: PW	Weight (kg): 89.2		Drawn according: ISO268; ISO1101; ISO2553
Date: 12.5.2018	Predecessor:		Status:
Quick search: XSVM 304x99	© All rights reserved. Reproduction is not permitted without written permission of GOUDSMIT Magnetic Systems BV		Customer reference number:
Description: Plate magnet, ferrite, 304x99, L=600			Product key: SVM-F-304x99-0600-B-F0E
			Part number: SVMF050600
			Rev: -