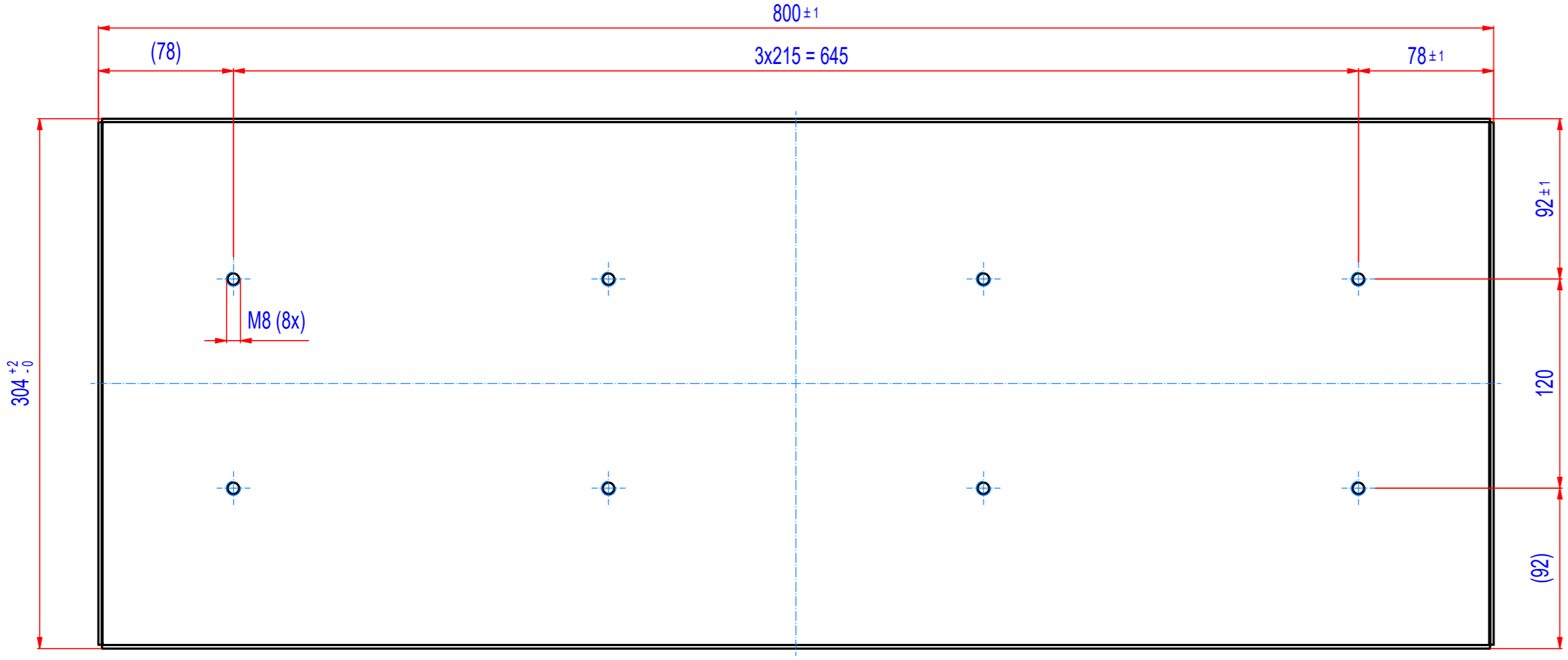
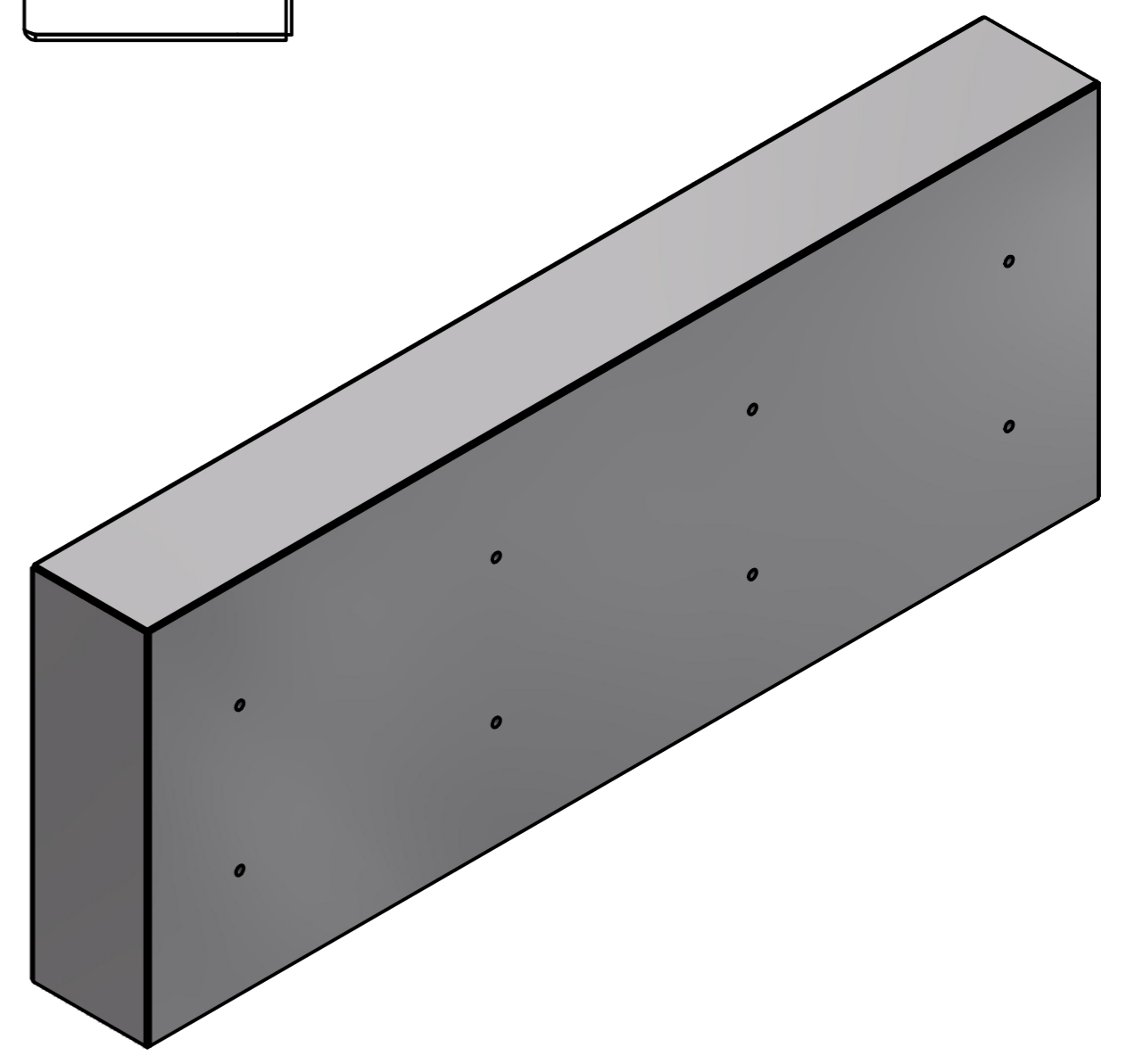
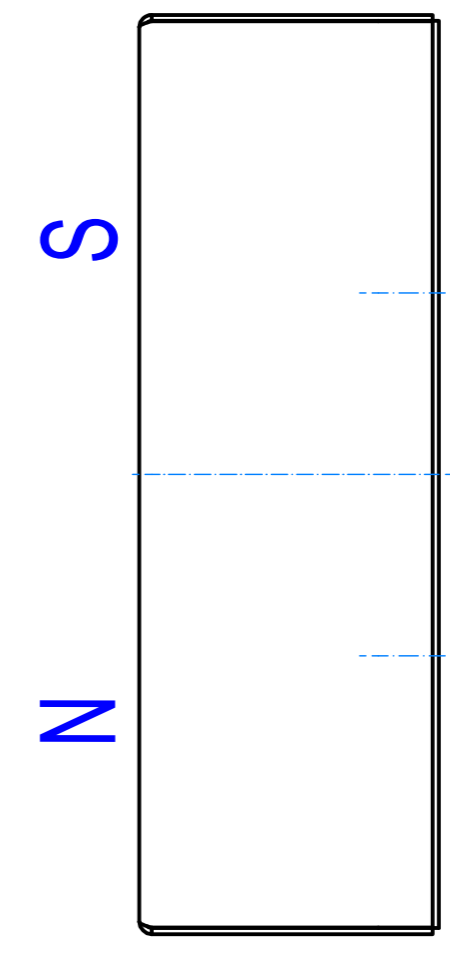


| REV | DATE       | BY | DESCRIPTION                            |
|-----|------------|----|--|
| -   | 22.03.2017 | EN | New Vault, production tolerances added |



2



|   |   |                         |   |
|---|---|-------------------------|---|
|   | Sheet: A2   | Extra info:             | General tolerance: ISO 2768 - cL          |
| Drawn: EN   | Weight (kg): 117  |                         | Drawn according: ISO268; ISO1101; ISO2553 |
| Date: 22.03.2017                                  | Predecessor:  |                         | Status:                                   |
| Quick search: XSVM 304x99                         | © All rights reserved. Reproduction is not permitted without written permission of GOUDSMIT Magnetic Systems BV |                         | Customer reference number:                |
| Description: Plate magnet, ferrite, 304x99, L=800 |   |                         | Product key: SVM-F-304x99-0800-B-F0E      |
|   |   | Part number: SVMF050800 | Rev: -                                    |