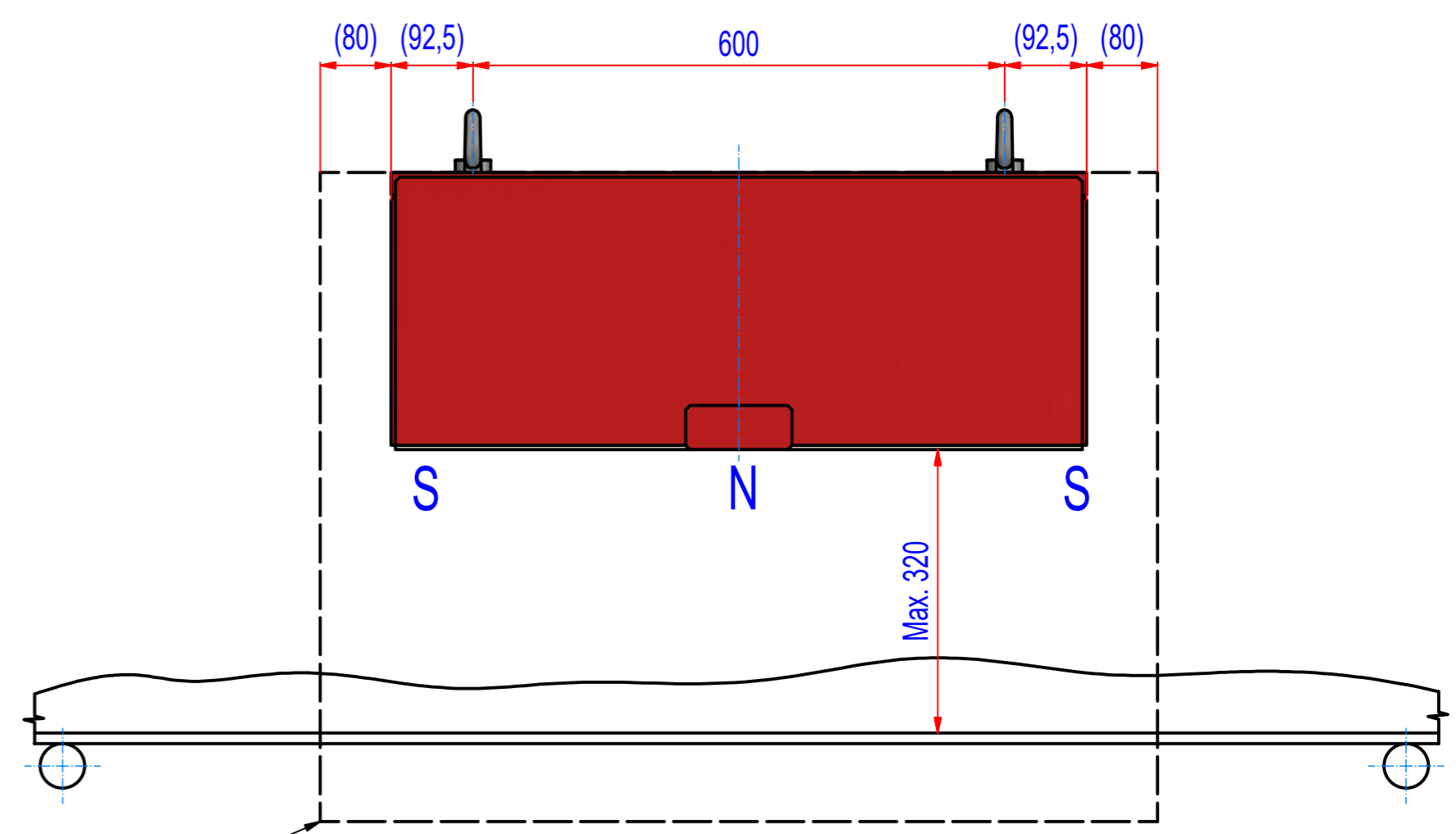
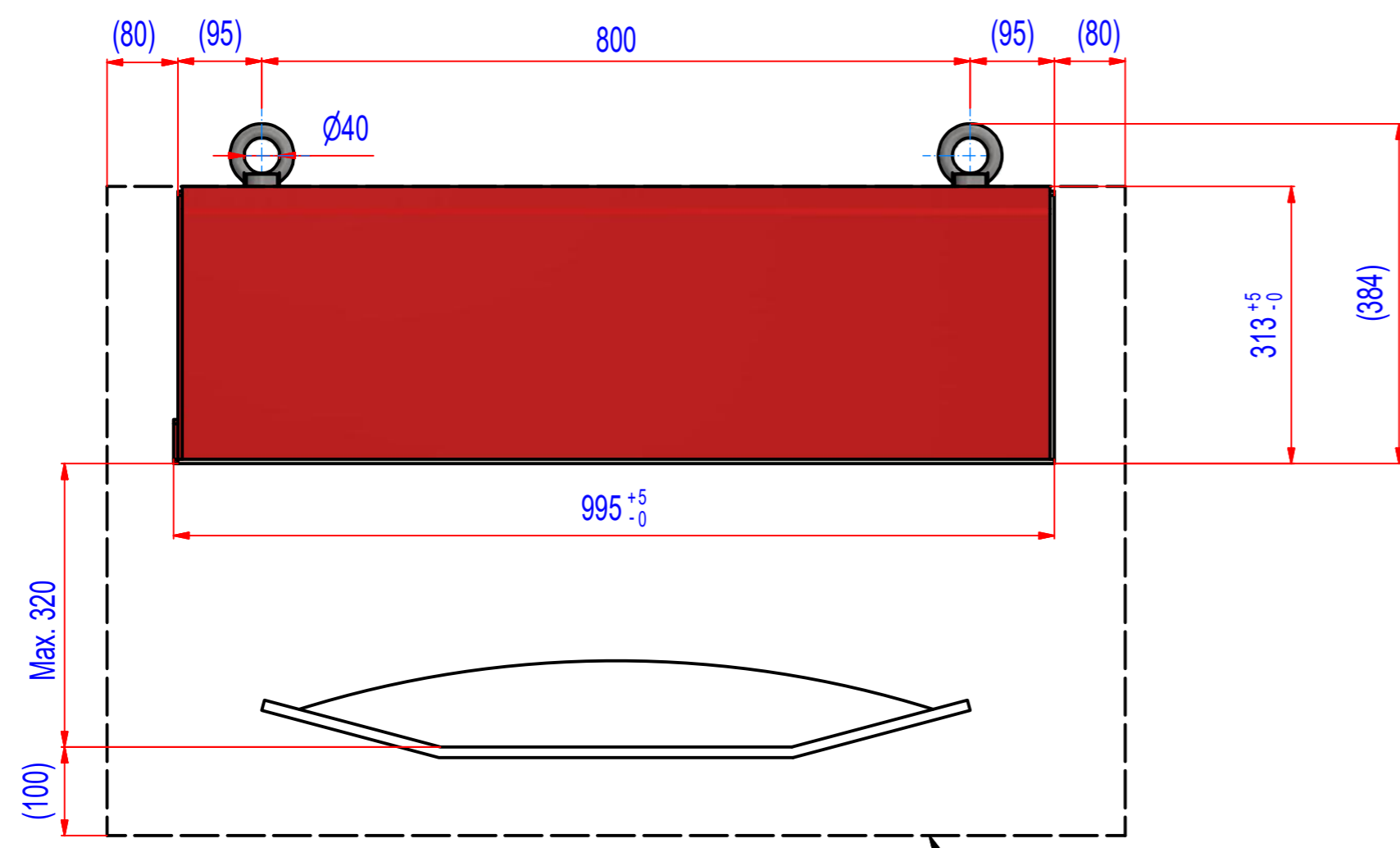
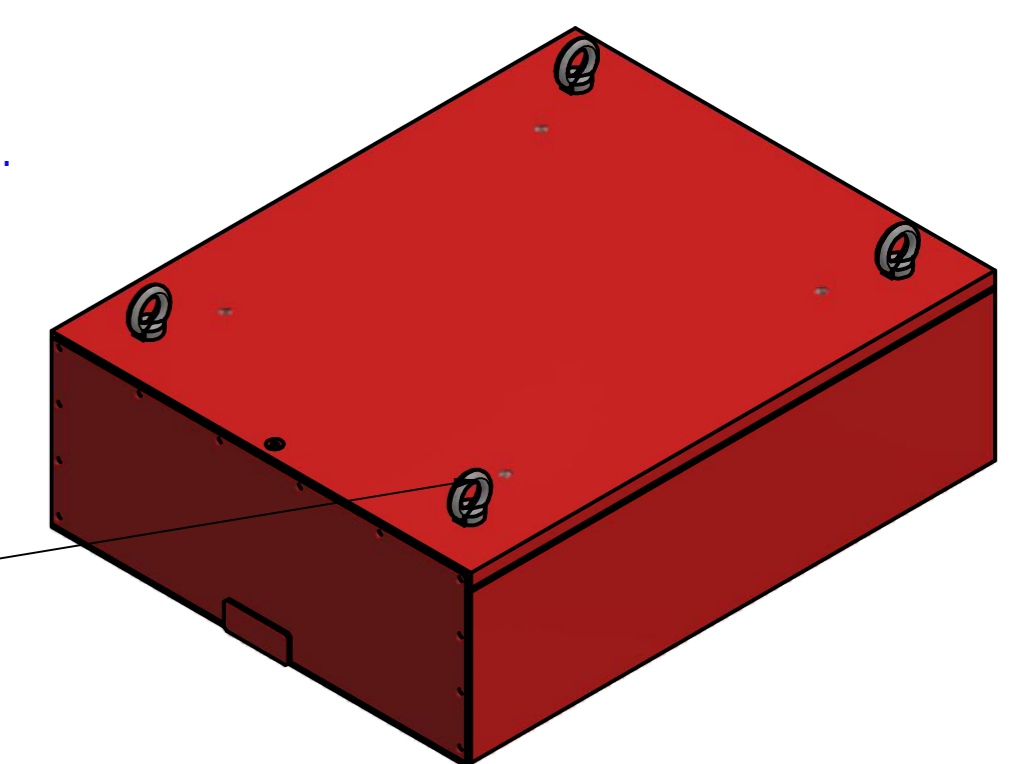
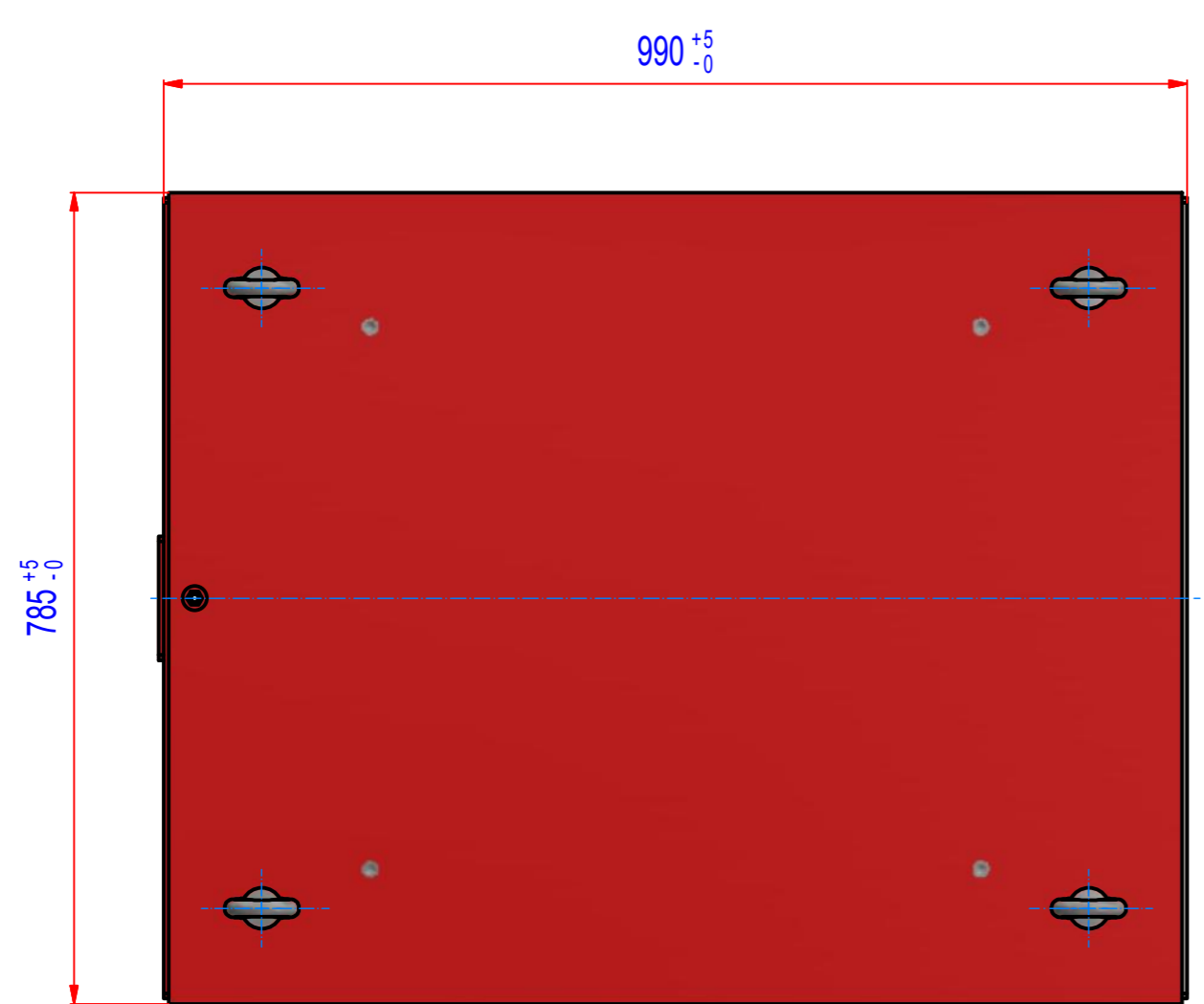


REV	BY	DATE	DESCRIPTION
-	PW	23.10.2018	New Vault, width updated
-	VZ	17.07.2020	Installation height sketch added



Oblast použití nemagnetických materiálů.
 Feromagnetické materiály by negativně ovlivnily výsledky separace.
 Více detailů naleznete v návodu, nebo nás kontaktujte. /
 Area where usage of magnetic materials is forbidden.
 Ferrous parts will have a negative influence to the Fe separation.
 Refer to the manual or contact us for more details.



4x Závěsný šroub M20 DIN 580 /
 4x eye bolt M20 DIN 580

1	A444_00000	SVMF071000	977,2
POZ./POS.	Č. SOUČÁSTI/ PART NUMBER	POPIS / DESCRIPTION	HMOT./ WEIGHT
APPROVAL PLEASE			
Date:	Order ref.:	Responsible person:	
Sheet: A2	Extra info:		General tolerance: ISO 2768 - cL
Drawn: PW	Weight (kg): 977,2 kg	Drawn according: ISO268; ISO1101; ISO2553	
Date: 23.10.2018	GOUDSMIT MAGNETICS		Status:
Predecessor:			Customer reference number:
Quick search: XRBP07	<small>© All rights reserved. Reproduction is not permitted without written permission of GOUDSMIT Magnetic Systems BV</small>		Product key: SVM-F-785x313-1000-F-F0E
Description: Block magnet, 785x313, L=1000			Part number: SVMF071000