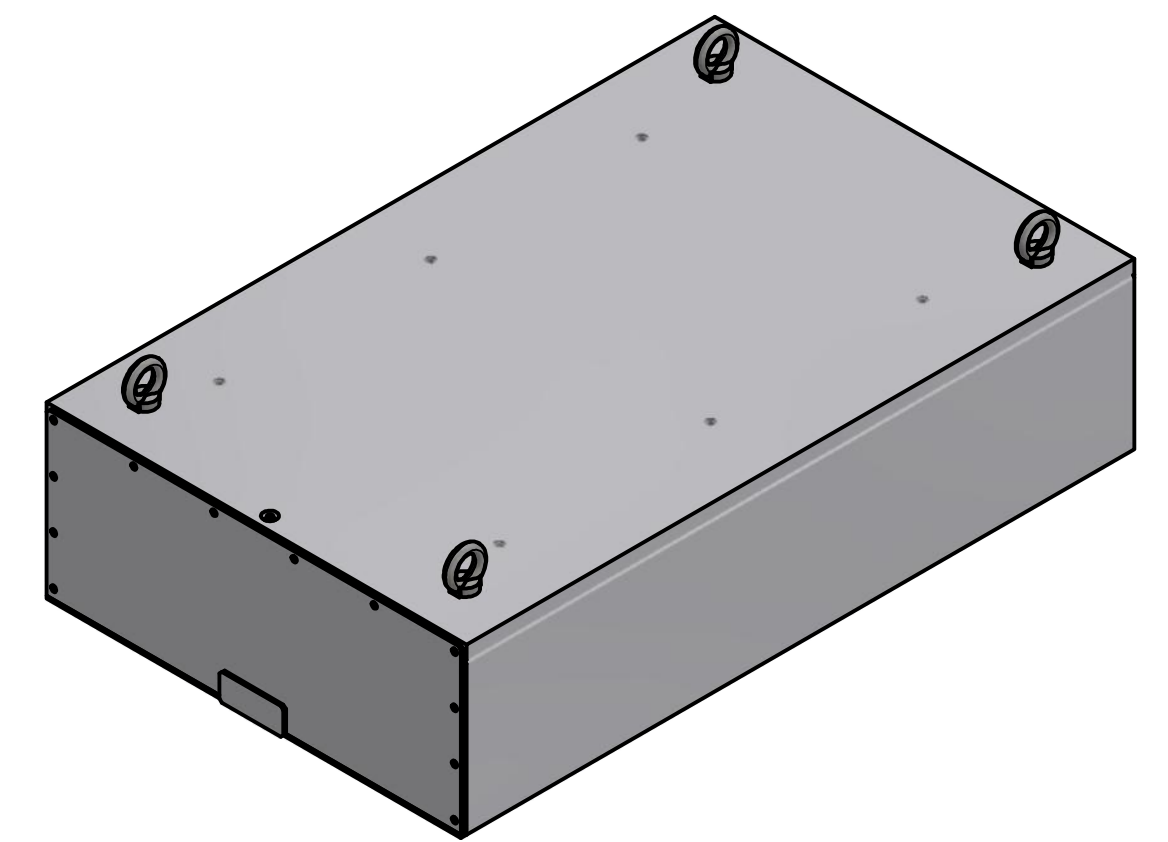
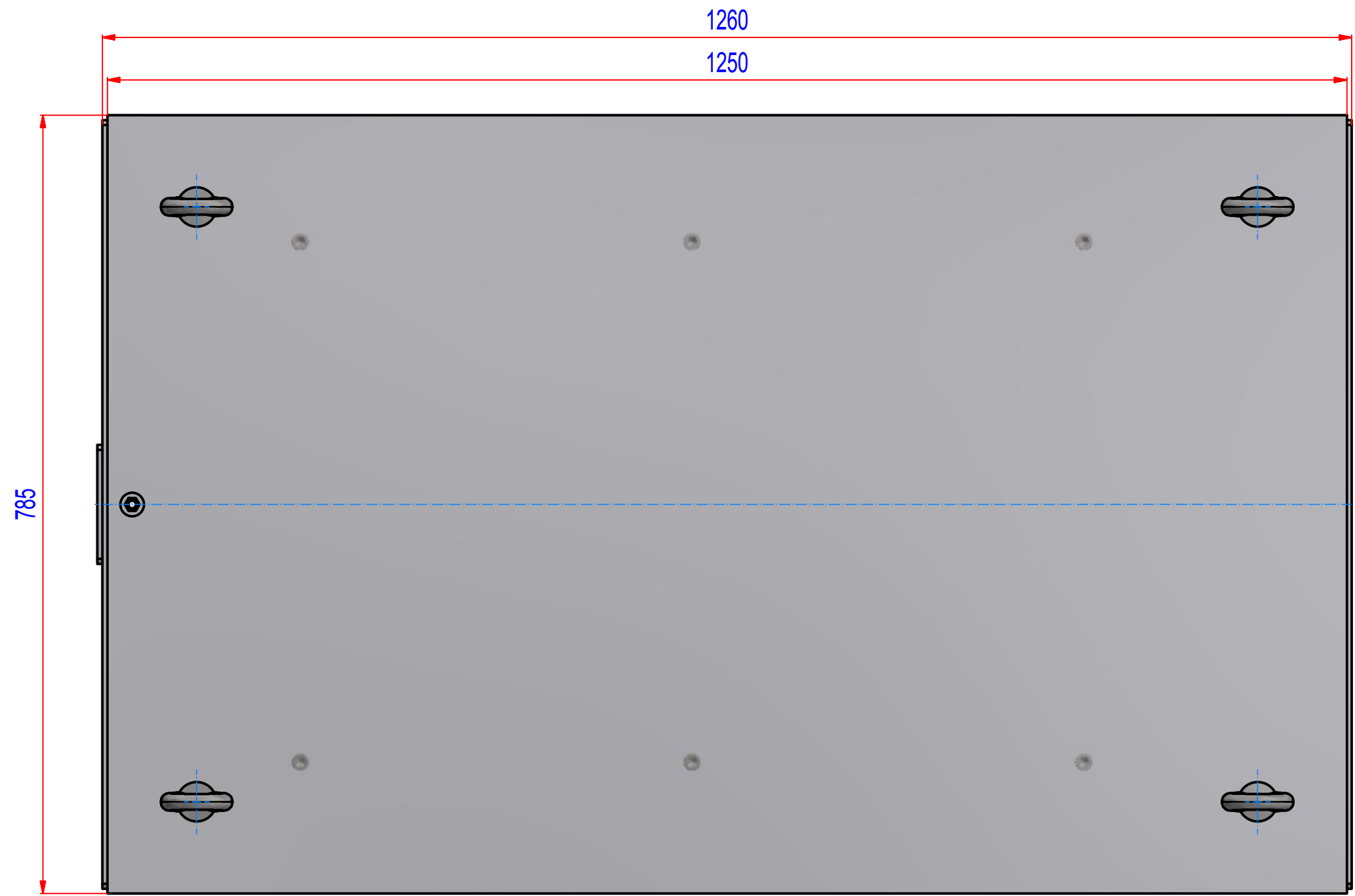
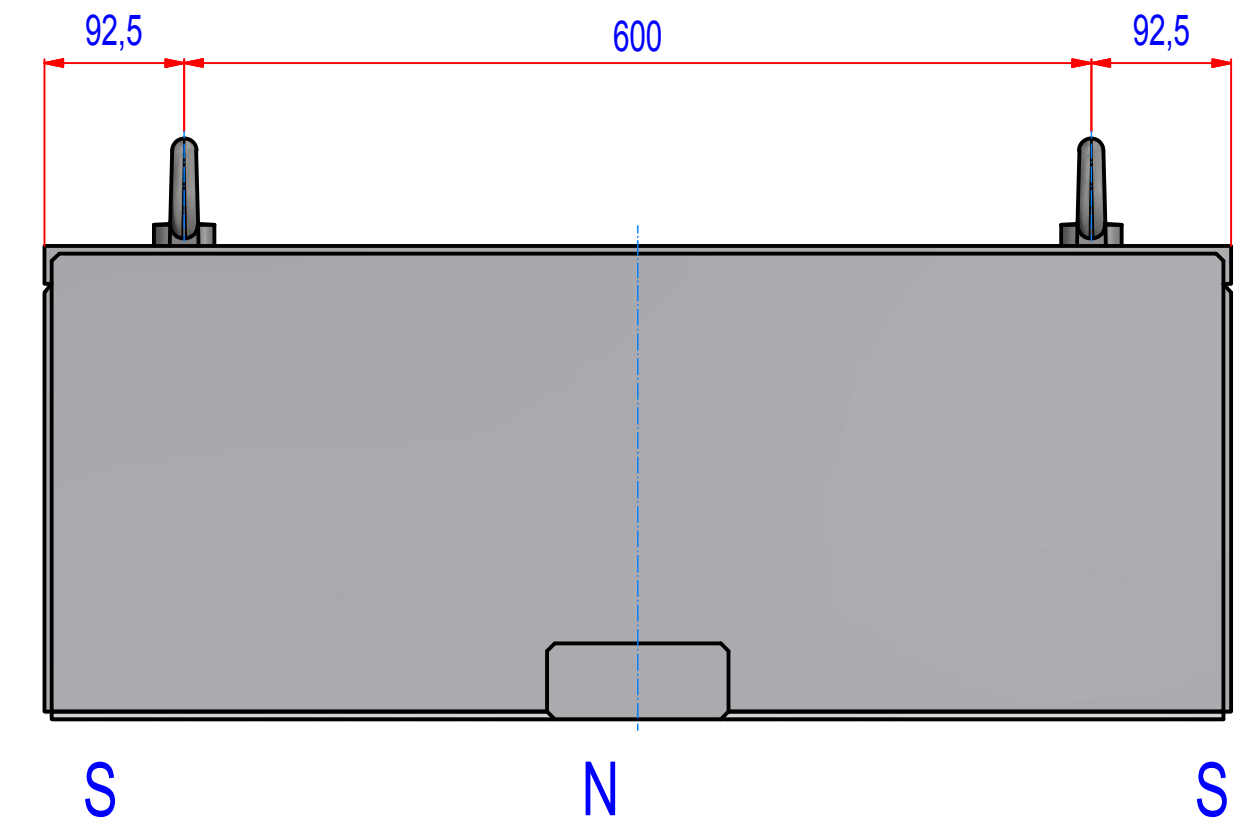
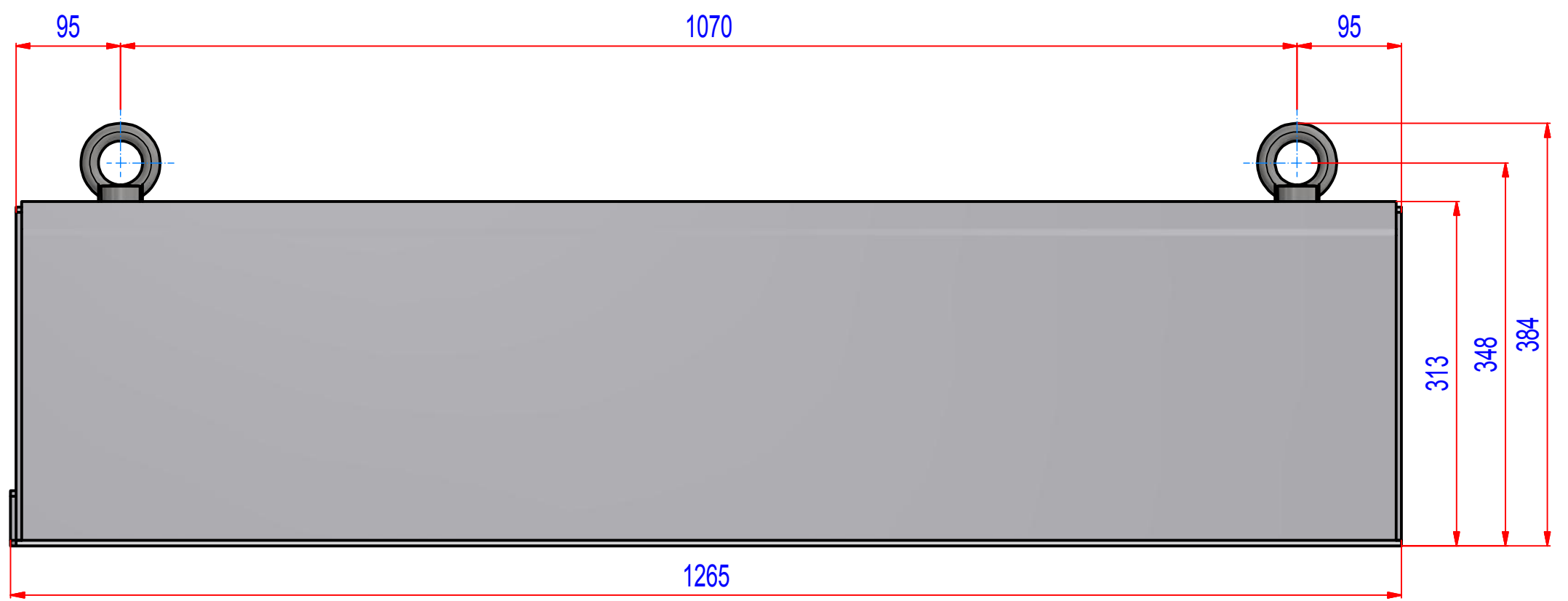


REV	BY	DATE	DESCRIPTION
-	PW	20.07.2017	ORIGINAL DRAWING



1	A208_000000	SVMF071200	1196,3
POZ./POS.	Č. SOUČÁSTI/ PART NUMBER	POPIS / DESCRIPTION	HMOT./ WEIGHT
Sheet: A2 Drawn: PW Date: 20.7.2017 Predecessor:	Weight (kg): 1196,2 <small>© All rights reserved. Reproduction is not permitted without written permission of GOUDSMIT Magnetic Systems BV</small>	Extra info: General tolerance: ISO 2768 - cL Drawn according: ISO268; ISO1101; ISO2553 Status: Customer reference number: Product key: SVM-F-780x313-1200-F-FOE Part number: SVMF071200 Rev: -	
Quick search: SVMF		Description: Block magnet, 785x313, L=1200	