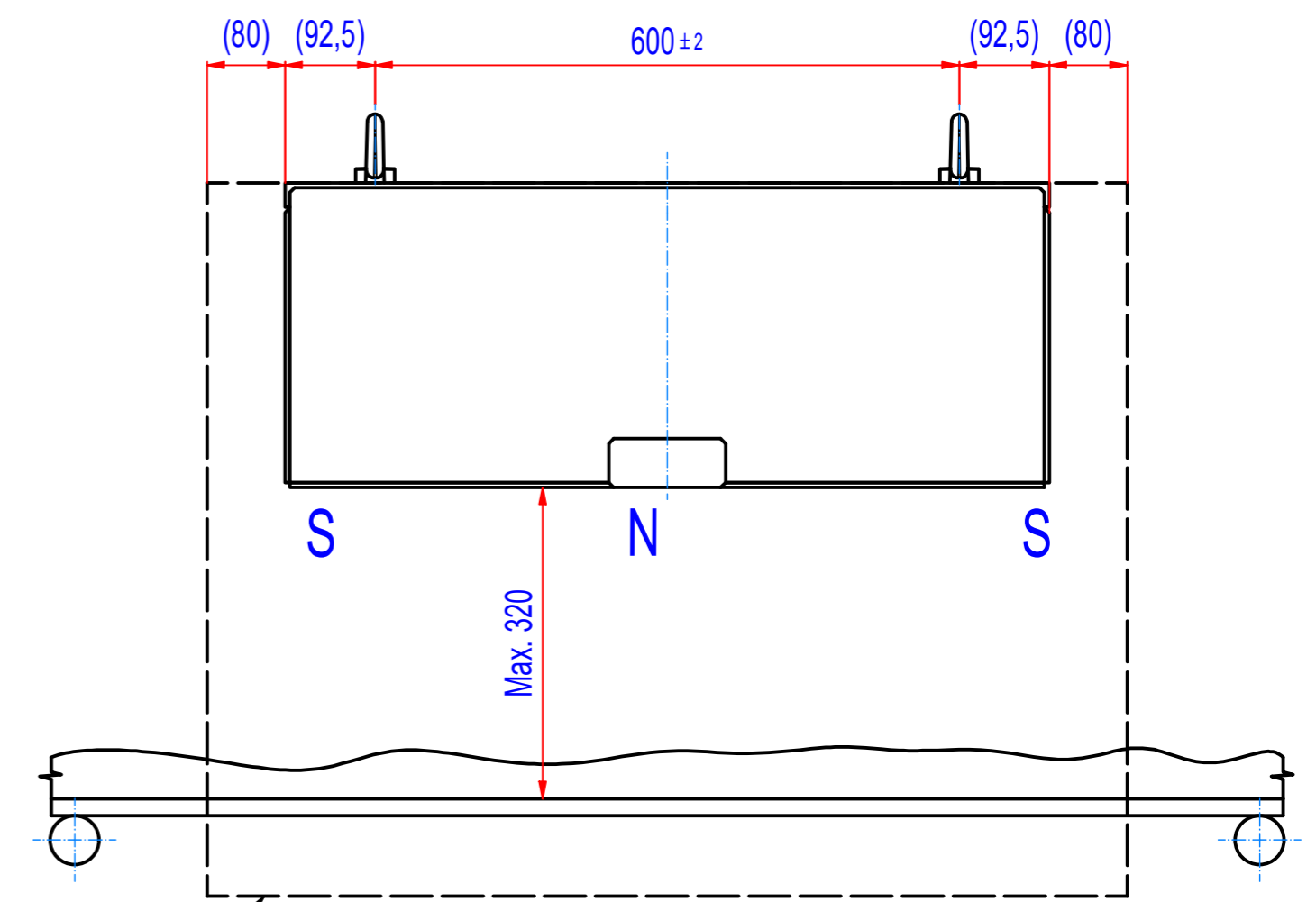
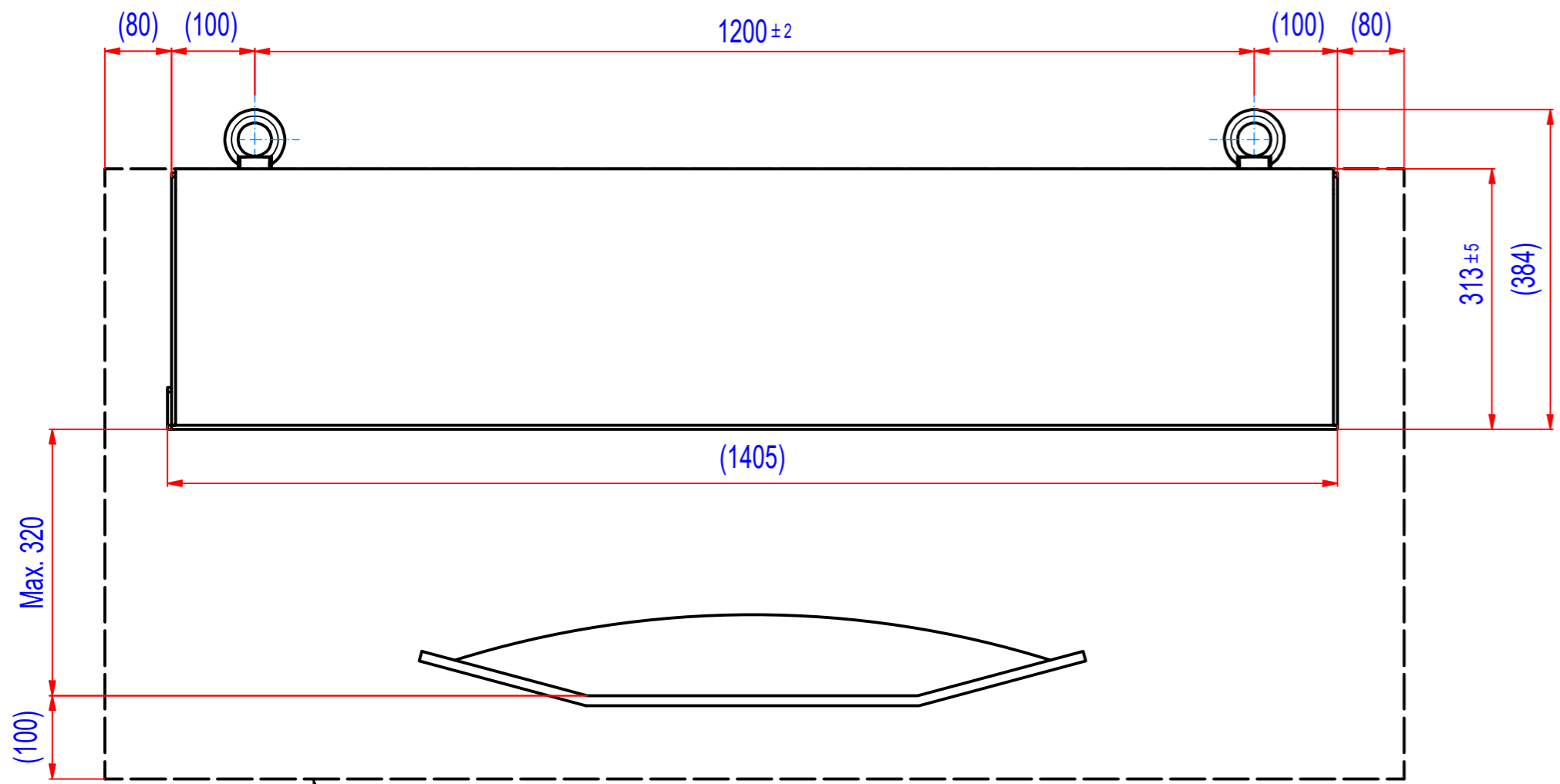
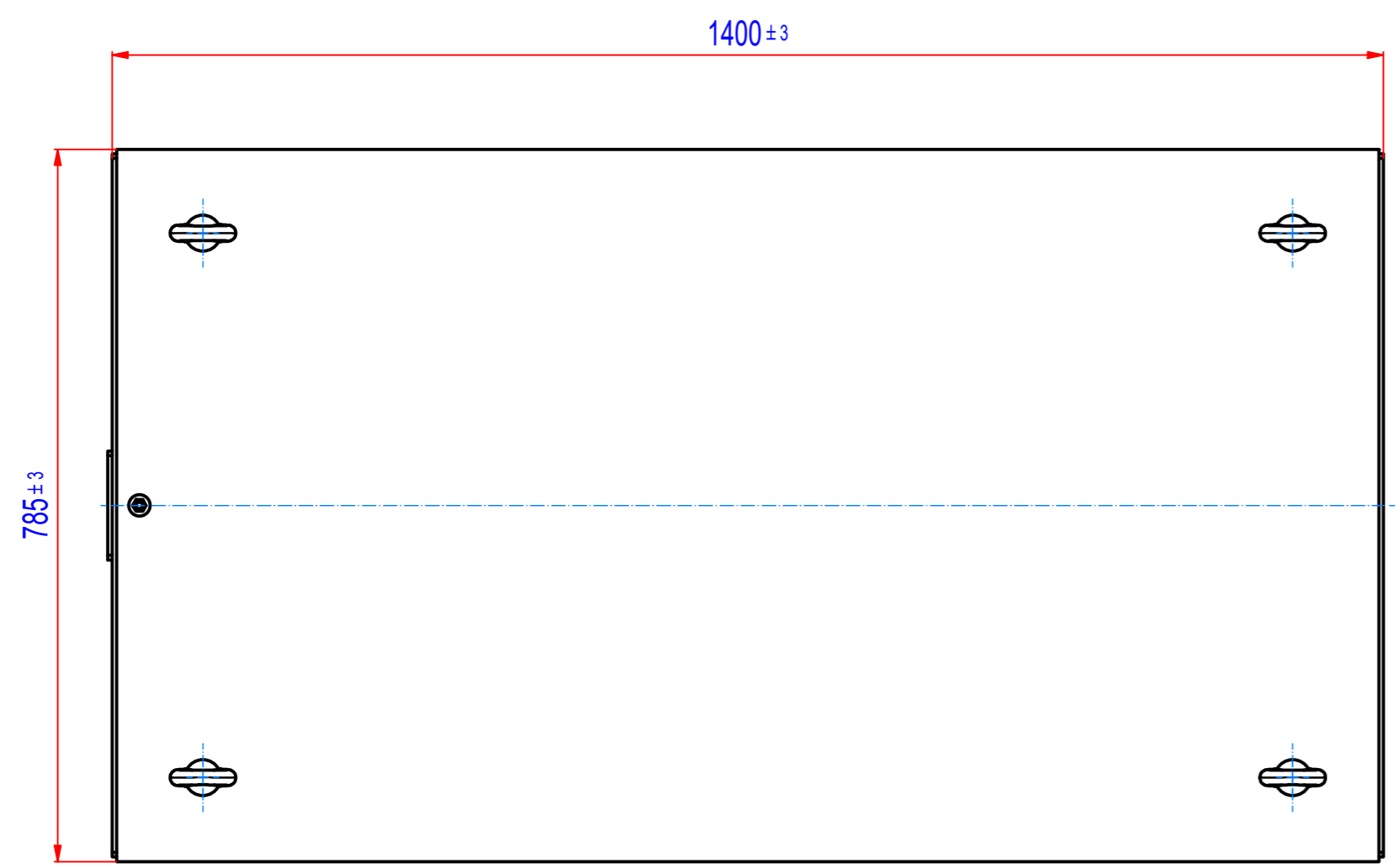


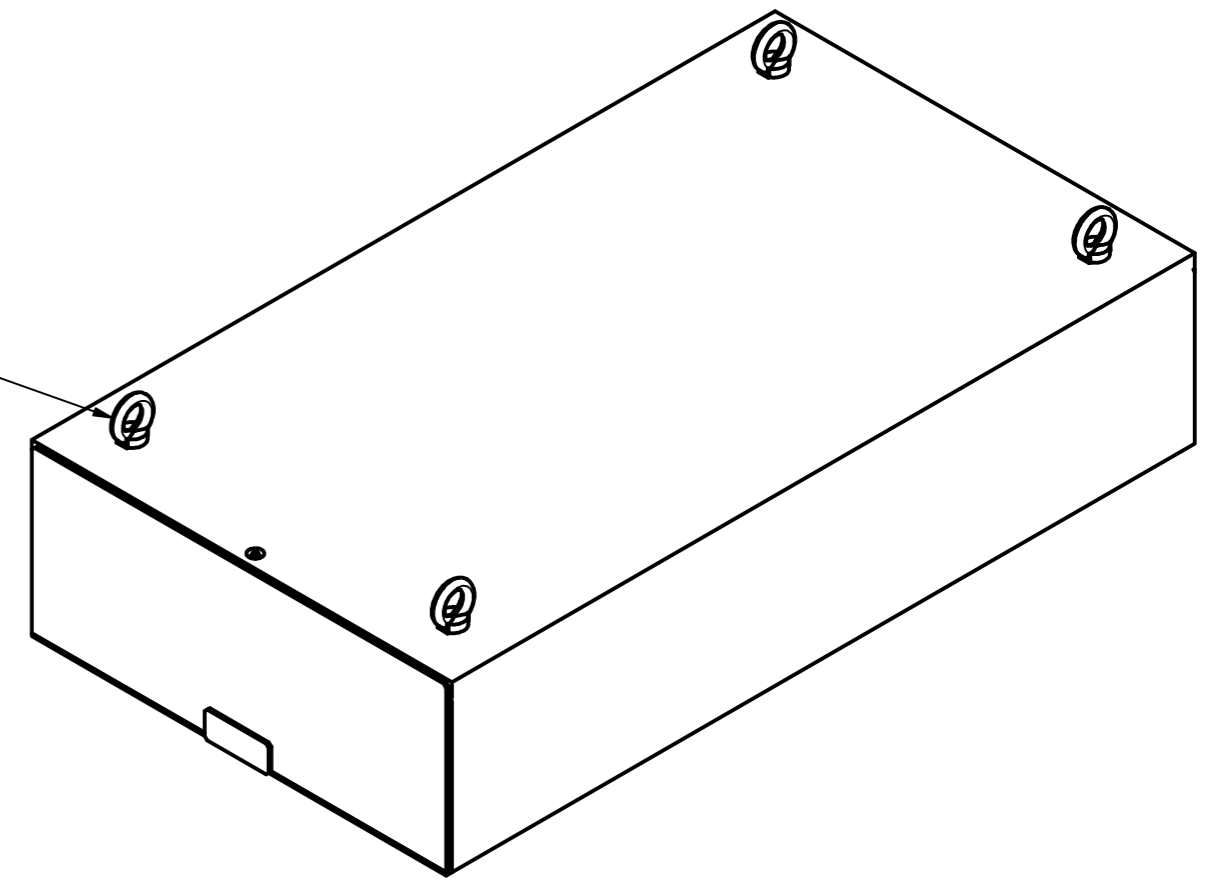
REV	BY	DATE	DESCRIPTION
-	EN	06.04.2021	Original drawing



Area of strong effect of magnetic field with influence to Fe separation.  
Magnetic field has an effect also to surrounding structures (supports, frames) and devices.  
We recommend to consult with manufacturer.



4x eye bolt M20 DIN 580



Place warning pictograms near the magnet, see the manual.

1	B222_000000	Blokový magnet, 785x313, L=1400	1392
POZ./POS.	Č. SOUČÁSTI/ PART NUMBER	POPIS / DESCRIPTION	HMOT./ WEIGHT
<b>APPROVAL PLEASE</b>			
Date:	Order ref.:	Responsible person:	
 Sheet: A2 Drawn: EN Date: 06.04.2021 Predecessor:	Weight (kg): 1392 Extra info:	General tolerance: ISO 2768 - cL Drawn according: ISO268; ISO1101; ISO2553 Status:	
Quick search: SVMF Description: Block magnet, 785x313, L=1400	 <small>© All rights reserved. Reproduction is not permitted without written permission of GOUDSMIT Magnetic Systems BV</small>		Customer reference number: Product key: SVM-F-780x313-1400-F-FOE Part number: SVMF071400 Rev: -