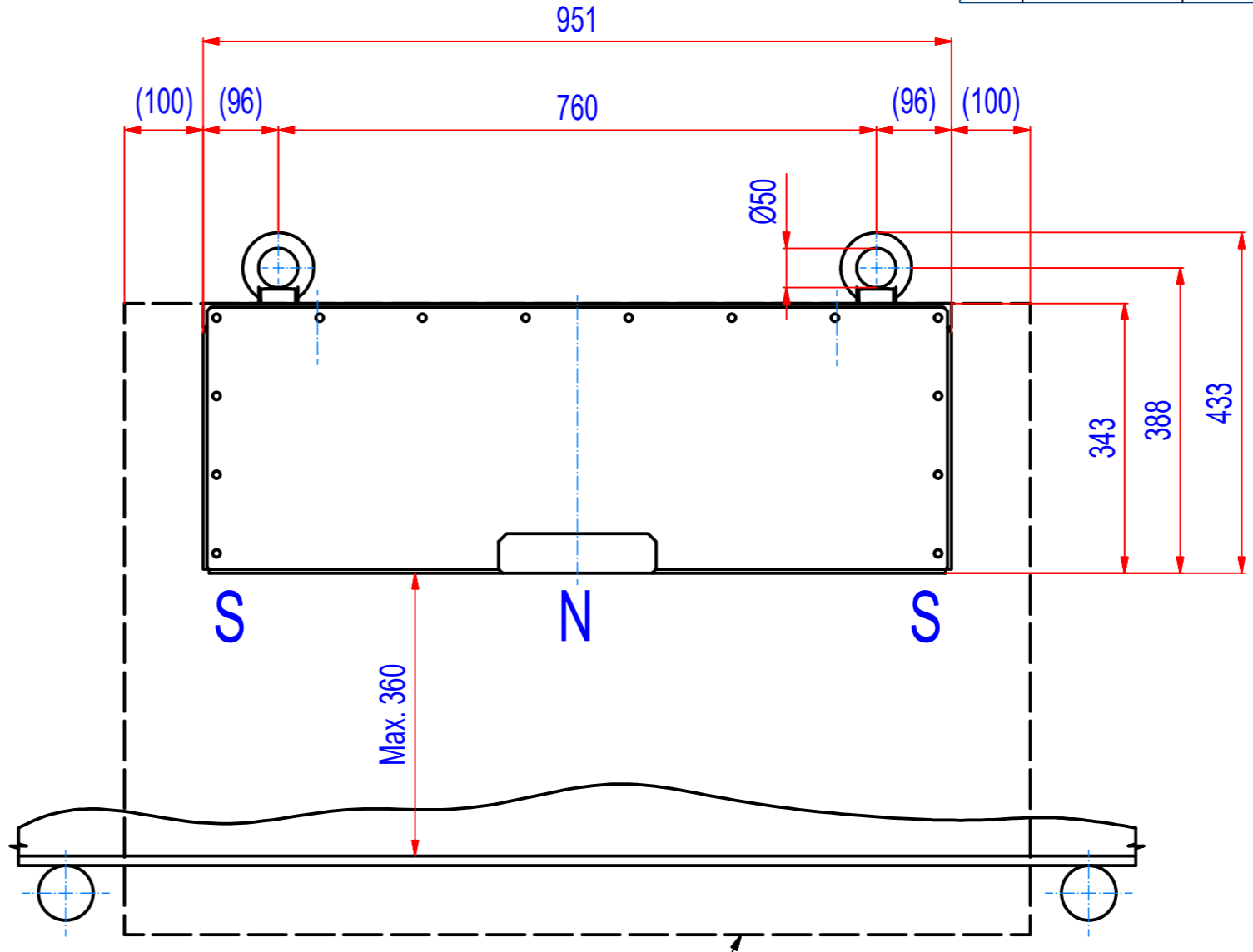
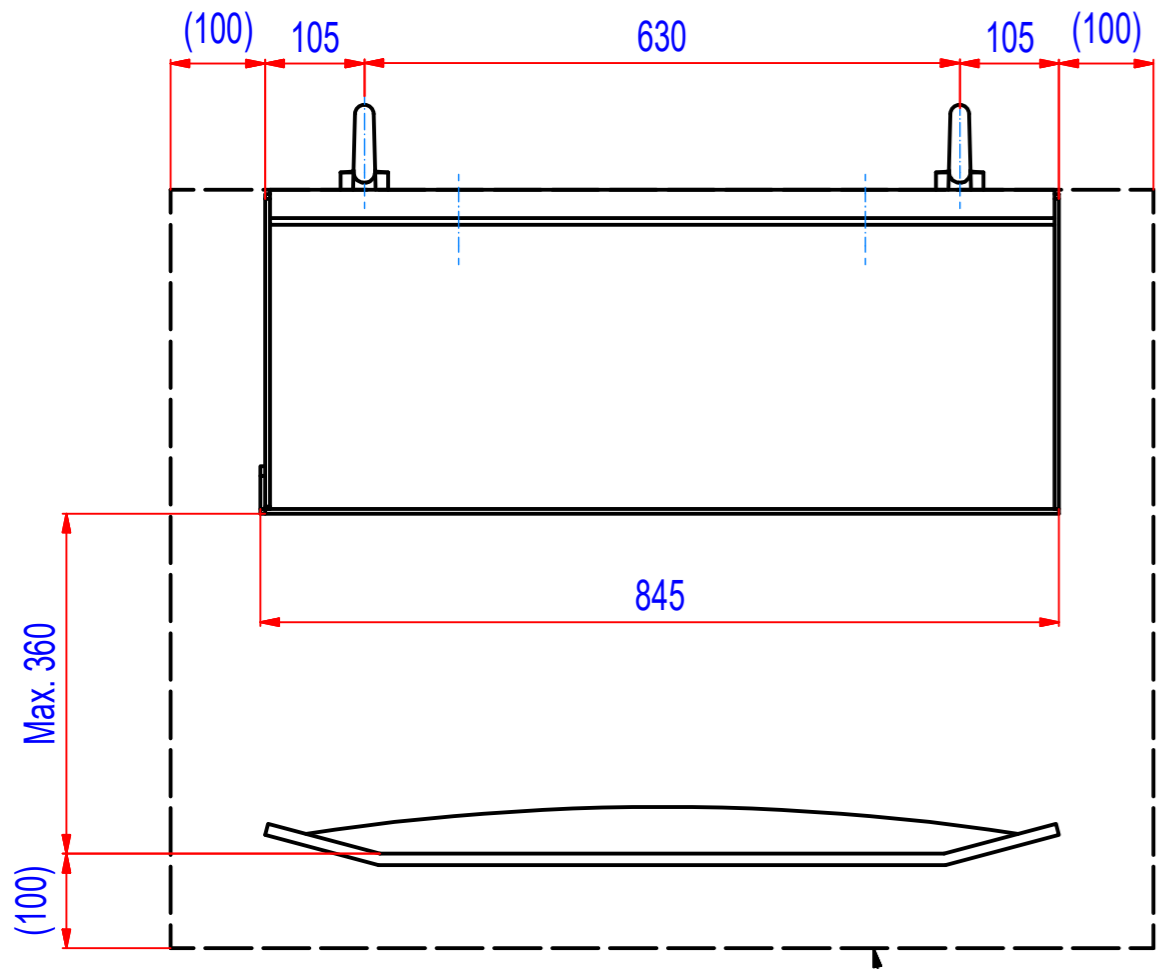
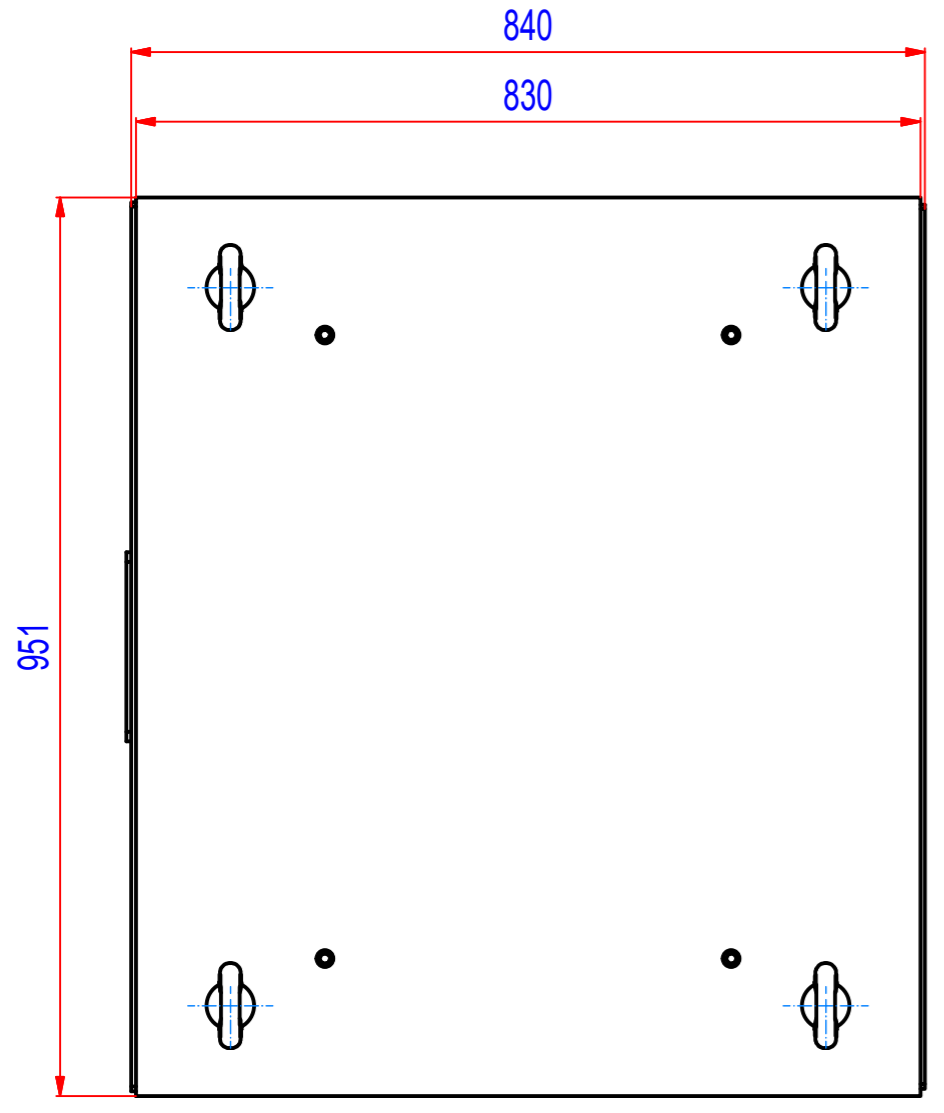


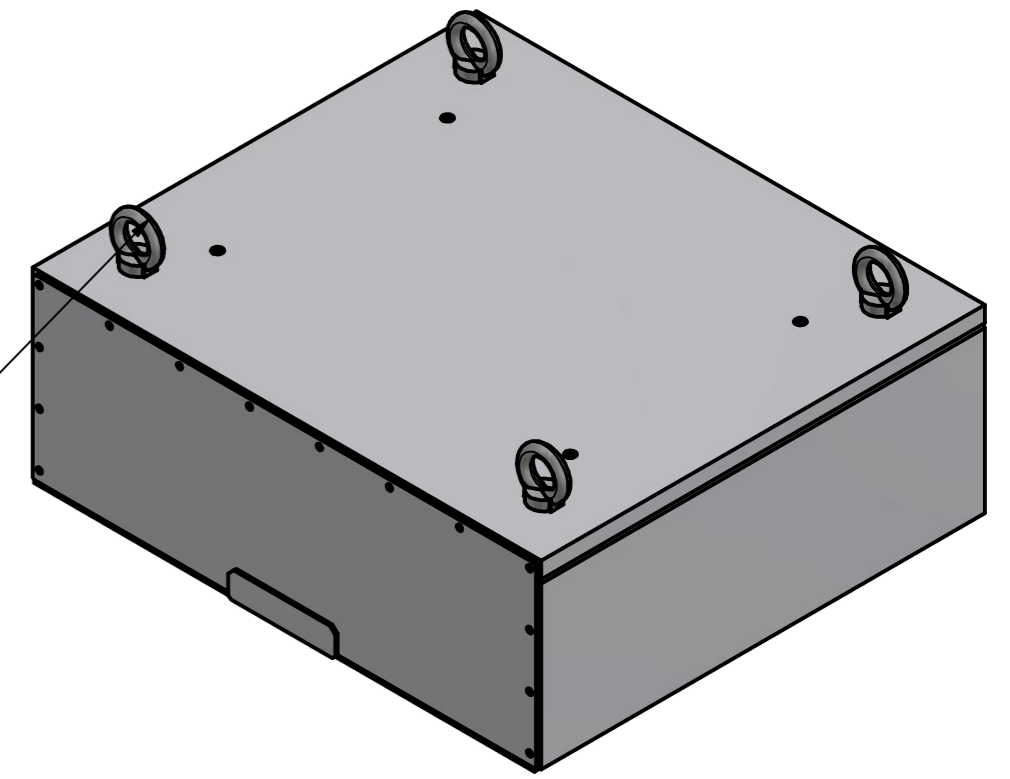
REV	BY	DATE	DESCRIPTION
-	EN	02.08.2017	New Vault, width 946->951
A	EN	26.9.2017	Hinge M24
A	VZ	05.08.2020	Instalation height sketch added



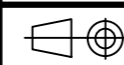

Area of strong effect of magnetic field with influence to Fe separation.  
Magnetic field has an effect also to surrounding structures (supports, frames) and devices.  
We recommend to consult with manufacturer.



4x eye bolt M24 DIN 580



Place warning pictograms near the magnet, see the manual.

1	924_000000	Blokový magnet, 951x343, L=840	1005
POZ./POS.	Č. SOUČÁSTI/ PART NUMBER	POPIS / DESCRIPTION	HMOT./ WEIGHT
<b>APPROVAL PLEASE</b>			
Date:	Order ref.:	Responsible person:	
 Sheet: A2 Drawn: EN Weight (kg): 1005 Date: 5.8.2020 Predecessor:	Extra info: SVMF080800 	General tolerance: ISO 2768 - cL Drawn according: ISO268; ISO1101; ISO2553 Status:	
Quick search:	<small>© All rights reserved. Reproduction is not permitted without written permission of GOUDSMIT Magnetic Systems BV</small>		Customer reference number:
Description: Block magnet, 951x343, L=840	Part number: SVMF080800		Product key: SVM-F-951x343-840-F-F0E Rev: -