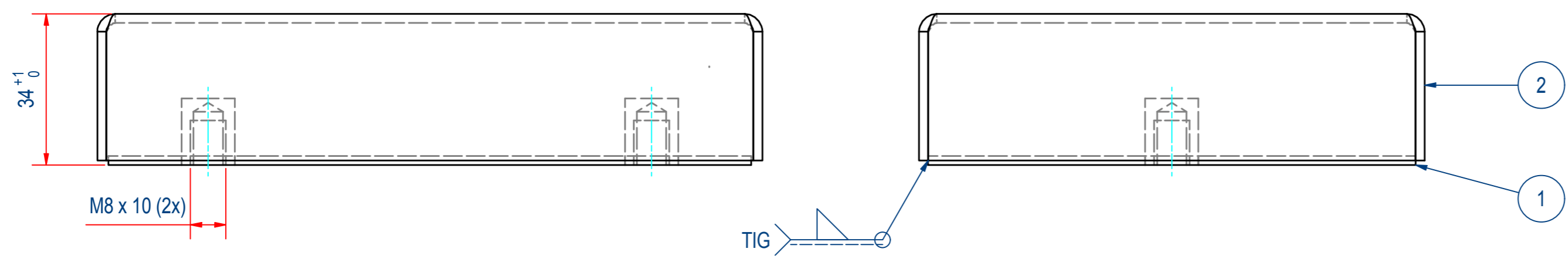
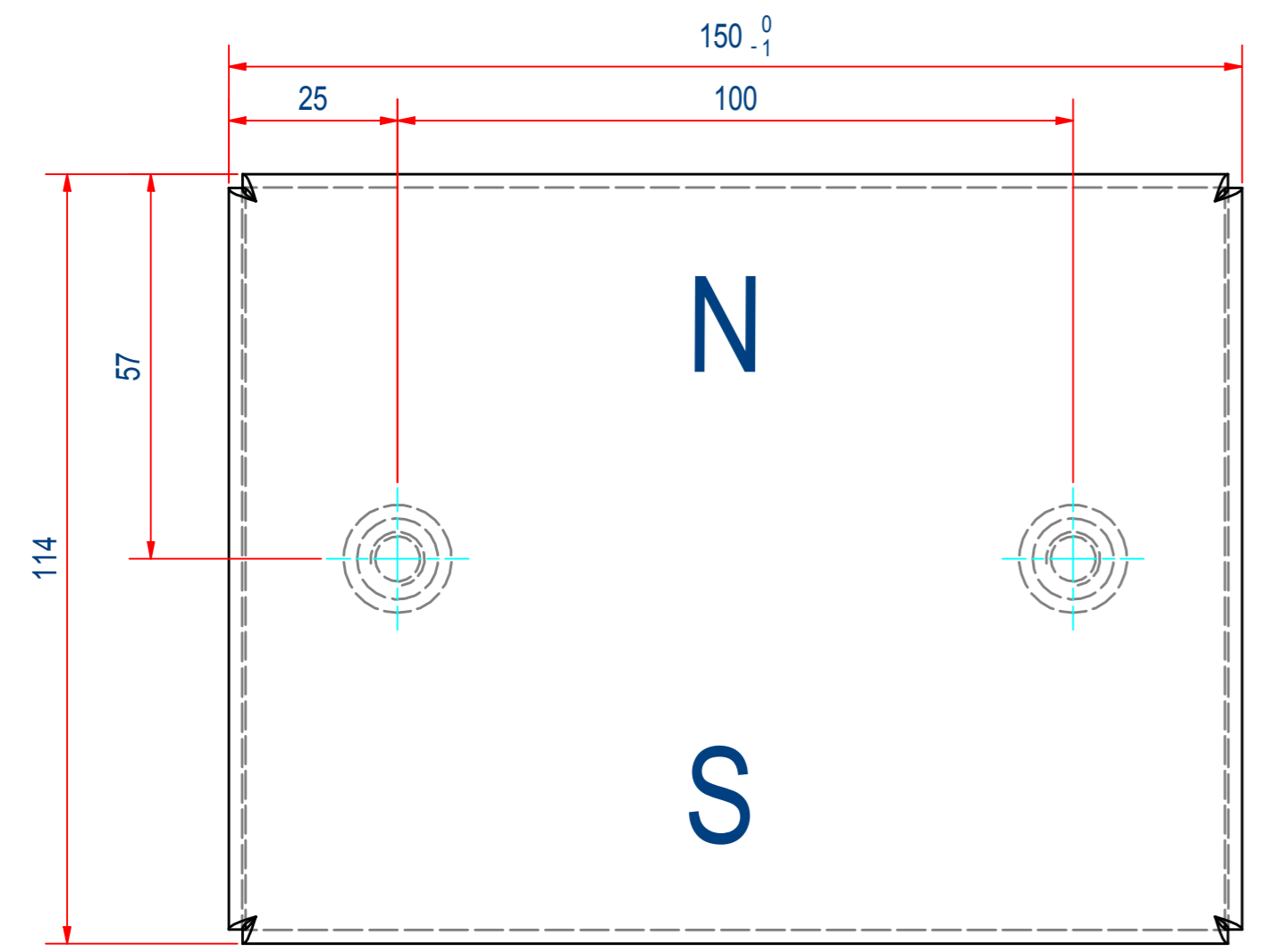
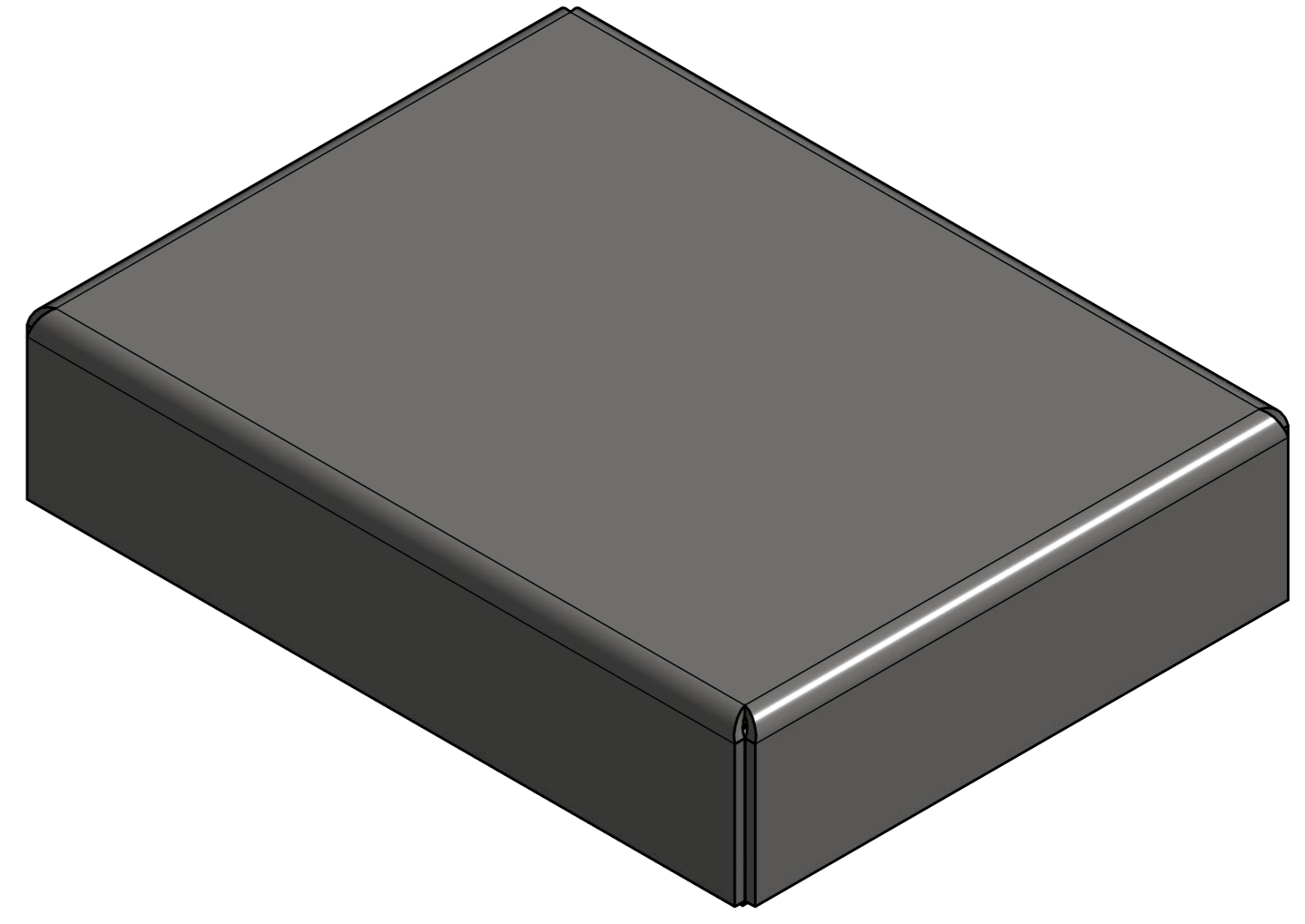


REV	DATE	BY	DESCRIPTION
-	5-2-2014	CR	REFERENCE DRAWING SVMN020150
A	25-8-2014	BS	TOLERANCE HEIGHT 34 CHANGED



ITEM	QTY	PART NUMBER	DESCRIPTION	Dimensions			
2	1	E0012353	COVER VMN06-150				
1	1	E0012400	ASSY PLATE MAGNET VMN06-150				
RAW MAT.	1						
Quantity		Material Number	Material Description	Length (mm) Width (mm)			
Sheet:	A2	Extra info:	General tolerance:	ISO 2768- mK			
Drawn:	RM	Weight (kg): 3,9	Drawn according:	ISO268; ISO1101; ISO2553			
Date:	24-5-2019		Status:	Standard			
Spare part:	False	Source:	Customer reference number:				
Quick search:	VMN06-150	 <small>© All rights reserved. Reproduction is not permitted without written permission of GOUDSMIT Magnetic Systems BV</small>		Document number:	E0116250	Doc.Rev:	A
Description:	SVM-N-114x34-0150-B-F1M			Part number:	SVMN060150	Rev:	-