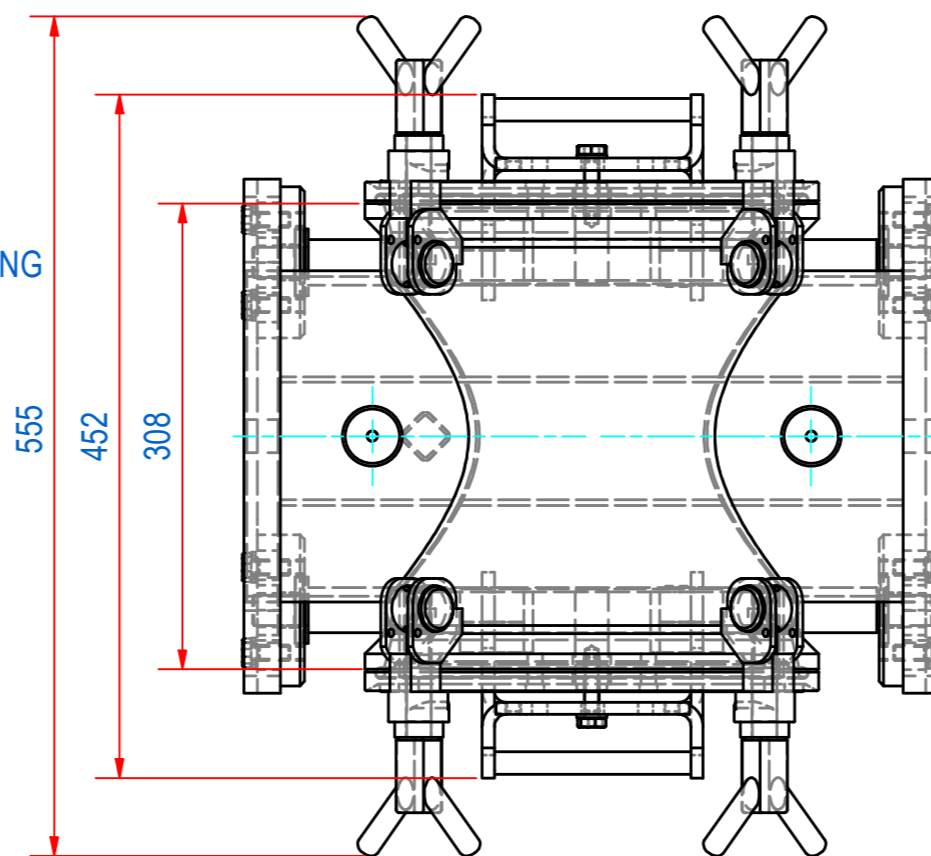
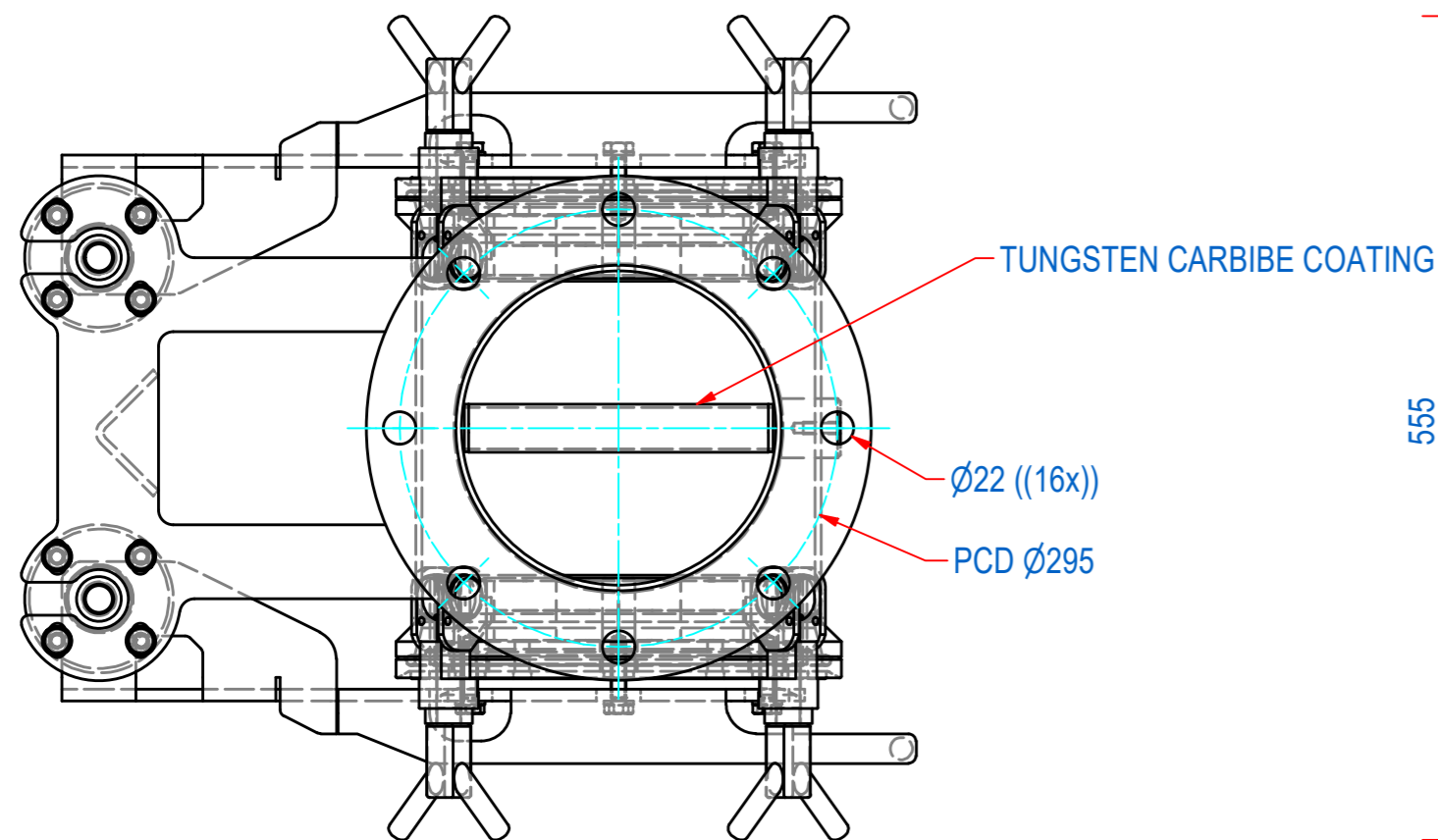
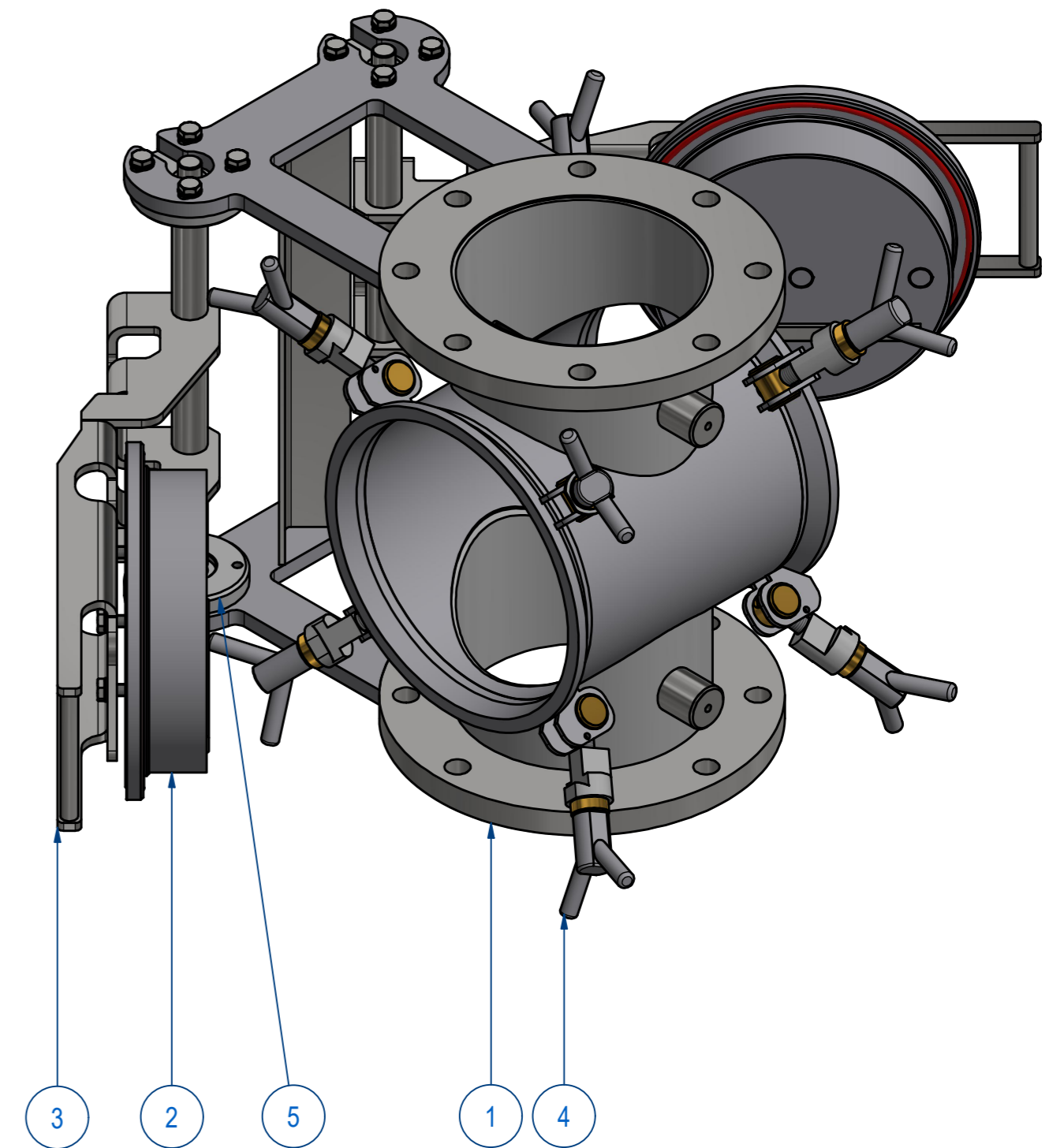
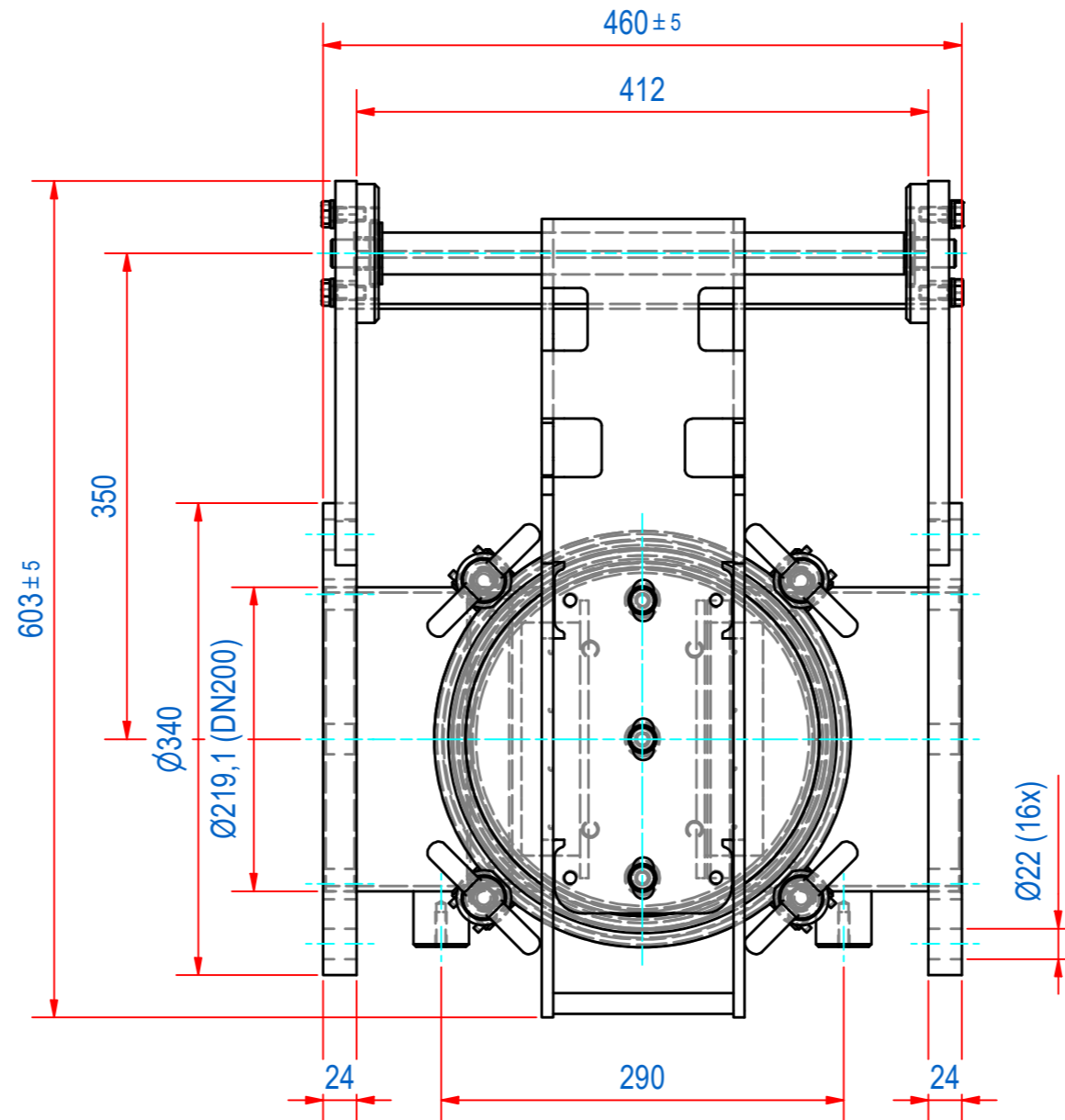
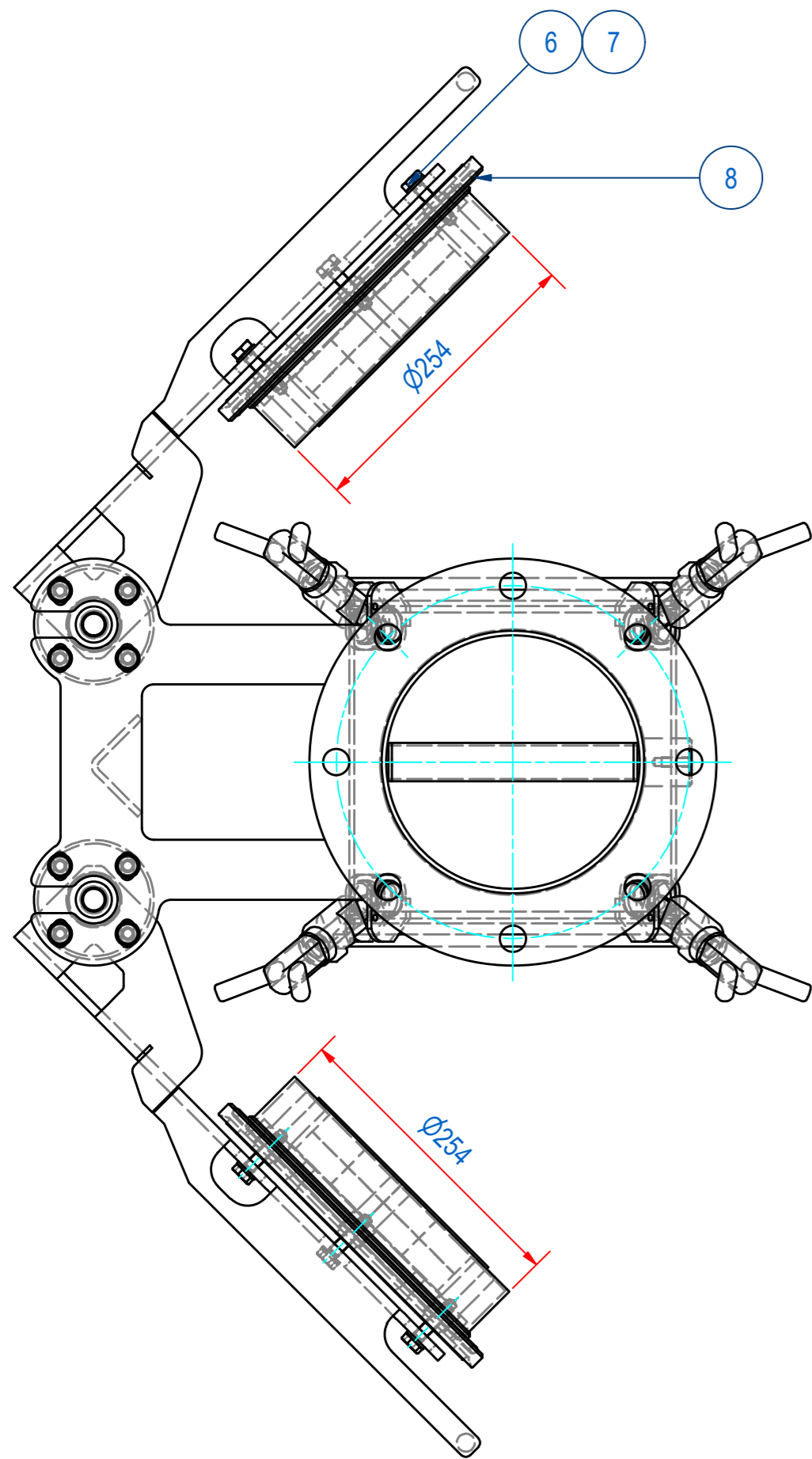


REV	DATE	BY	DESCRIPTION
-	29-6-2015	CR	NEW REVISION VAULT, OLD REV WAS C, O-RING CHANGED: SILICONE WAS NBR



ITEM	QTY	PART NUMBER	DESCRIPTION	Dimensions
8	2	78.1272700	O-RING Ø272.4xØ7 EC1935	
7	6	70.0200010	WASHER M10- A2	M10
6	6	50.1210040	BOLT, HEX M10x40 - A2	M10x40
5	2	M66613	GPFF-000 BEARINGS [SET] D20	
4	8	M58577	GPFF-000 QUICK CLAMP ASSY	
3	2	M58567	HINGE DN200 304L	
2	2	M58560	FILTERTOP DN200 NdFeB N35	
1	1	M58553	BODY DN200 HINGE WELDING	

RAW MAT.	Quantity	Material Number	Material Description	Length (mm)	Width (mm)
1	1				

Sheet: A2 Drawn: CR Date: 8-5-2013 Spare part: False Quick search: FSN200	Extra info: GOUDSMIT MAGNETICS <small>© All rights reserved. Reproduction is not permitted without written permission of GOUDSMIT Magnetic Systems BV</small>	General tolerance: ISO 2768 - mK Drawn according: ISO268; ISO1101; ISO2553 Status: Standard Customer reference number: Document number: SZFN000360 Doc.Rev: Part number: SZFN000360 Rev:
--	--	--

Description: **SFN-200-IF-020-N-F1m-S-B-B-B**