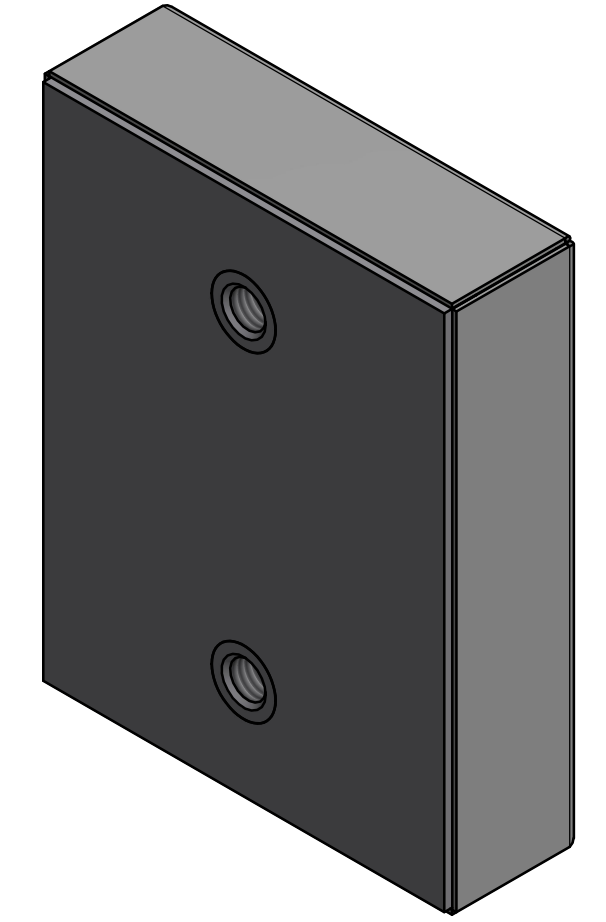
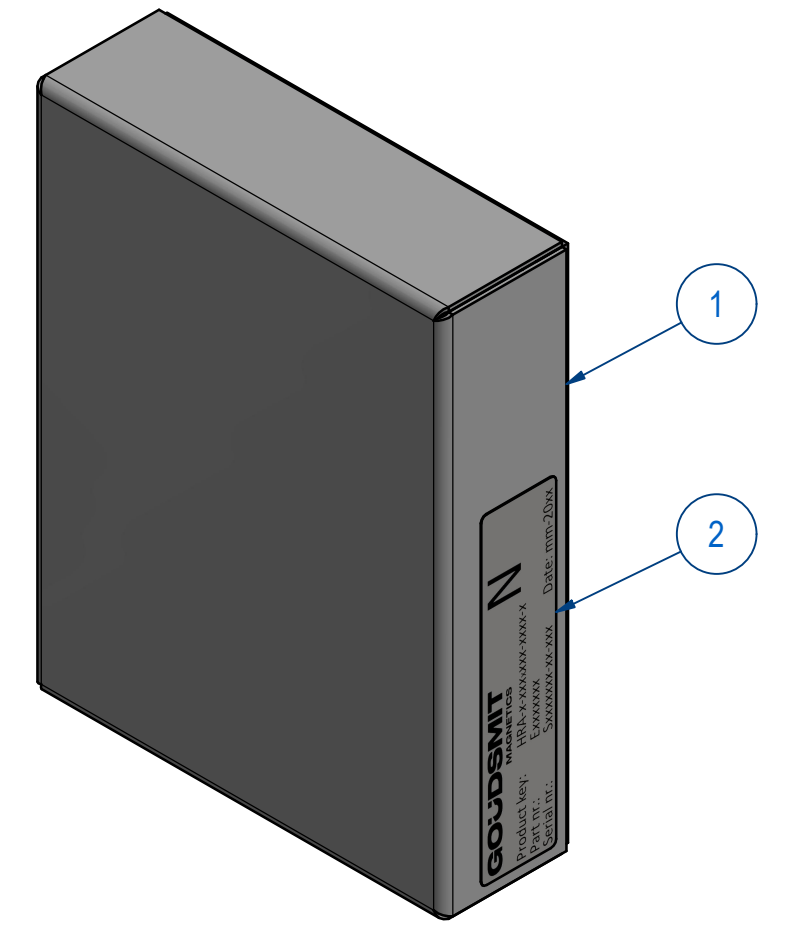
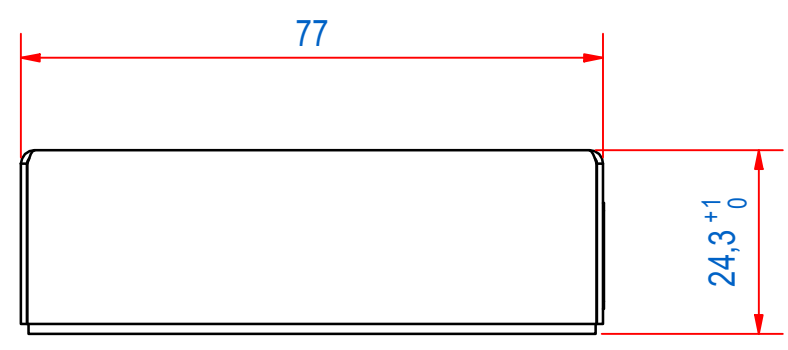
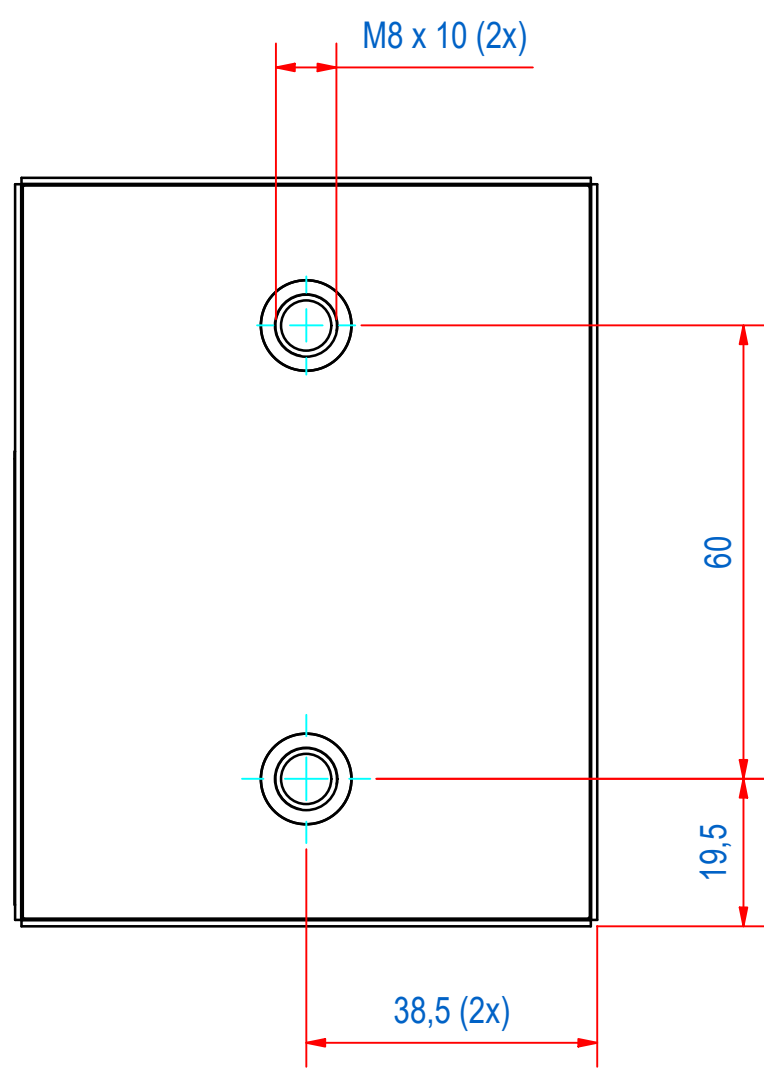
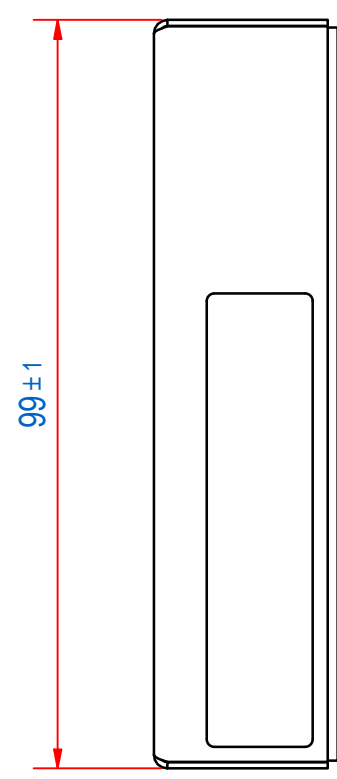
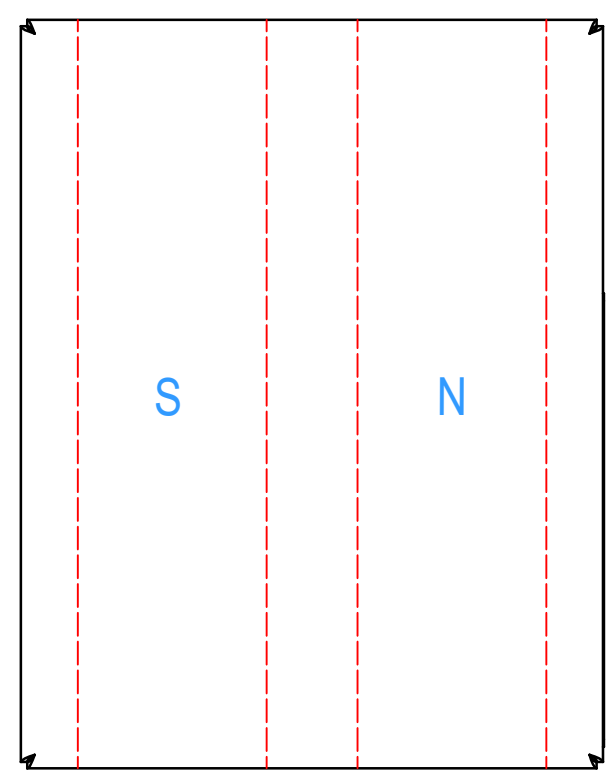


REV	DATE	BY	DESCRIPTION
A	8-6-2022	PB	WELD ASSY ADDED
B	4-1-2023	DK	TYPE PLATE STICKER ADDED
C	23-3-2023	DK	SOURCE CODE ADDED



ITEM	QTY	PART NUMBER	DESCRIPTION	Dimensions
2	1	E0156615	HRA-TYPE PLATE STICKER	
1	1	E0153124	HRA-WELD ASSY	
RAW MAT.	1			
Quantity		Material Number	Material Description	Length (mm) Width (mm)
Sheet:	A2	Extra info:	MAGNETIC RAIL	General tolerance: ISO 2768- mK
Drawn:	BS	Weight (kg):	0,85	Drawn according: ISO268; ISO1101; ISO2553
Date:	20-5-2014	Status:	Standard	Customer reference number:
Spare part:	False	Source:	MC-C	Document number: TBAA010002 Doc.Rev: C
Quick search:	TBAA02			Part number: TBAA010002 Rev: C
Description:	HRA-F-077x24-AA-0100-B-B			



© All rights reserved. Reproduction is not permitted without written permission of GOUDSMIT Magnetic Systems BV