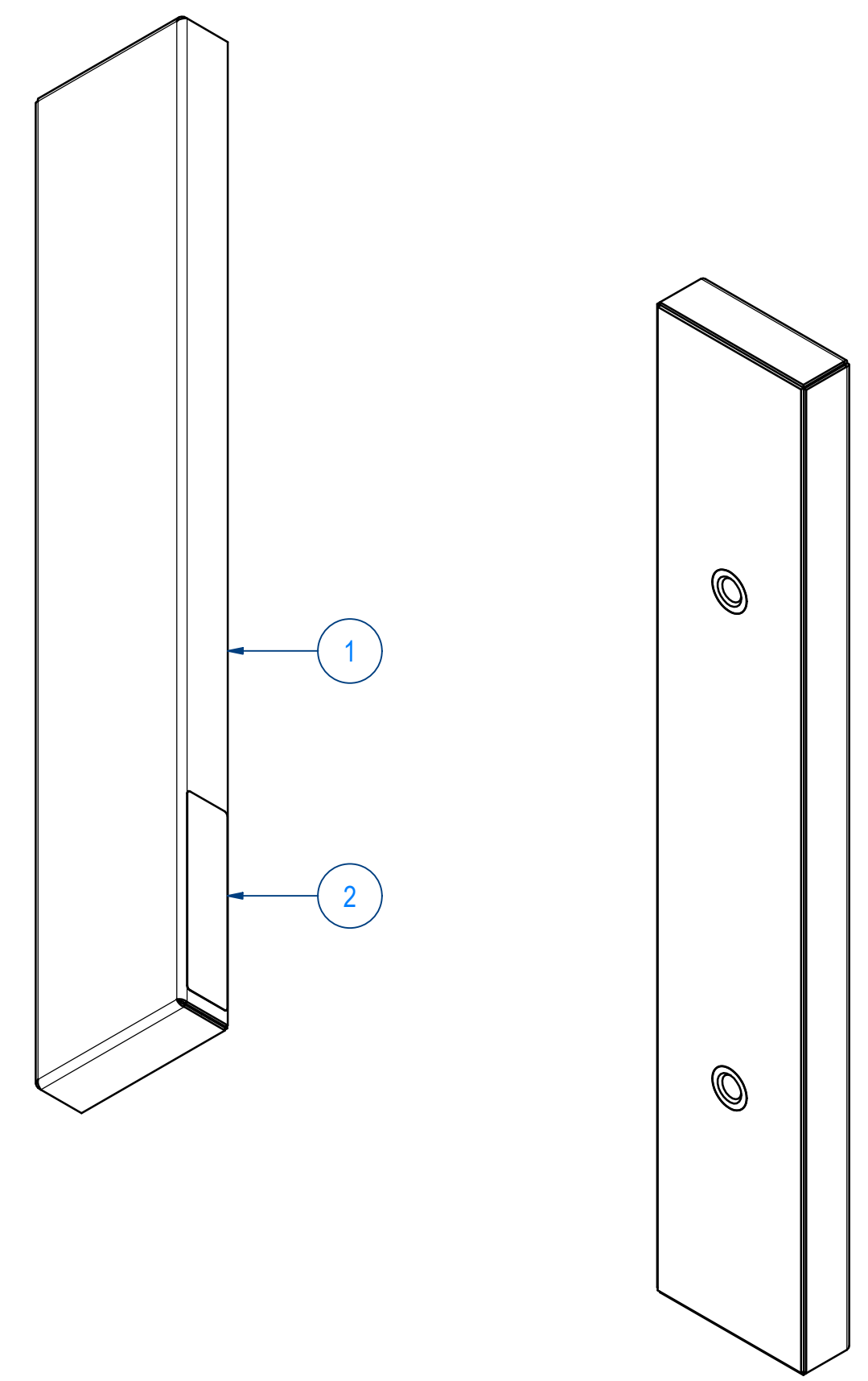
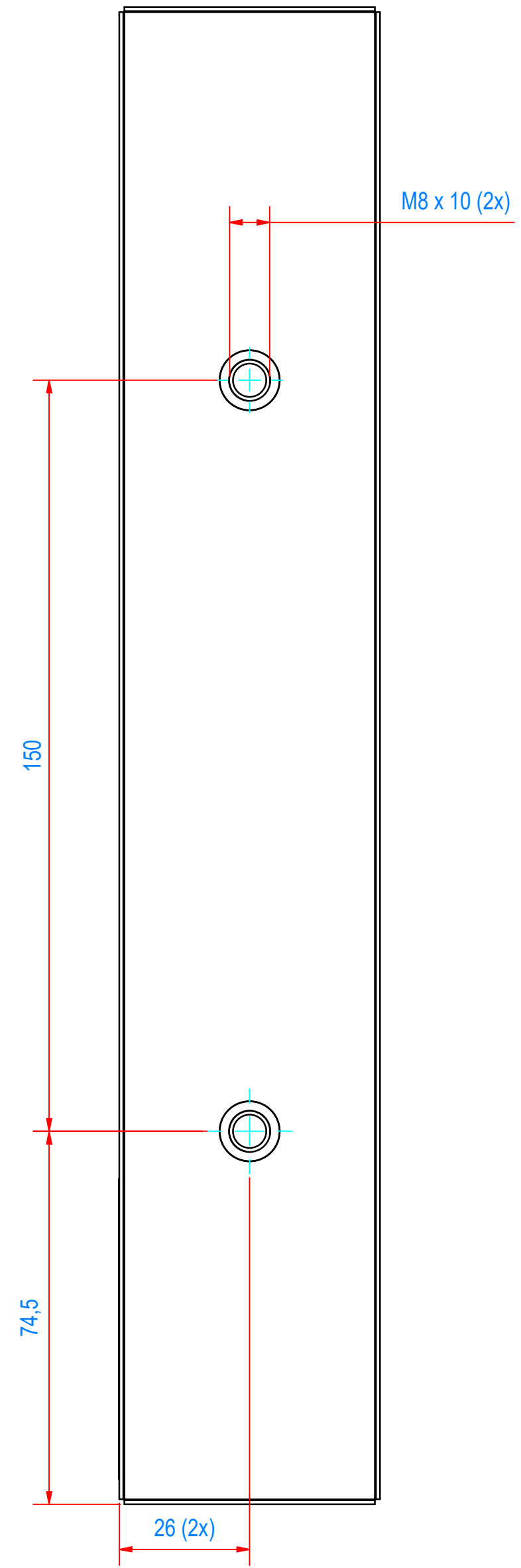
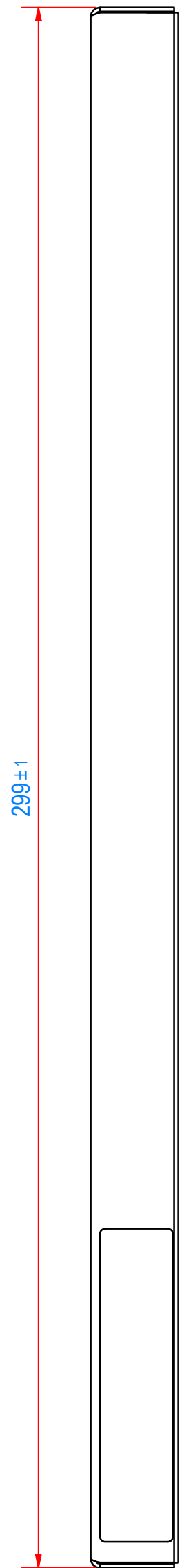
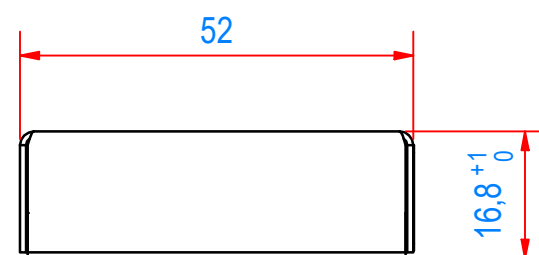
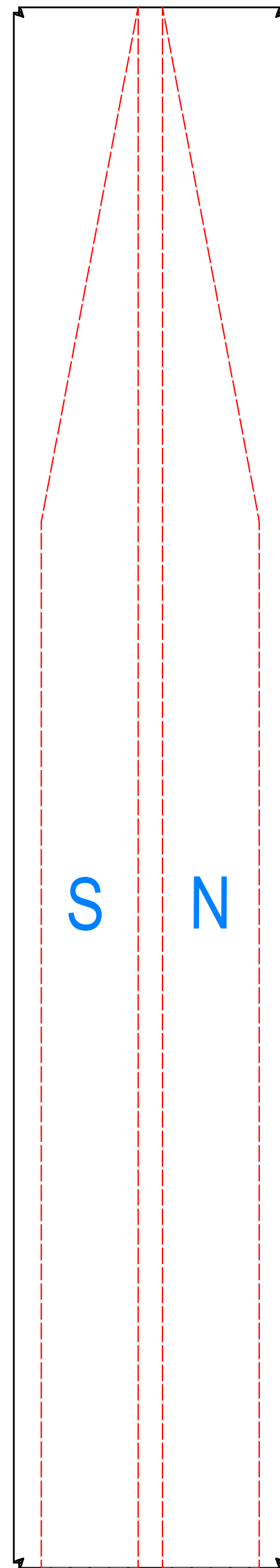


REV	DATE	BY	DESCRIPTION
-	24-7-2013	BS	NEW VAULT, NEW REVISION. ALL ITEMS WERE IN THIS DRAWING
A	4-1-2023	DK	STICKER AND SOURCE CODE ADDED, FILES DEMOTED



ITEM	QTY	PART NUMBER	DESCRIPTION	Dimensions
2	1	E0156615	HRA-TYPE PLATE STICKER	
1	1	E0157023	HRA-WELD ASSY	
RAW MAT.	1			
Quantity	Material Number	Material Description	Length (mm)	Width (mm)
Sheet: A2	Extra info: DECREASING FIELD	General tolerance: ISO 2768- mK		
Drawn: PB	Weight (kg): 1,3	Drawn according: ISO268; ISO1101; ISO2553		
Date: 24-7-2013	Source: MC-C	Status: Standard		
Spare part: False	Quick search: TBAB01	Customer reference number:		
Description: HRA-F-052x17-AB-0300-B-B		Document number: TBAB030001	Doc.Rev: A	
		Part number: TBAB030001	Rev: A	



© All rights reserved. Reproduction is not permitted without written permission of GOUDSMIT Magnetic Systems BV