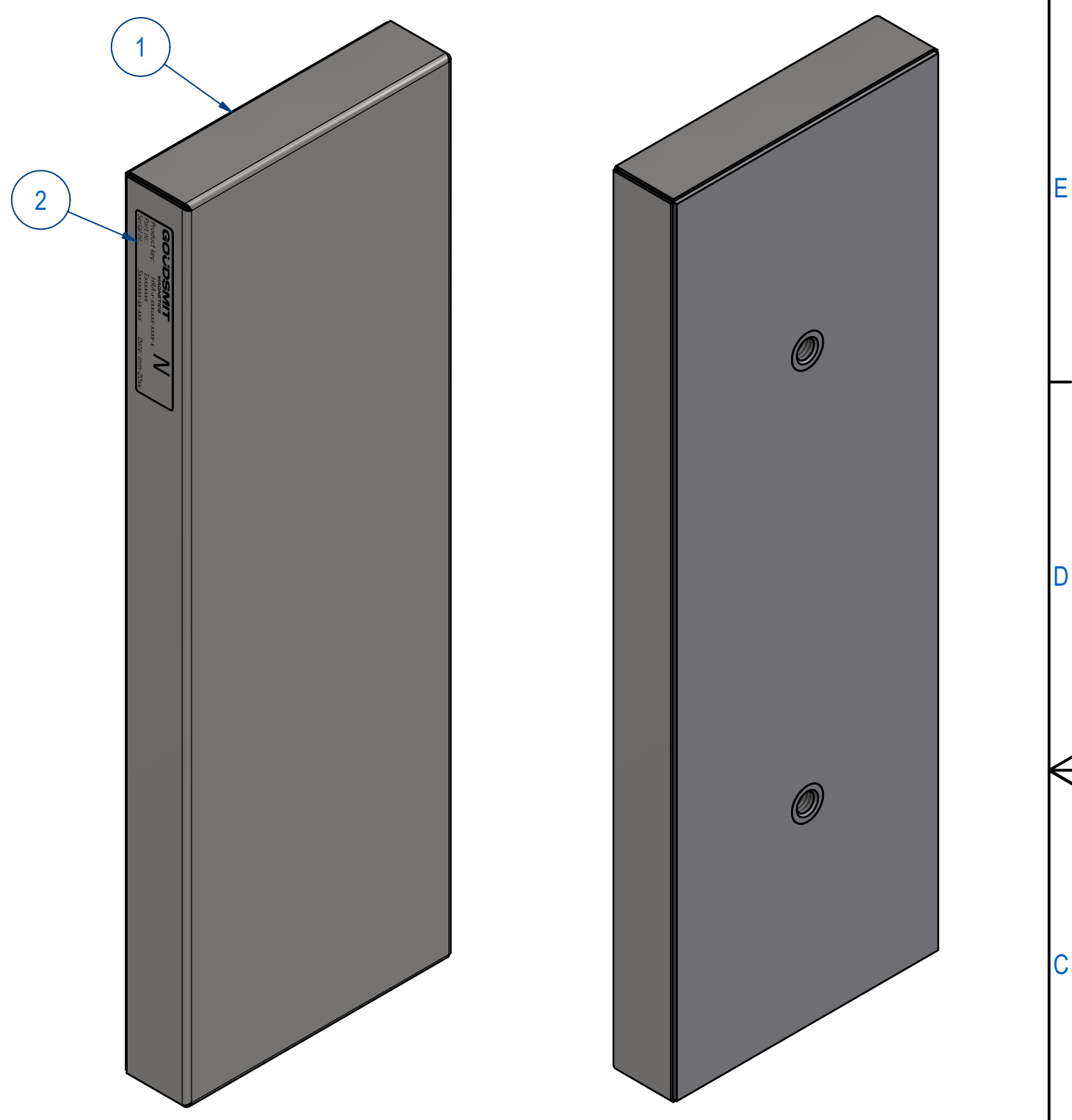
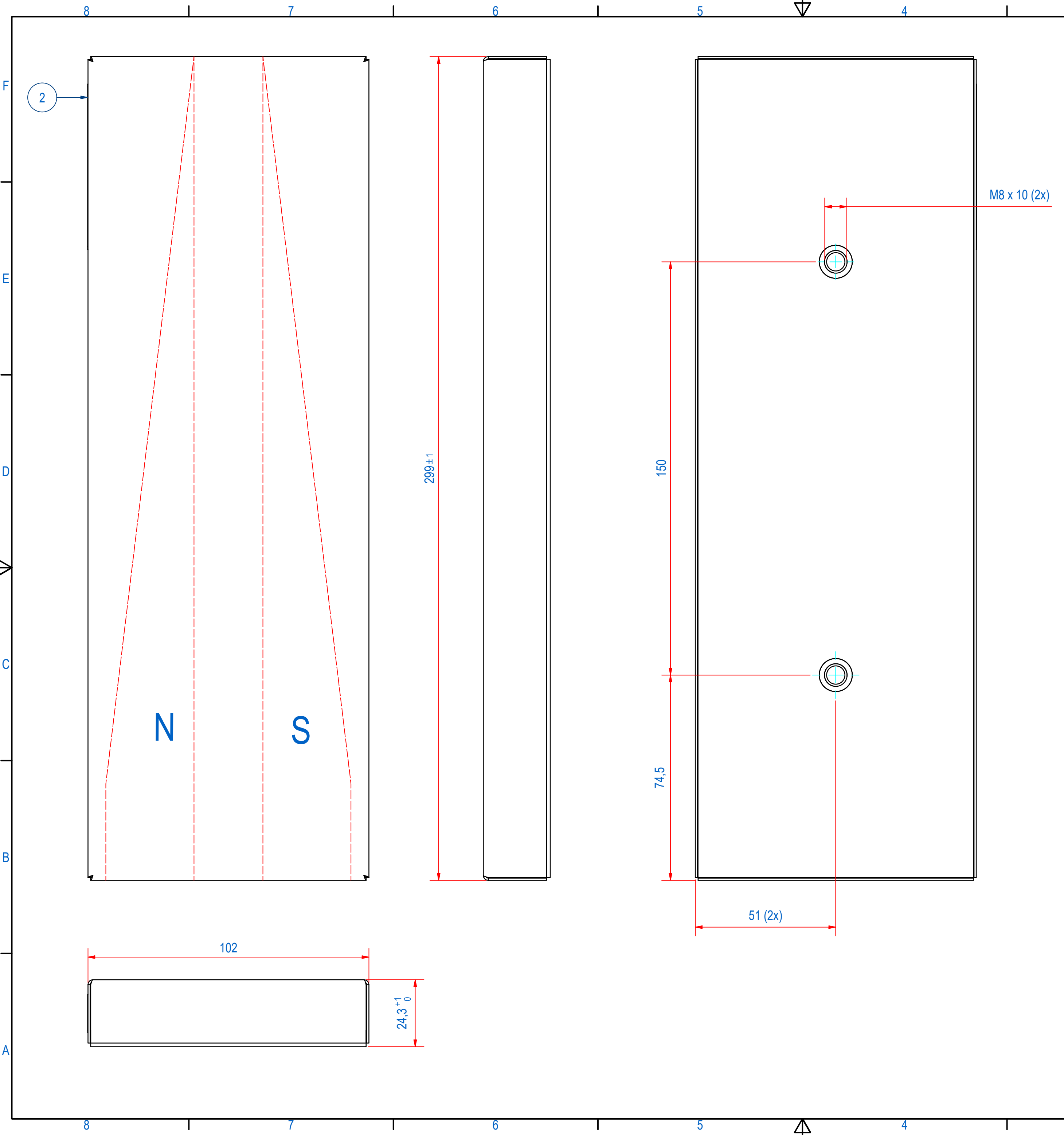


REV	DATE	BY	DESCRIPTION
-	15-11-2013	PB	NEW VAULT, NOTHING CHANGED, IS EQUAL TO OLD REVISION A
A	4-1-2023	DK	STICKER AND SOURCE CODE ADDED, FILES DEMOTED
B	1-2-2023	DK	VIEWS UPDATED



ITEM	QTY	PART NUMBER	DESCRIPTION	Dimensions
2	1	E0156615	HRA-TYPE PLATE STICKER	
1	1	E0156915	HRA-WELD ASSY	

RAW MAT.	Quantity	Material Number	Material Description	Length (mm)	Width (mm)
1	1				

Sheet: A2	Extra info: MAGNETIC RAIL INCREASING FIELD	General tolerance: ISO 2768 - mK
Drawn: PB	Weight (kg): 2,5	Drawn according: ISO268; ISO1101; ISO2553
Date: 15-11-2013	Source: MC-C	Status: Standard
Spare part: False	Quick search: TBAC03	Customer reference number:
Description: HRA-F-102x24-AC-0300-B-B		Document number: TBAC030003 Doc.Rev: B
		Part number: TBAC030003 Rev: B