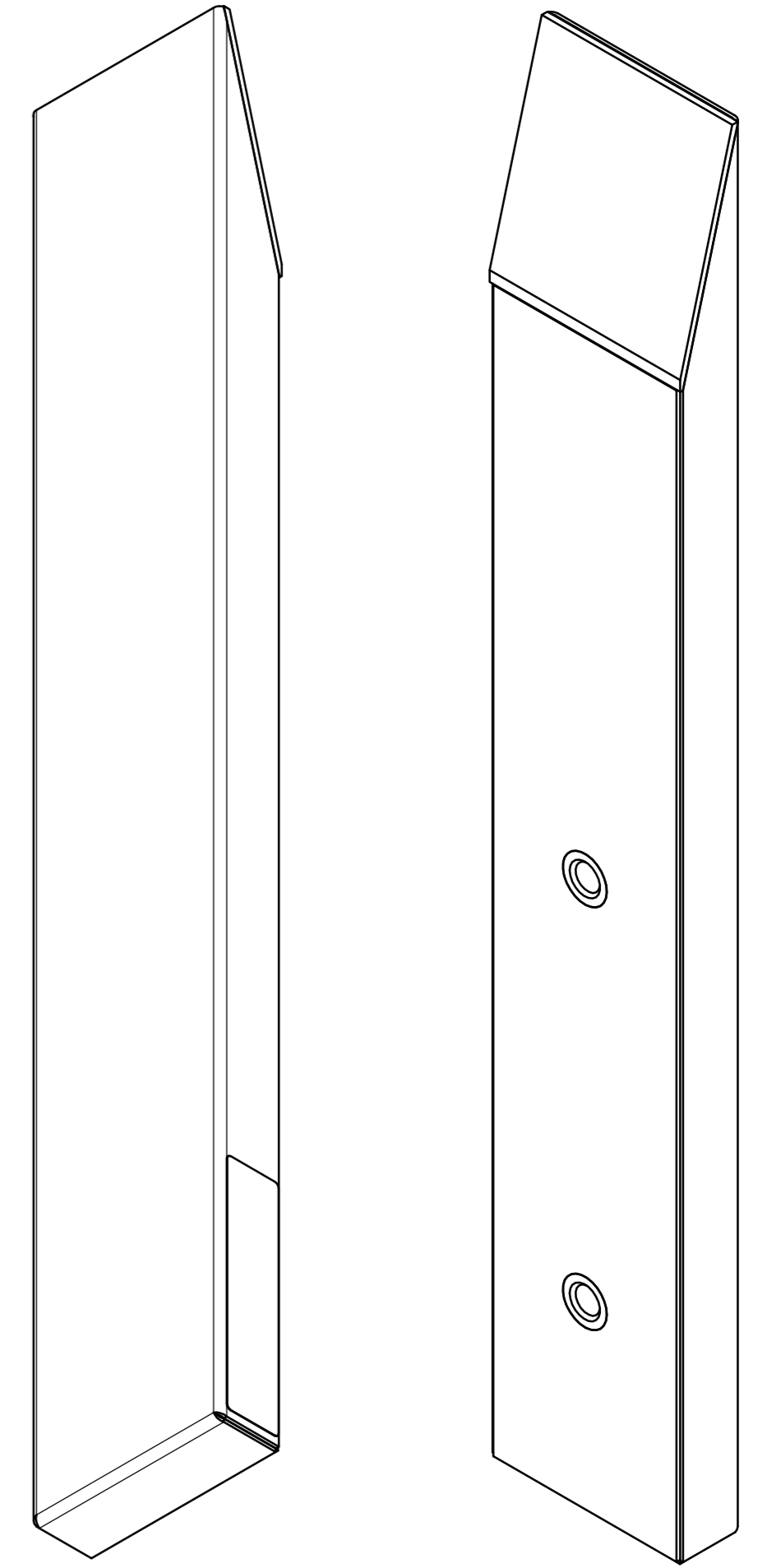
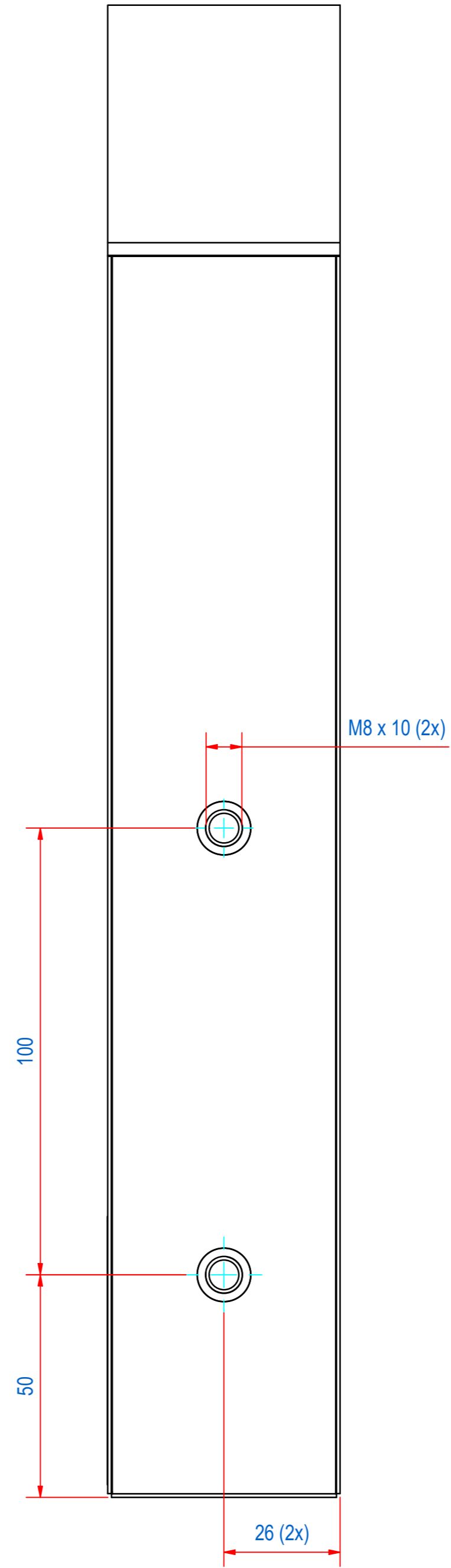
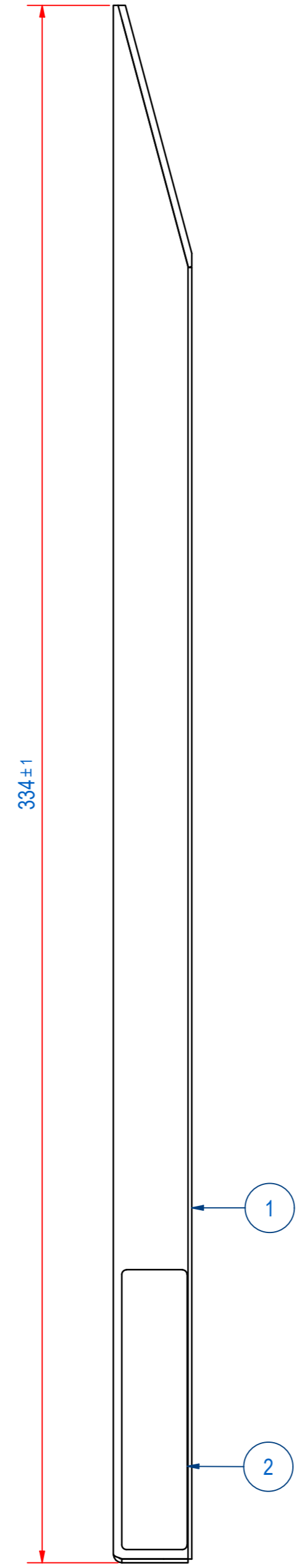
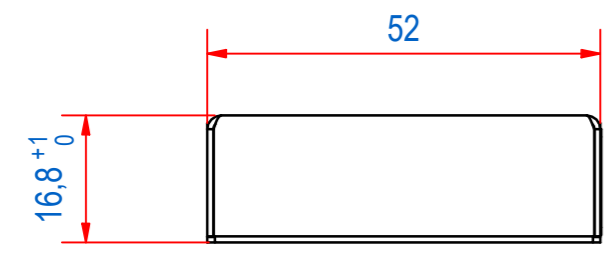
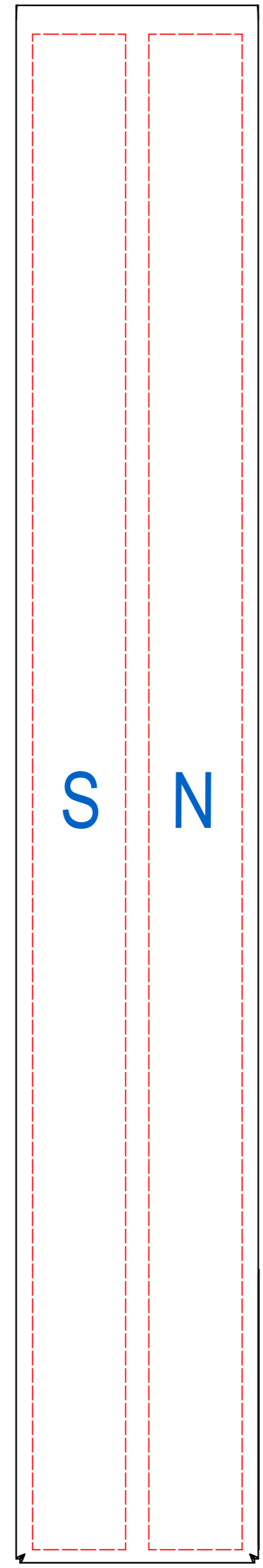


REV	DATE	BY	DESCRIPTION
-	4-7-2014	BS	NEW VAULT, NOTHING CHANGED, IS EQUAL TO OLD REVISION B
A	18-1-2023	DK	SOURCE CODE ADDED, STICKER ADDED TO BOM



ITEM	QTY	PART NUMBER	DESCRIPTION	Dimensions
2	1	E0156615	HRA-TYPE PLATE STICKER	
1	1	E0157253	HRA-WELD ASSY	
RAW MAT.	1			
Quantity		Material Number	Material Description	Length (mm) Width (mm)
Sheet:	A2	Extra info:	General tolerance:	ISO 2768- mK
Drawn:	BS	Weight (kg):	1,4	Drawn according:
Date:	4-7-2014	Source:	MC-C	ISO268; ISO1101; ISO2553
Spare part:	False	Quick search:	TBBA01	Status:
Description:			HRA-F-052x17-BA-0335-B-B	Standard
			Customer reference number:	
			Document number:	TBBA033501
			Doc.Rev:	A
			Part number:	TBBA033501
			Rev:	A



© All rights reserved. Reproduction is not permitted without written permission of GOUDSMIT Magnetic Systems BV