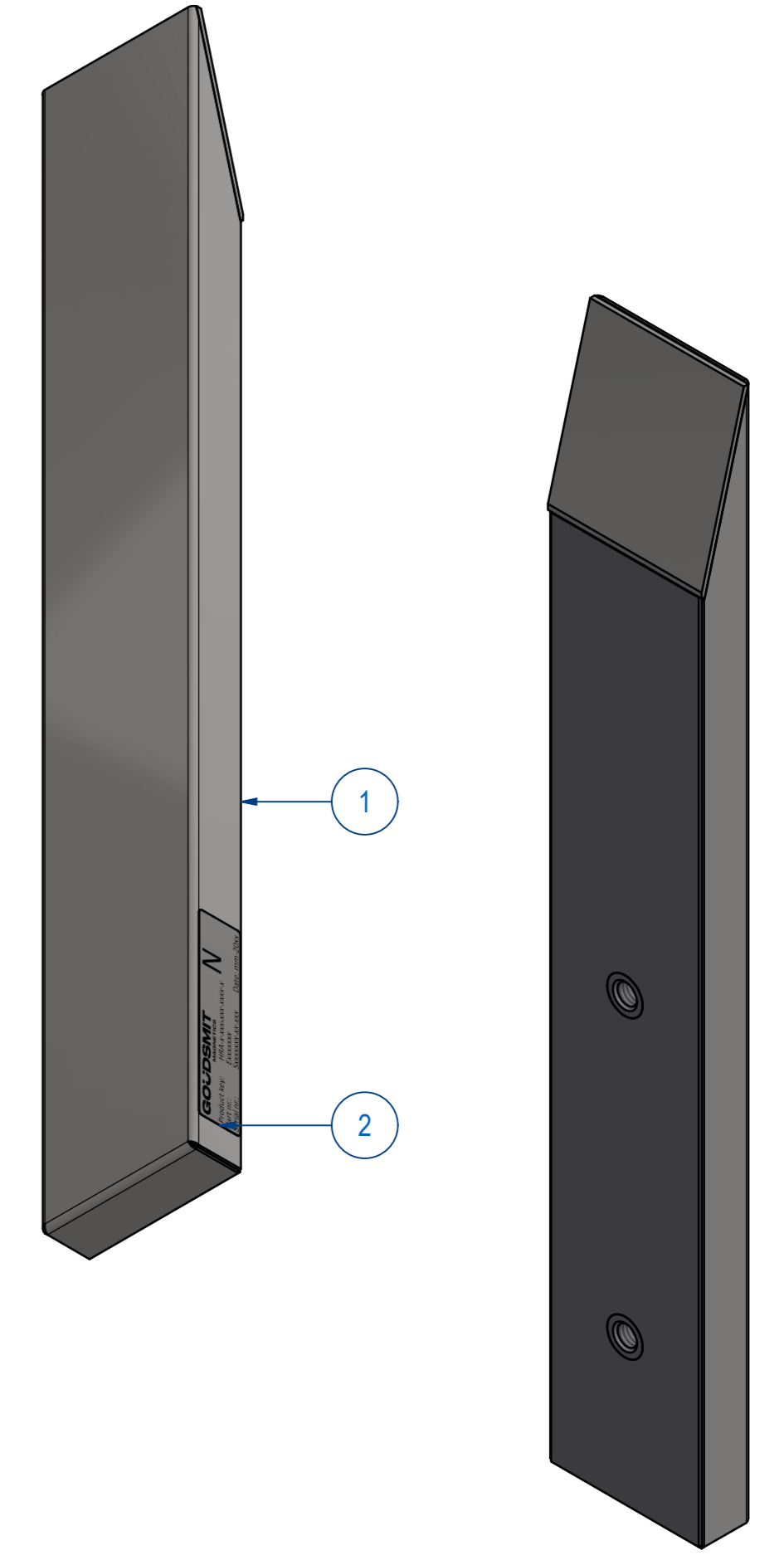
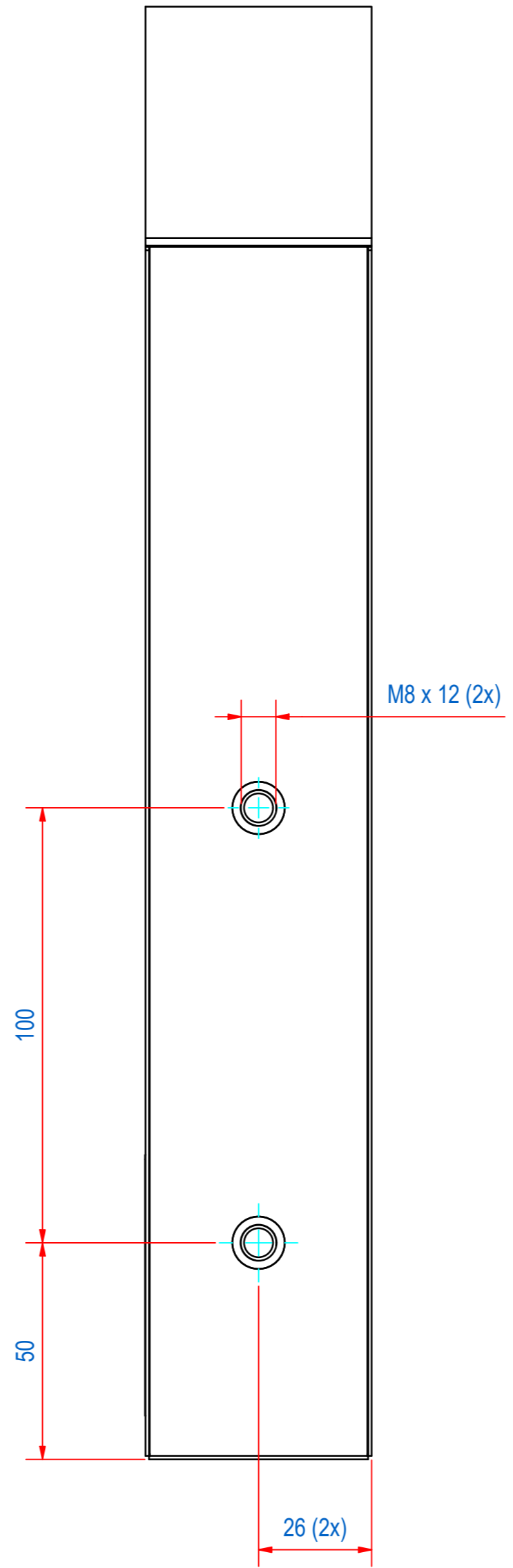
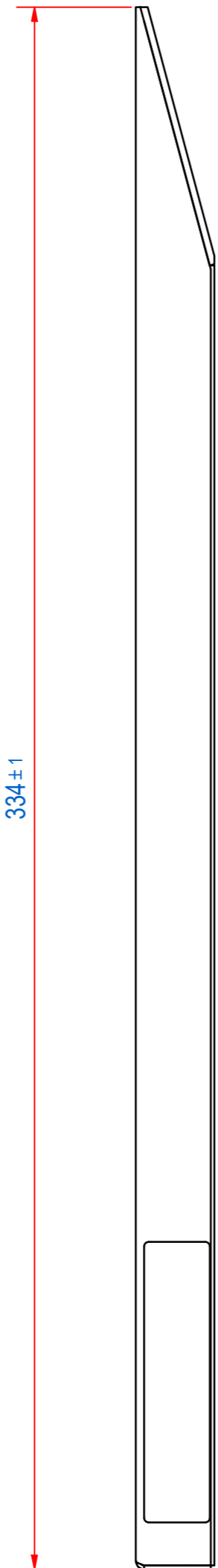
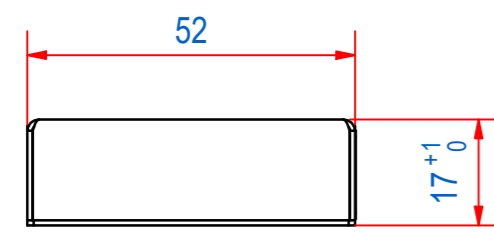
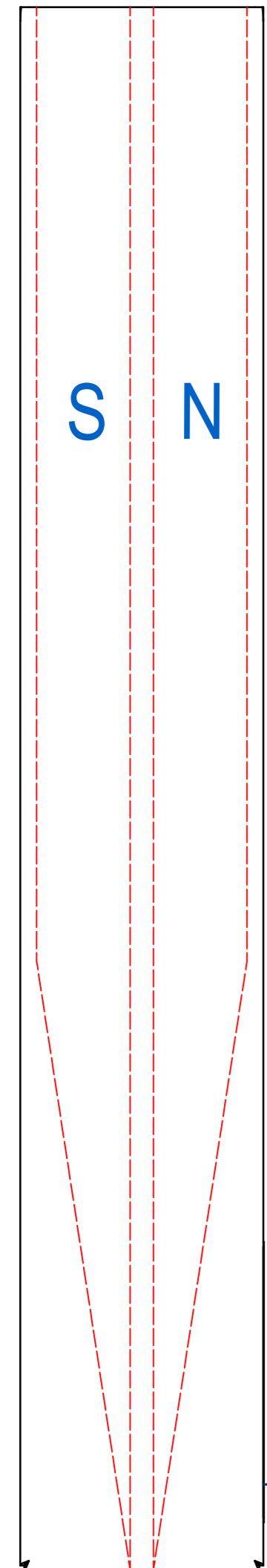


REV	DATE	BY	DESCRIPTION
-	26-5-2014	GS	NEW VAULT, NEW REVISION. NOTHING CHANGED. OLD REV WAS B
A	18-1-2023	DK	STICKER AND SOURCE CODE ADDED AND FILES DEMOTED
B	2-2-2023	DK	VIEWS UPDATED



ITEM	QTY	PART NUMBER	DESCRIPTION	Dimensions
2	1	E0156615	HRA-TYPE PLATE STICKER	
1	1	E0157374	HRA-WELD ASSY	
RAW MAT.	1			Length (mm) Width (mm)
Sheet: A2		Extra info: DECREASING FIELD		General tolerance: ISO 2768- mK
Drawn: GS		Weight (kg): 1,3		Drawn according: ISO268; ISO1101; ISO2553
Date: 26-5-2014		Status: Standard		
Spare part: False		Source: MC-C		Customer reference number:
Quick search: TBBC01				Document number: TBBC033501 Doc.Rev: B
Description: HRA-F-052x17-BC-0335-B-B		<small>© All rights reserved. Reproduction is not permitted without written permission of GOUDSMIT Magnetic Systems BV</small>		Part number: TBBC033501 Rev: B