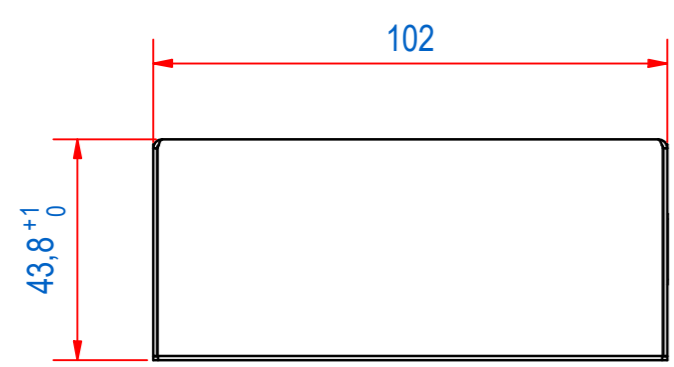
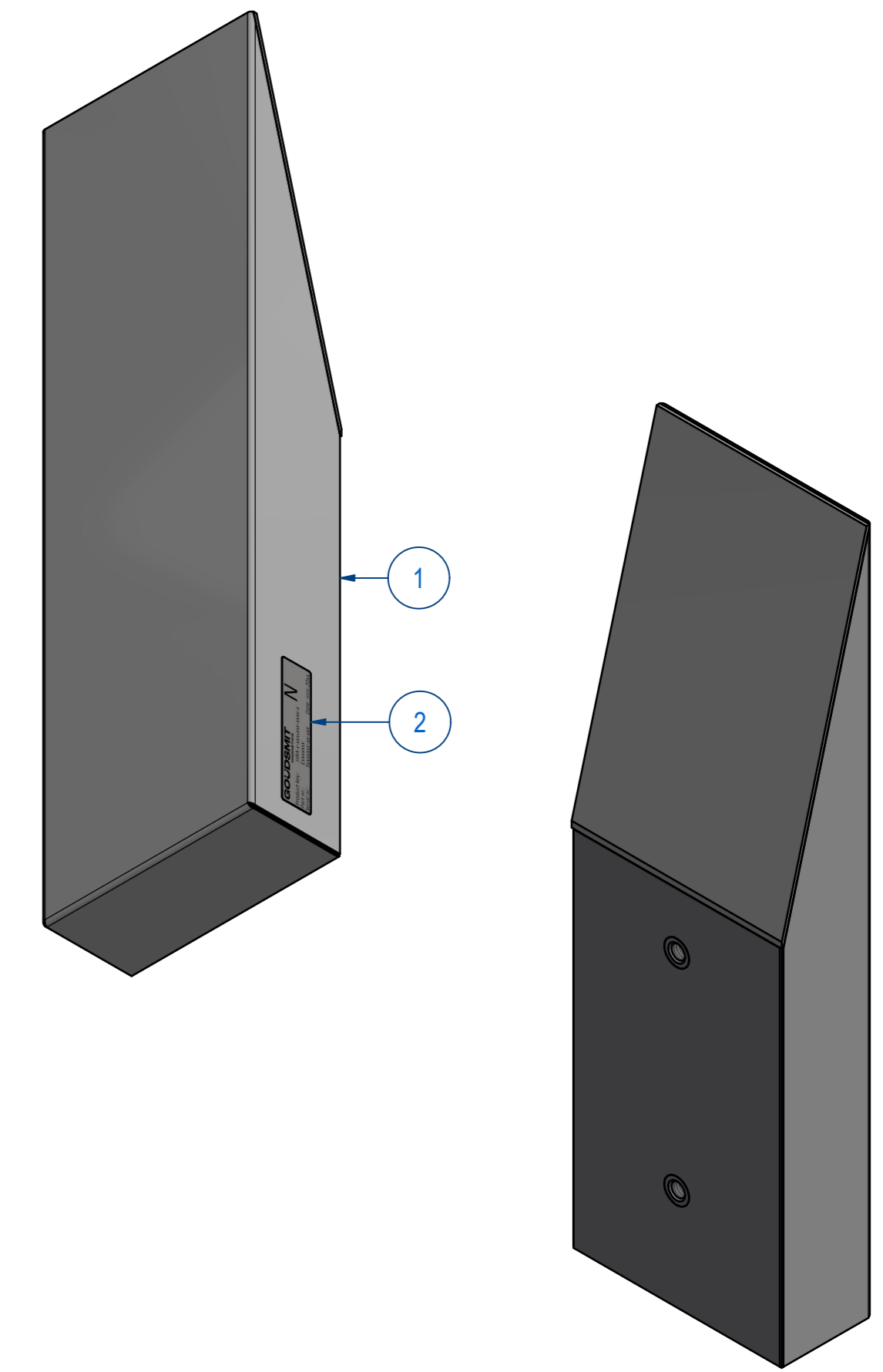
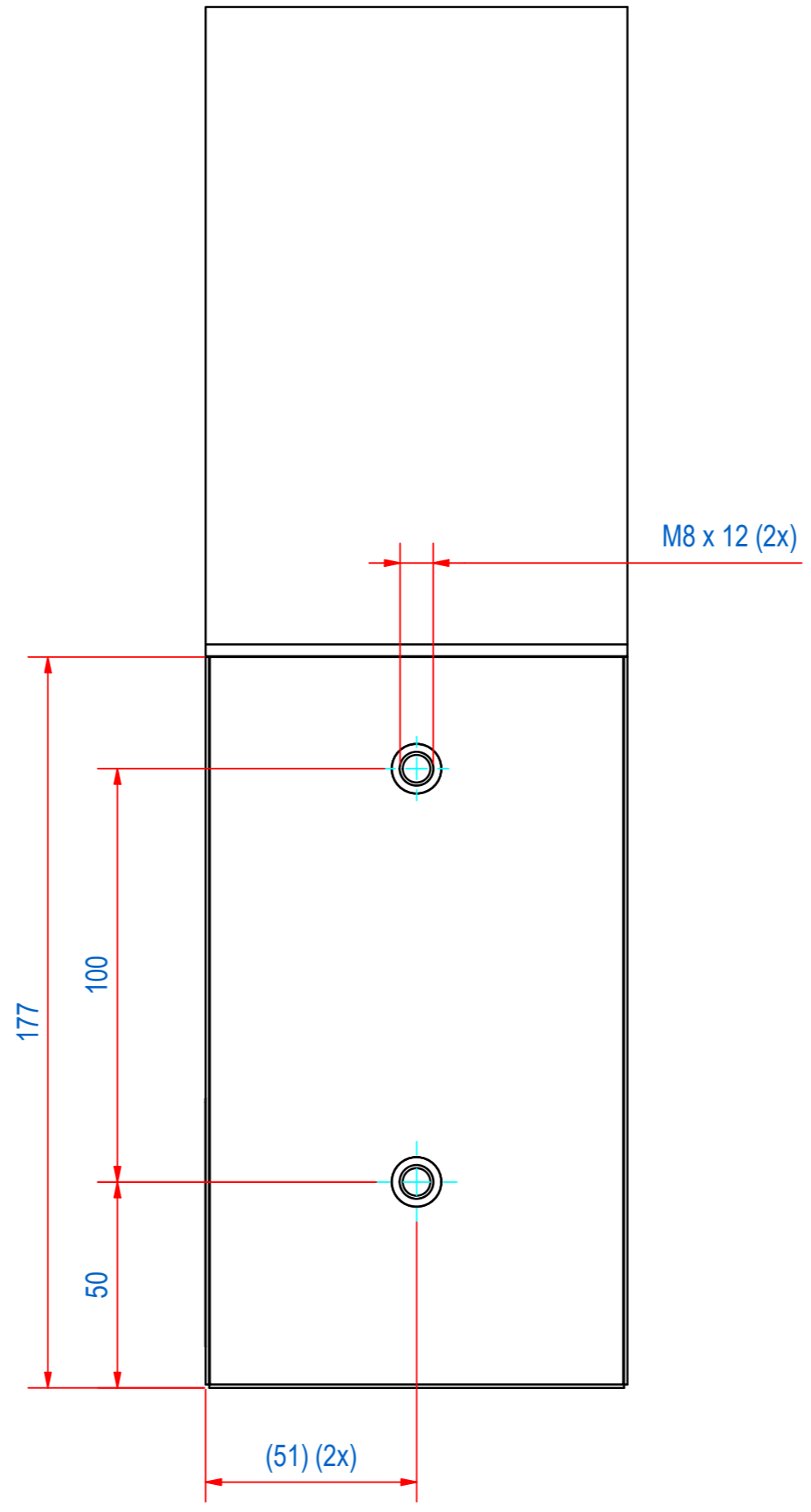
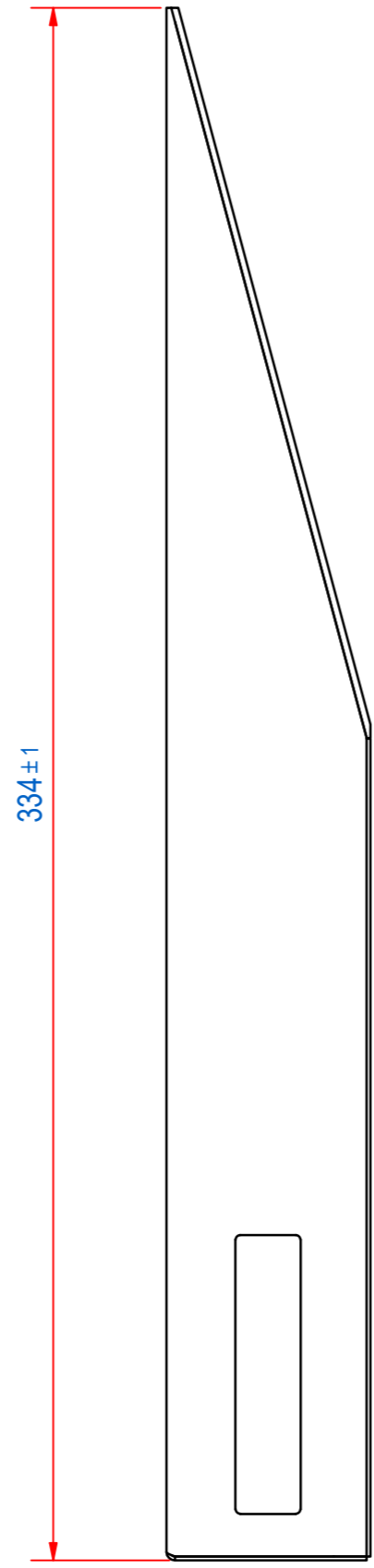
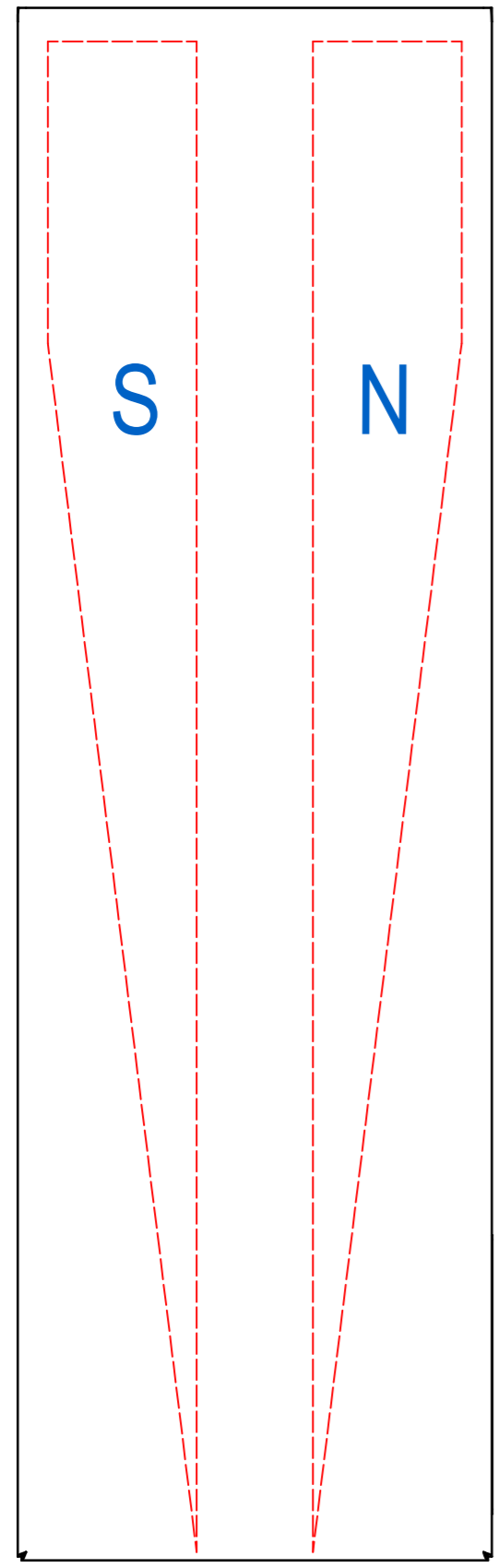



REV	DATE	BY	DESCRIPTION
-	8-7-2014	BS	ORIGINAL DRAWING
A	18-1-2023	DK	FOIL REMOVED, PU PROMOTED AND LOCTITE 480 ADDED
B	2-2-2023	DK	VIEWS UPDATED



ITEM	QTY	PART NUMBER	DESCRIPTION	Dimensions
2	1	E0156615	HRA-TYPE PLATE STICKER	
1	1	E0157366	HRA-WELD ASSY	
RAW MAT.	Quantity	Material Number	Material Description	Length (mm) Width (mm)
	1			
Sheet: A2		Extra info:		General tolerance: ISO 2768- mK
Drawn: BS		Weight (kg): 3,1		Drawn according: ISO268; ISO1101; ISO2553
Date: 8-7-2014				Status: Standard
Spare part: False		Source: MC-C		Customer reference number:
Quick search: TBBC04				Document number: TBBC033504 Doc.Rev: B
Description: HRA-F-102x44-BC-0335-B-B				Part number: TBBC033504 Rev: B