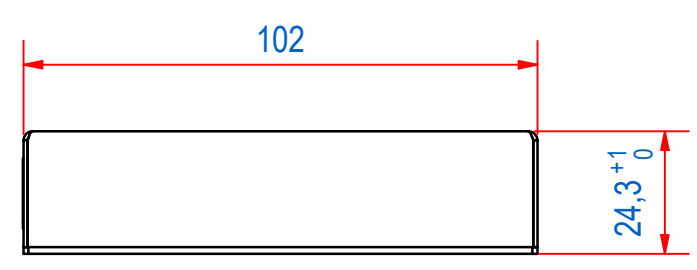
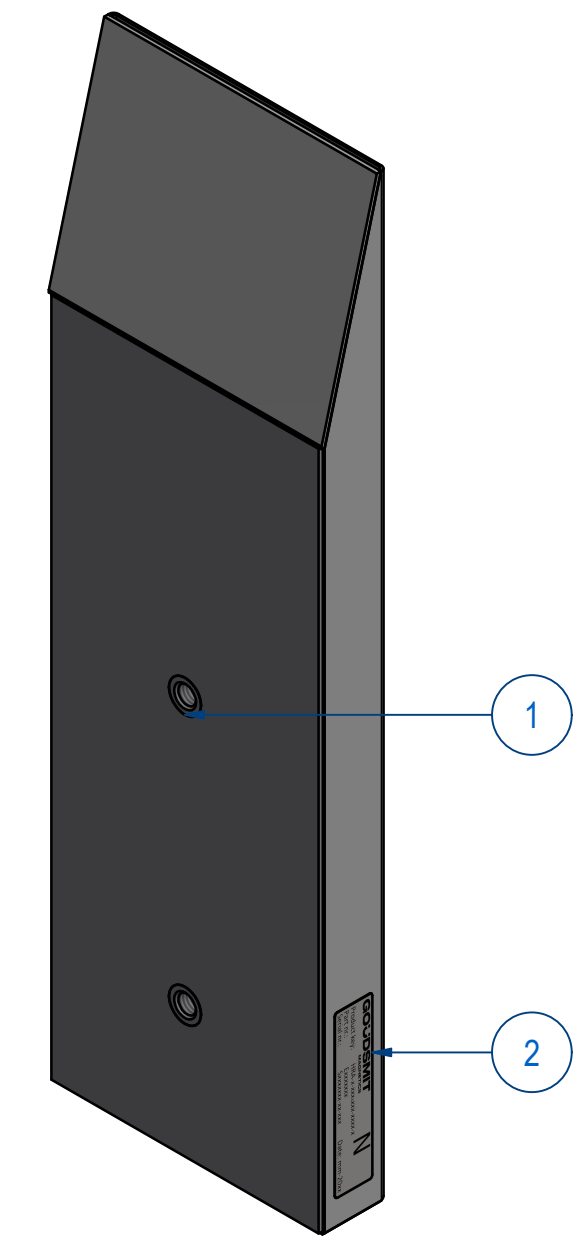
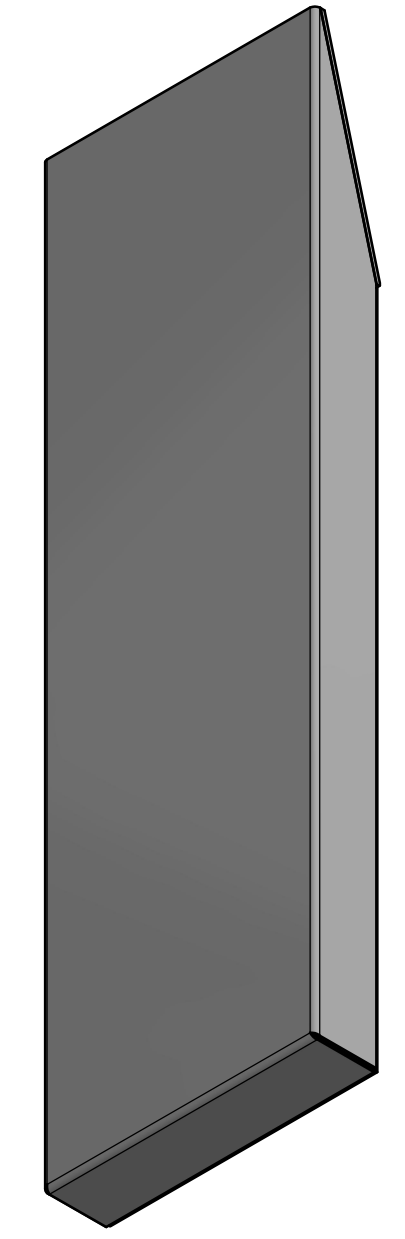
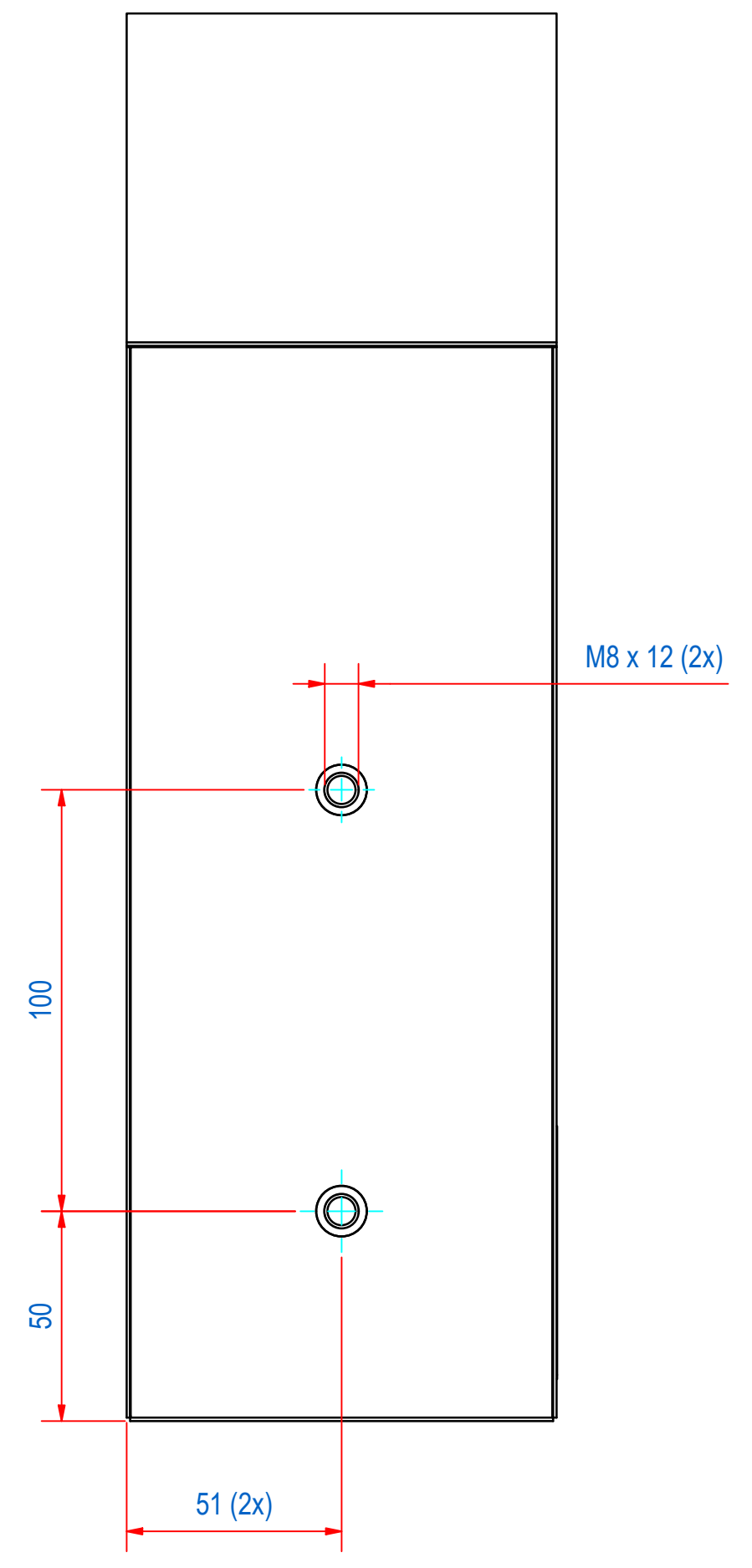
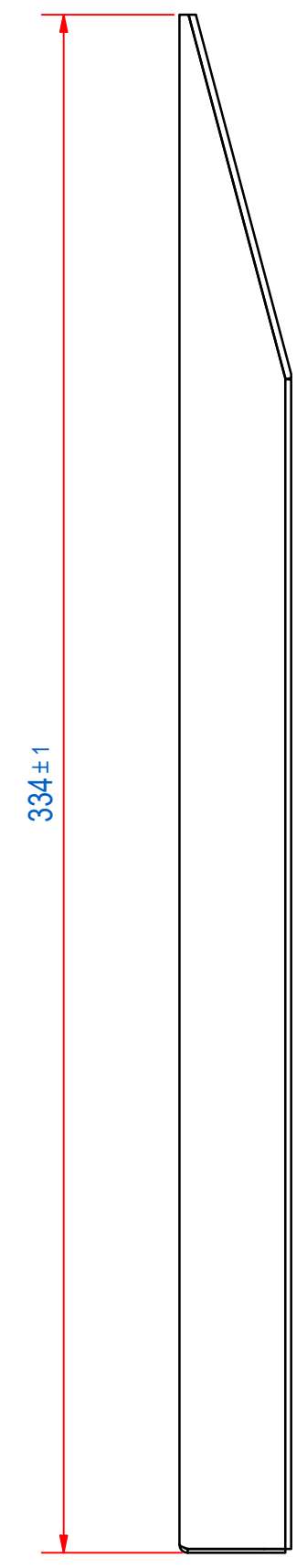
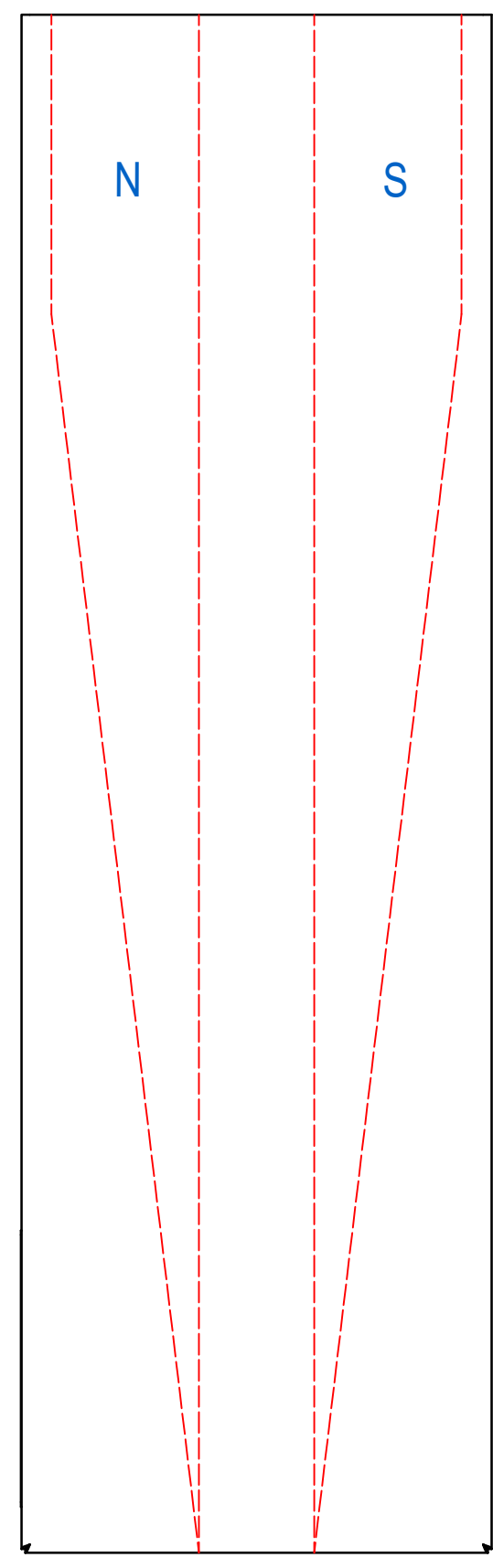



REV	DATE	BY	DESCRIPTION
-	23-6-2014	PB	NEW VAULT, NEW REVISION. NOTHING CHANGED. OLD REV WAS A
A	18-1-2023	DK	STICKER AND SOURCE CODE ADDED AND FILES DEMOTED



ITEM	QTY	PART NUMBER	DESCRIPTION	Dimensions
2	1	E0156615	HRA-TYPE PLATE STICKER	
1	1	E0157323	HRA-WELD ASSY	
RAW MAT.	Quantity	Material Number	Material Description	Length (mm) Width (mm)
	1			
Sheet: A2		Extra info: DECREASING FIELD		General tolerance: ISO 2768 - mK
Drawn: PB		Weight (kg): 2,5		Drawn according: ISO268; ISO1101; ISO2553
Date: 23-6-2014		Status: Standard		
Spare part: False		Source: MC-C		Customer reference number:
Quick search: TBBD03				Document number: TBBD033503 Doc.Rev: A
Description: HRA-F-102x24-BD-0335-B-B		Part number: TBBD033503		Rev: A