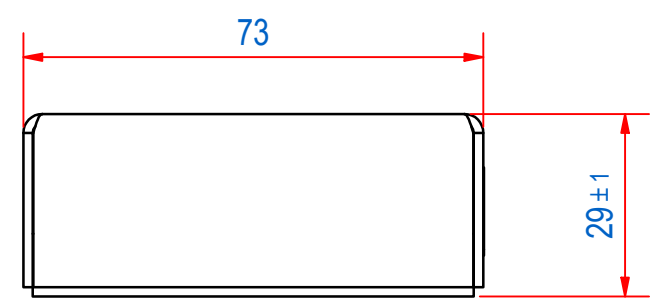
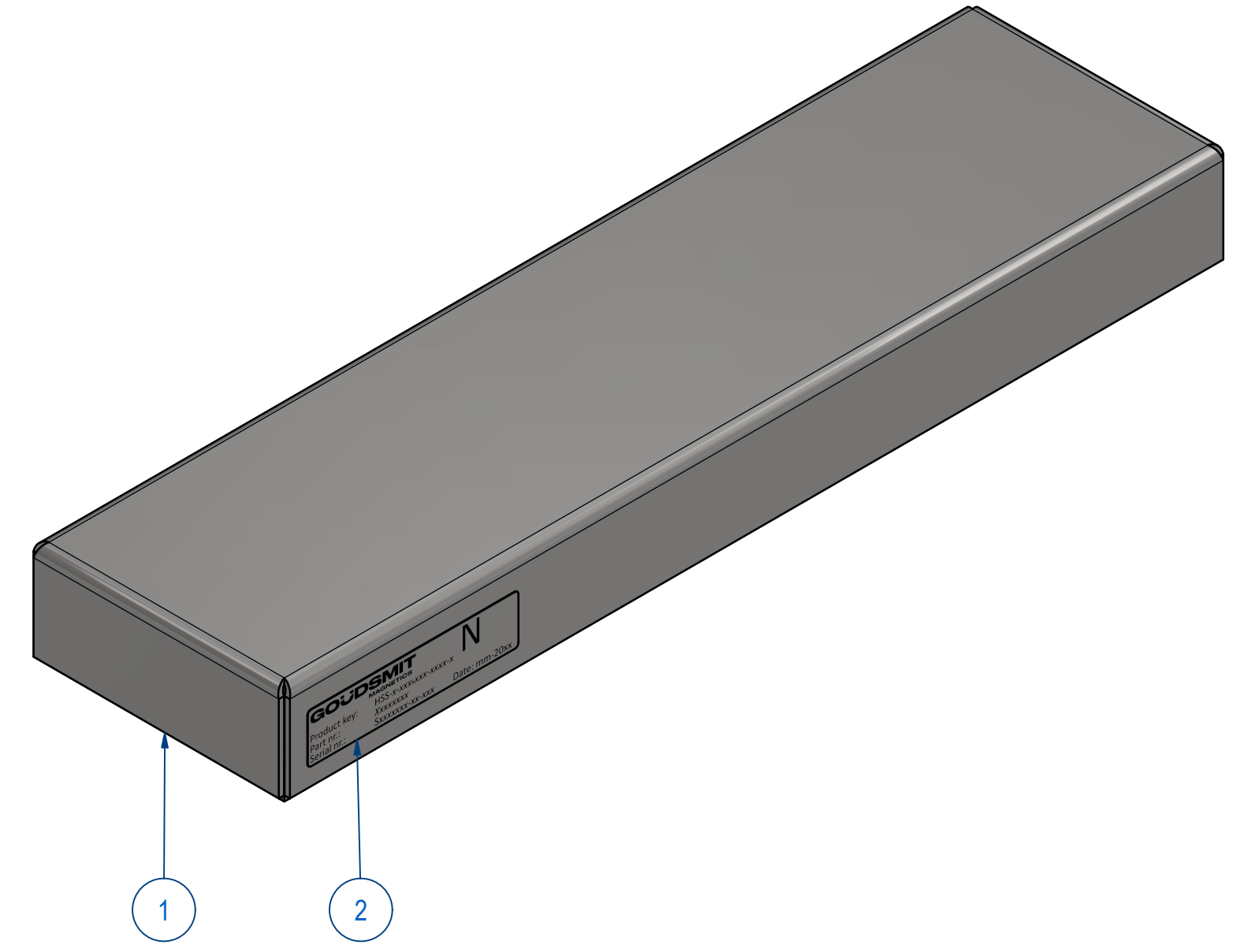
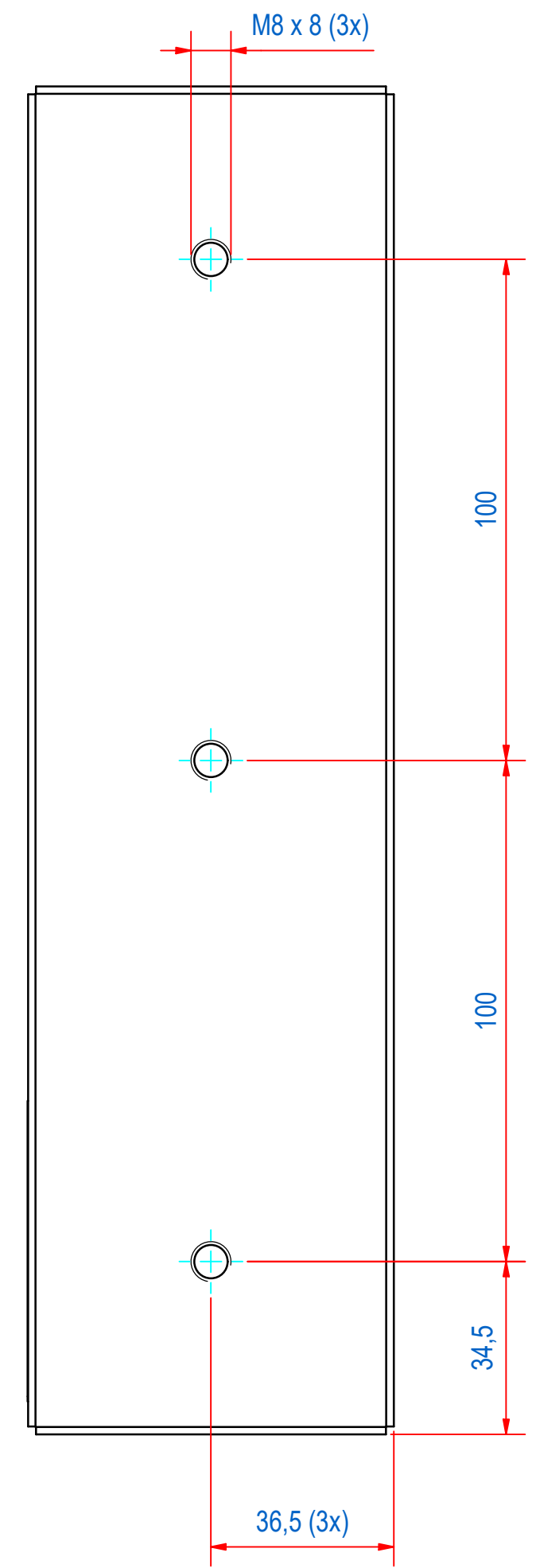
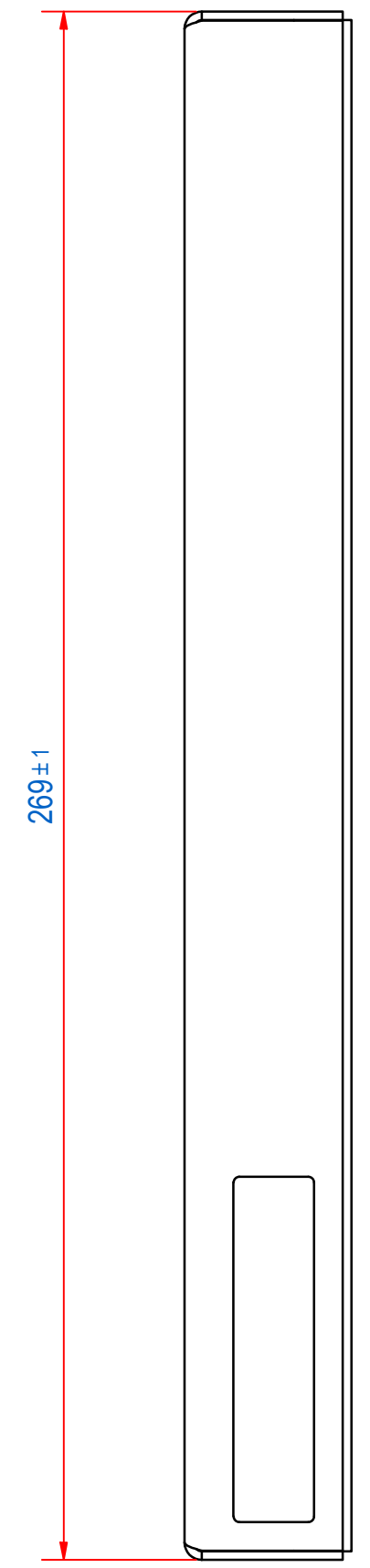
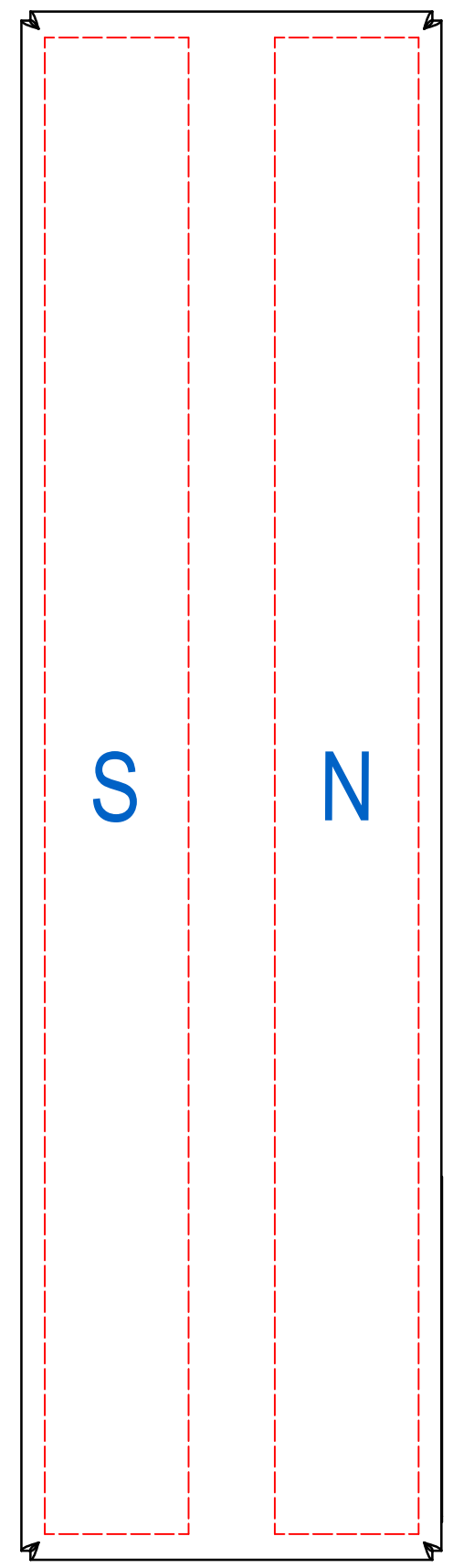


3	2	1		
DOC.NR.	REV	DATE	BY	DESCRIPTION
TBSP000270	-	10-6-2014	BS	NEW VAULT, NOTHING CHANGED, IS EQUAL TO OLD REVISION A
TBSP000270	A	9-6-2022	PB	WELD ASSY ADDED
TBSP000270	B	9-12-2022	LH	STICKER ADDED



ITEM	QTY	PART NUMBER	DESCRIPTION	Dimensions
2	1	E0156369	HSS-TYPE PLATE STICKER	
1	1	E0153128	HSS-WELD ASSY	
RAW MAT.	1			
Quantity	Material Number	Material Description	Length (mm)	Width (mm)
Sheet: A2	Extra info: SHEET SEPARATOR	General tolerance: ISO 2768- mK		
Drawn: PB	Weight (kg): 3,2	Drawn according: ISO268; ISO1101; ISO2553		
Date: 6-6-2014	Source: MC-C	Status: Standard		
Spare part: False	Quick search: TBSP00	Customer reference number:		
Description: HSS-F-BA-073x029-0270-B		Document number: TBSP000270	Doc.Rev: B	
		Part number: TBSP000270	Rev: B	