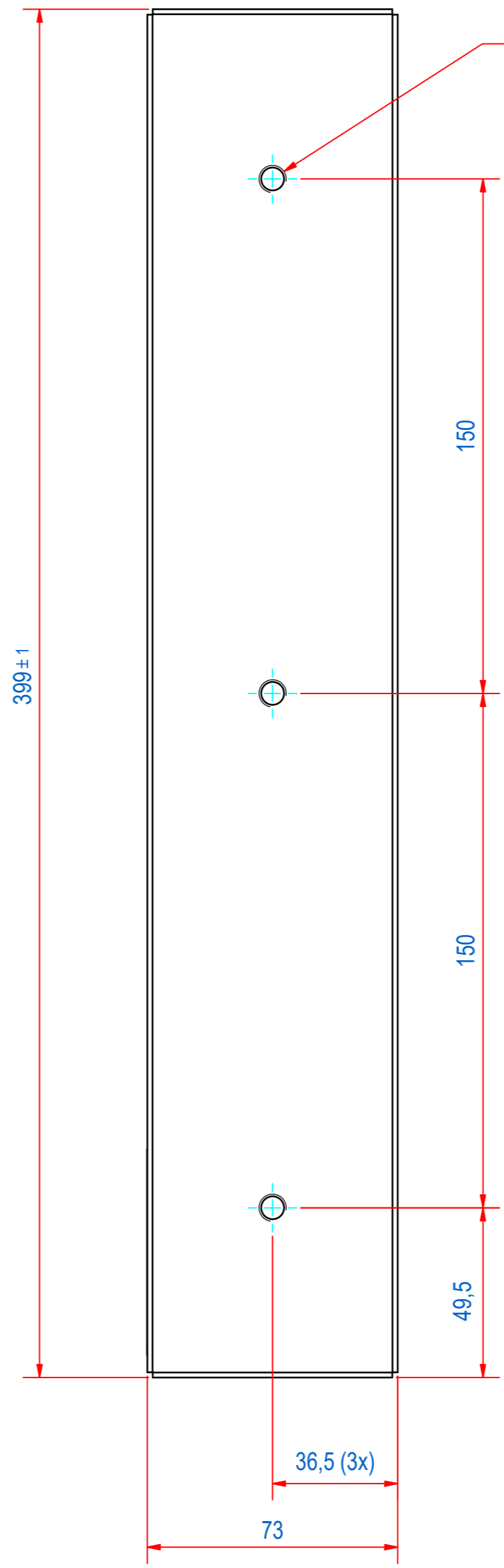
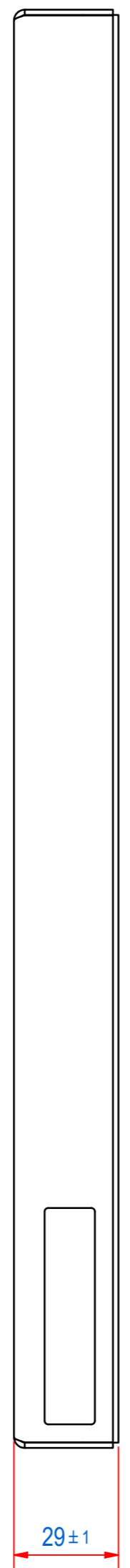
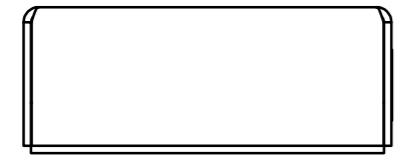
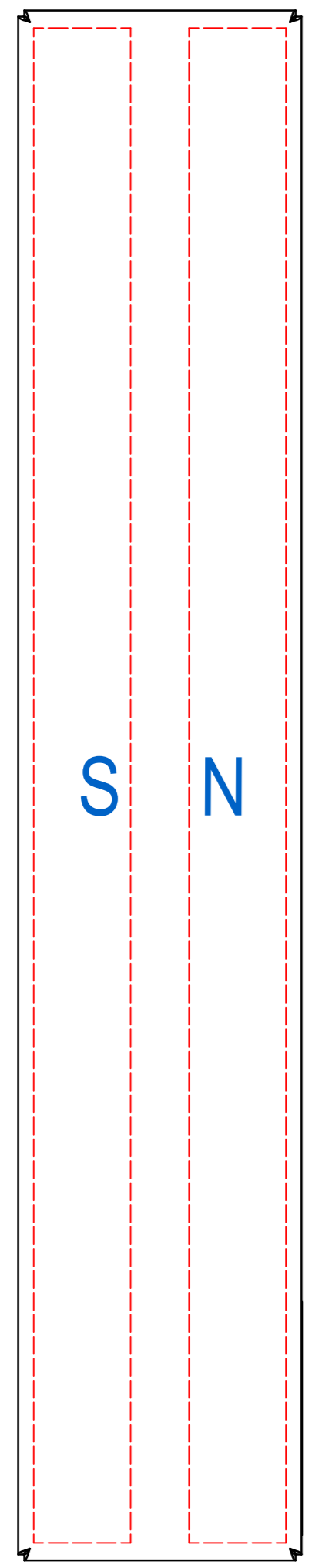
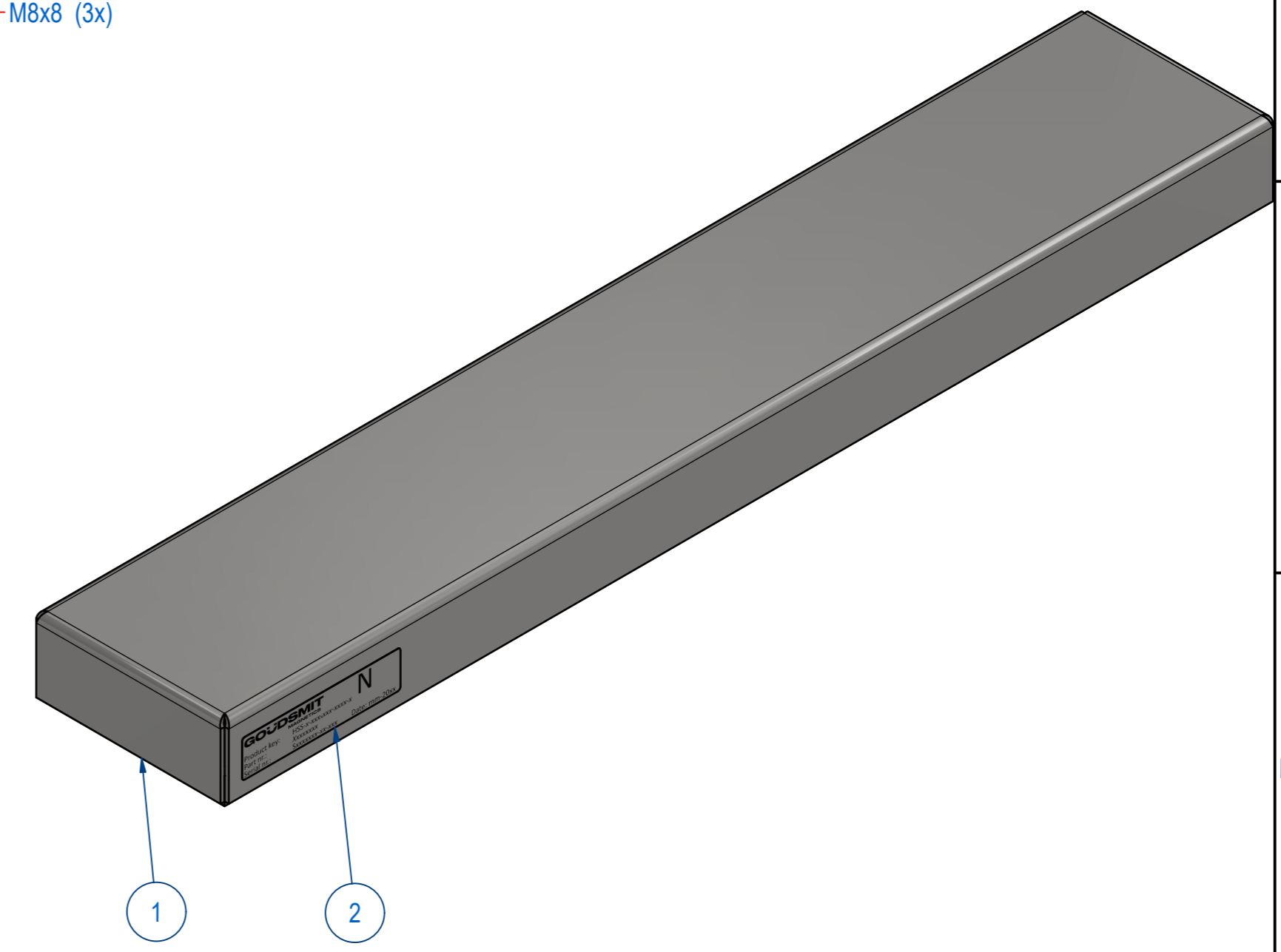


REV	DATE	BY	DESCRIPTION
-	27-11-2013	PB	NEW VAULT, NOTHING CHANGED, IS EQUAL TO OLD REVISION A
A	9-12-2022	LH	WELD ASSY DEMOTED, STICKER ADDED



M8x8 (3x)



ITEM	QTY	PART NUMBER	DESCRIPTION	Dimensions
2	1	E0156369	HSS-TYPE PLATE STICKER	
1	1	E0156512	HSS-WELD ASSY	
RAW MAT.	1			Length (mm) Width (mm)
Quantity		Material Number	Material Description	General tolerance: ISO 2768- mK
Sheet: A2		Extra info: SHEET SEPARATOR		Drawn according: ISO268; ISO1101; ISO2553
Drawn: PB		Weight (kg): 4,8		Status: Standard
Date: 27-11-2013		Spare part: False		Customer reference number:
Quick search: TBSP00				Document number: TBSP000400 Doc.Rev: A
Description: HSS-F-BA-073x029-0400-B		<small>© All rights reserved. Reproduction is not permitted without written permission of GOUDSMIT Magnetic Systems BV</small>		Part number: TBSP000400 Rev: A