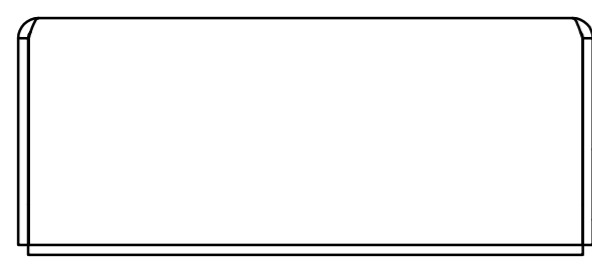
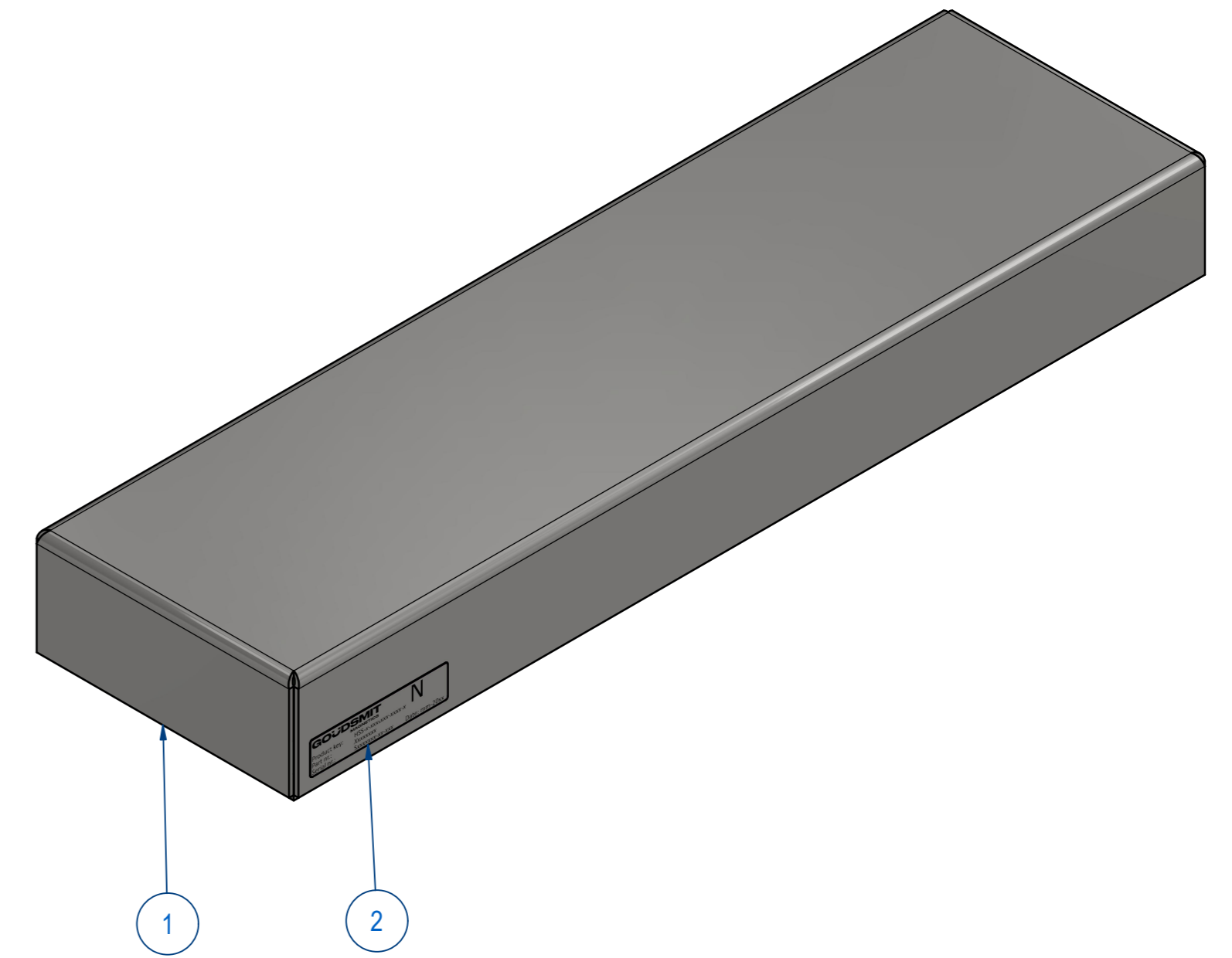
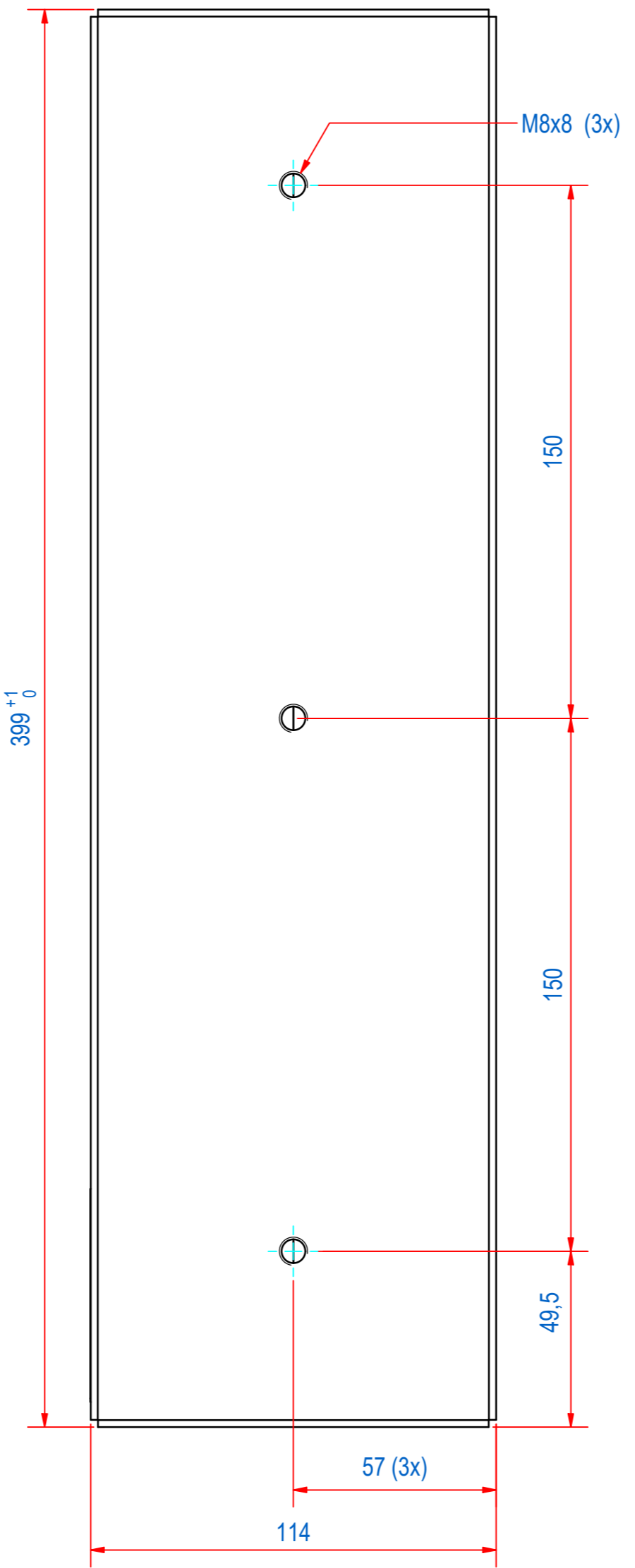
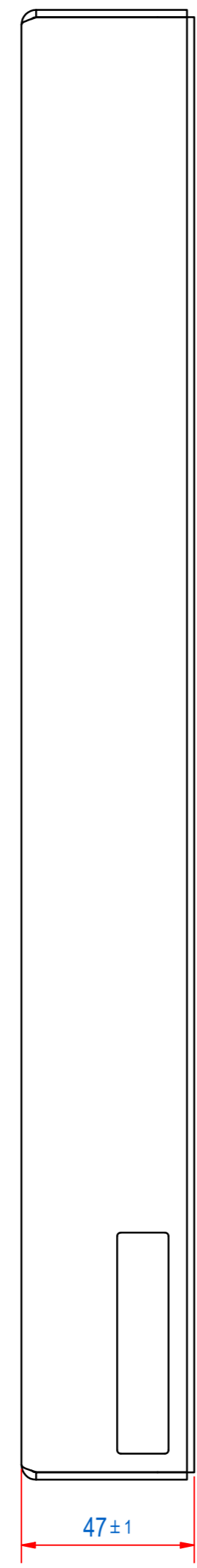
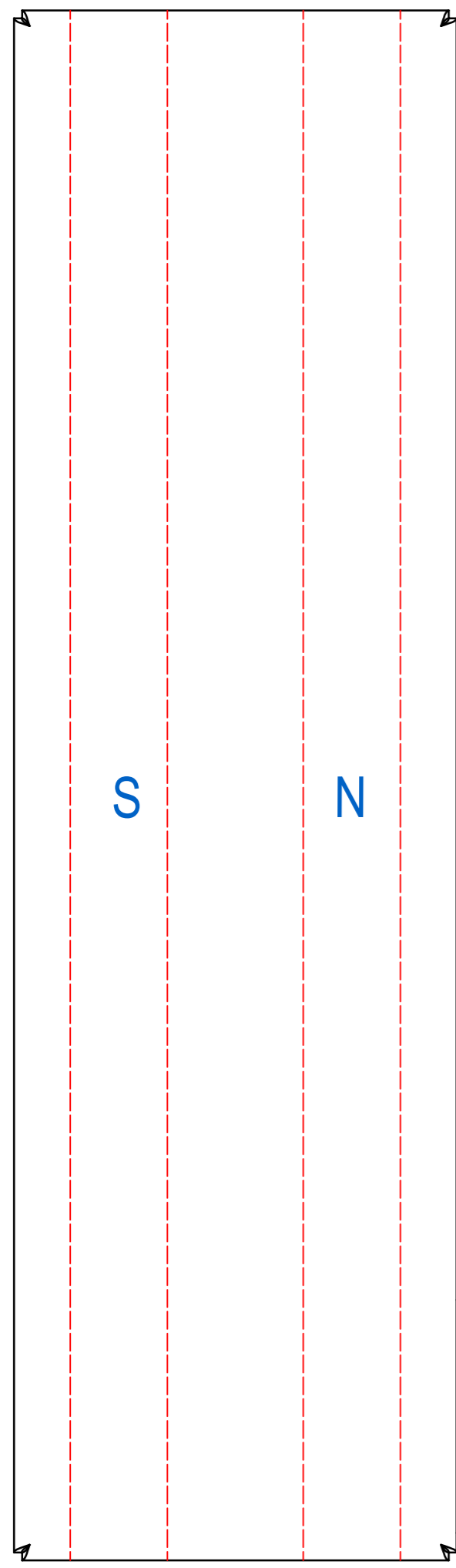


REV	DATE	BY	DESCRIPTION
-	5-6-2014	BS	NEW VAULT, NOTHING CHANGED. OLD REV WAS A
A	9-12-2022	LH	WELD ASSY DEMOTED, STICKER ADDED



ITEM	QTY	PART NUMBER	DESCRIPTION	Dimensions
2	1	E0156369	HSS-TYPE PLATE STICKER	
1	1	E0156515	HSS-WELD ASSY	
RAW MAT.	1			
Quantity		Material Number	Material Description	Length (mm) Width (mm)
Sheet:	A2	Extra info:	SHEET SEPARATOR	
Drawn:	PB	Weight (kg):	9,3	
Date:	5-6-2014	General tolerance:	ISO 2768- mK	
Spare part:	False	Source:	MC-C	
Quick search:	TBSP02	Status:	Standard	
Description:	HSS-F-BA-114x047-0400-B		Customer reference number:	
		Document number:	TBSP020400	Doc.Rev: A
		Part number:	TBSP020400	Rev: A



© All rights reserved. Reproduction is not permitted without written permission of GOUDSMIT Magnetic Systems BV