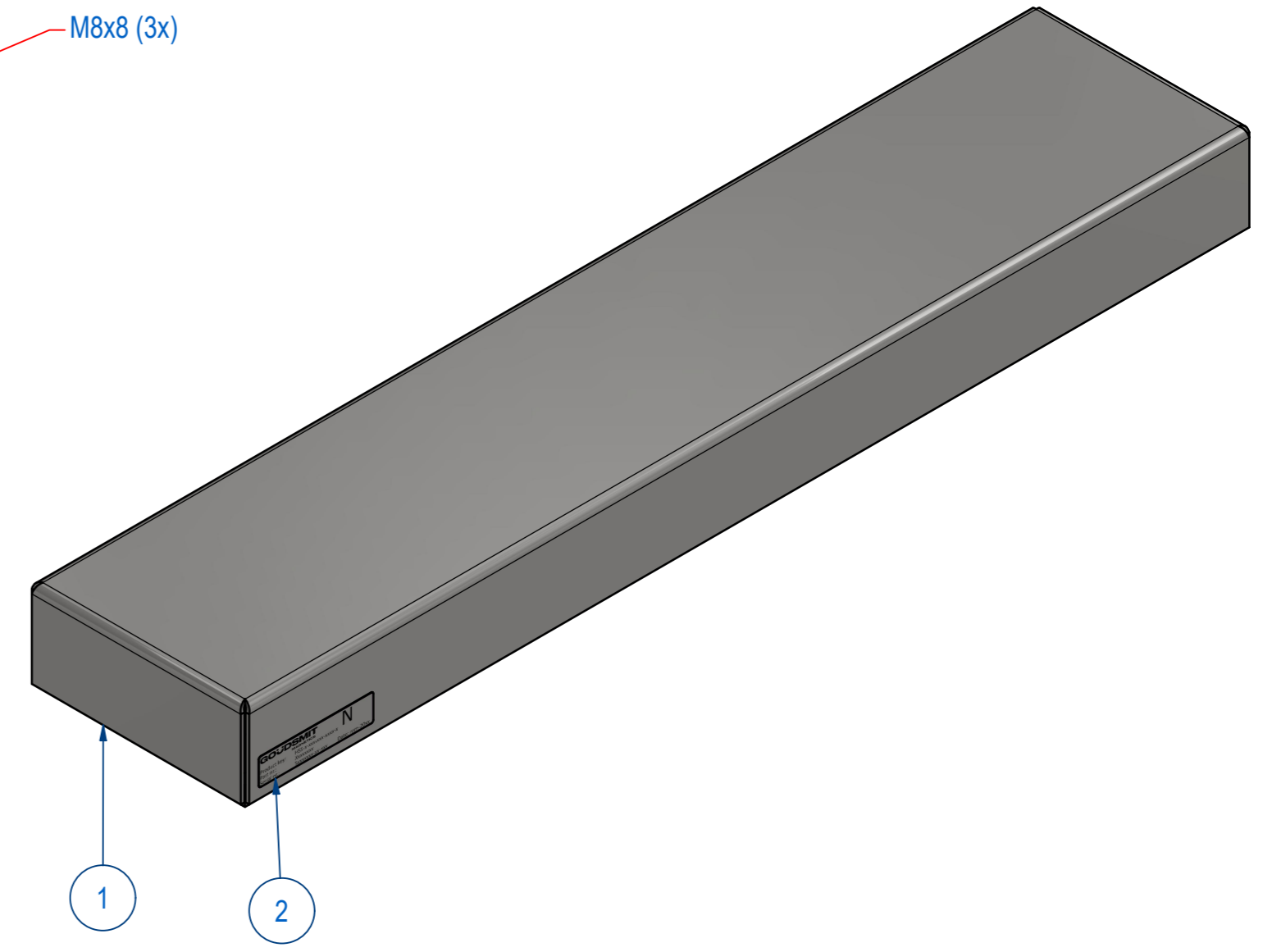
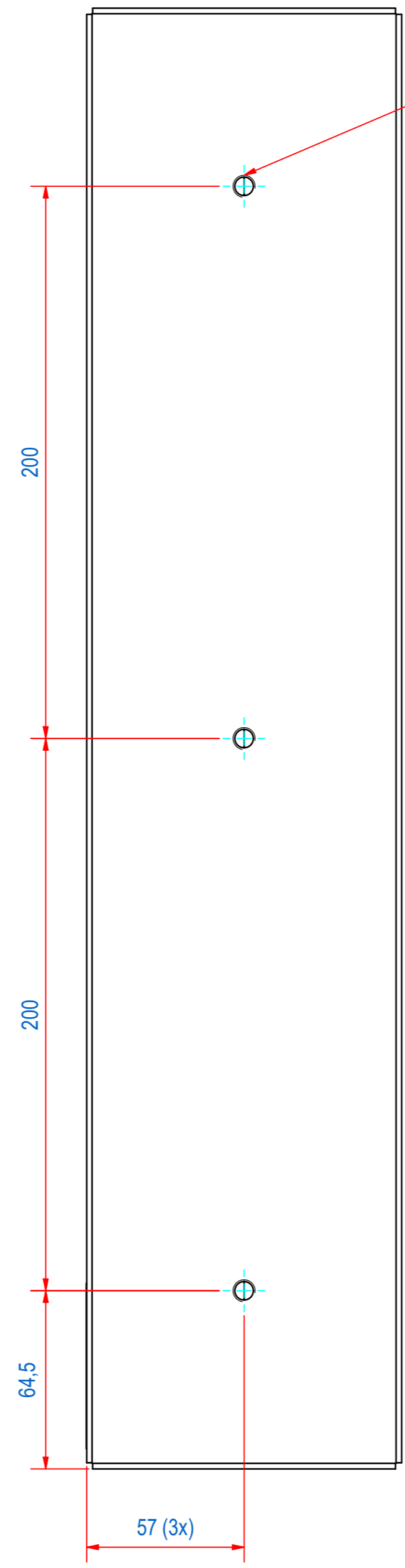
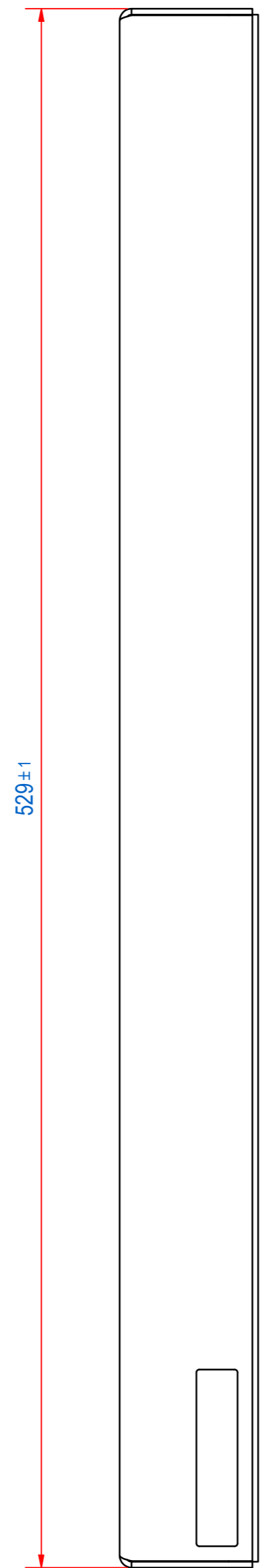
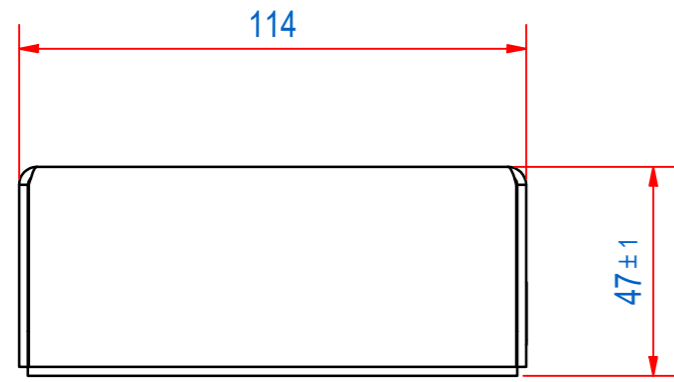
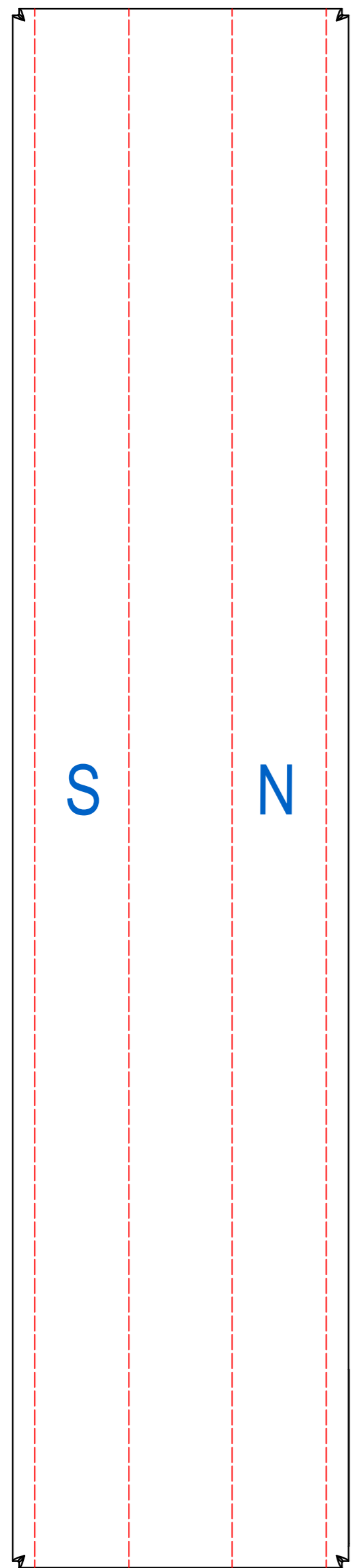


REV	DATE	BY	DESCRIPTION
-	7-11-2013	PB	NEW REVISION, NEW VAULT. NOTHING CHANGED. OLD REV WAS A
A	9-12-2022	LH	WELD ASSY DEMOTED, STICKER ADDED



ITEM	QTY	PART NUMBER	DESCRIPTION	Dimensions
2	1	E0156369	HSS-TYPE PLATE STICKER	
1	1	E0156516	HSS-WELD ASSY	
RAW MAT.	1			Length (mm) Width (mm)

Sheet: A2	Extra info: SHEET SEPARATOR	General tolerance: ISO 2768- mK
Drawn: PB	Weight (kg): 14	Drawn according: ISO268; ISO1101; ISO2553
Date: 7-11-2013	Source: MC-C	Status: Standard
Spare part: False	Quick search: TBSP02	Customer reference number:
Description: HSS-F-BA-114x047-0530-B		Document number: TBSP020530 Doc.Rev: A
		Part number: TBSP020530 Rev: A