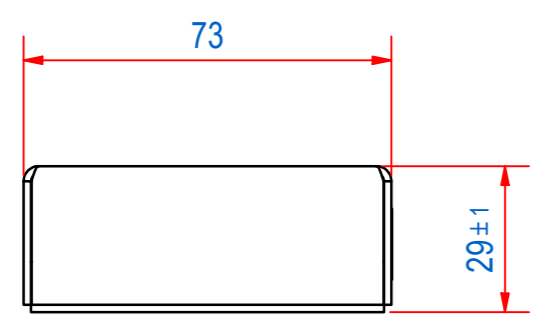
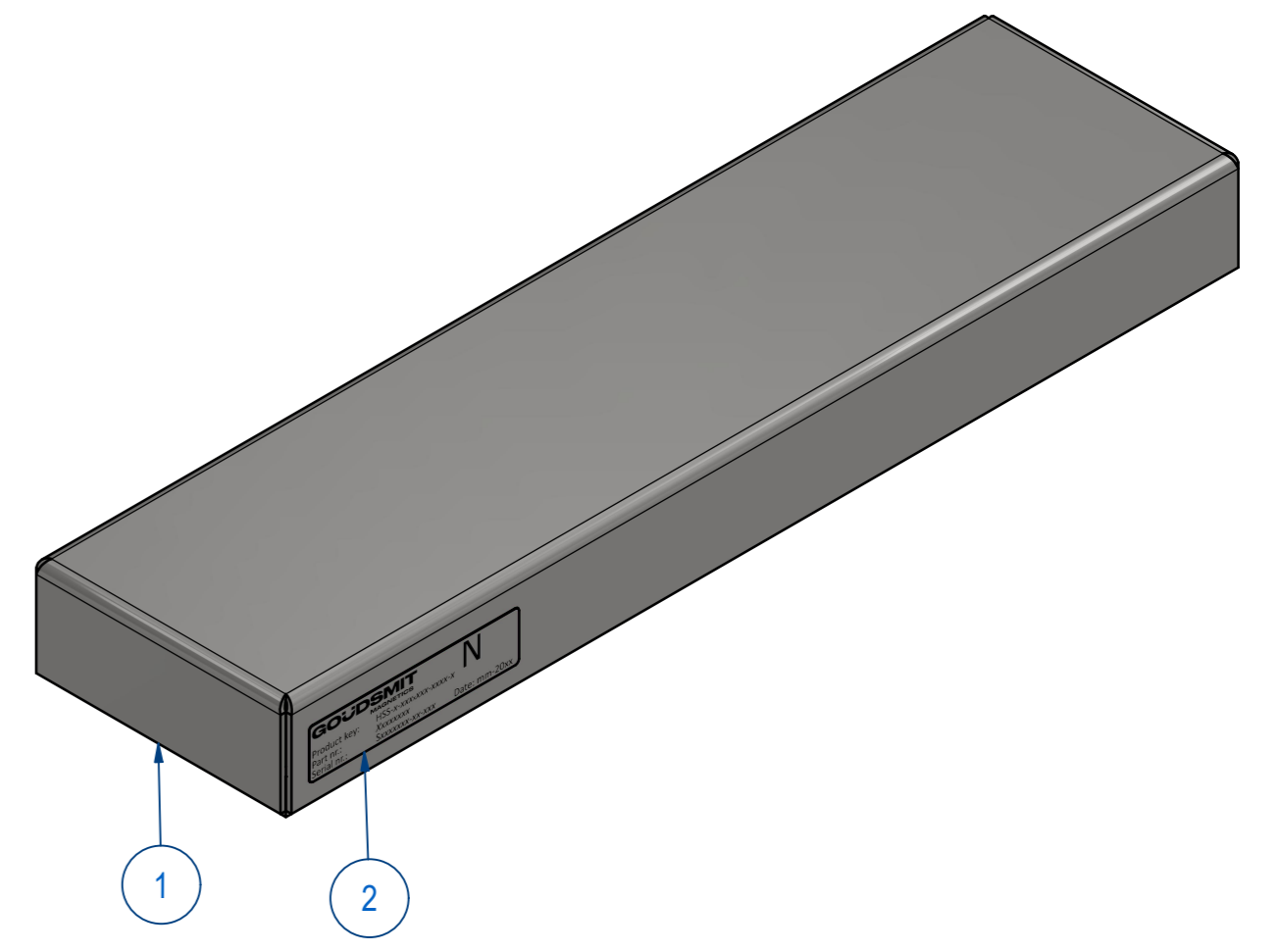
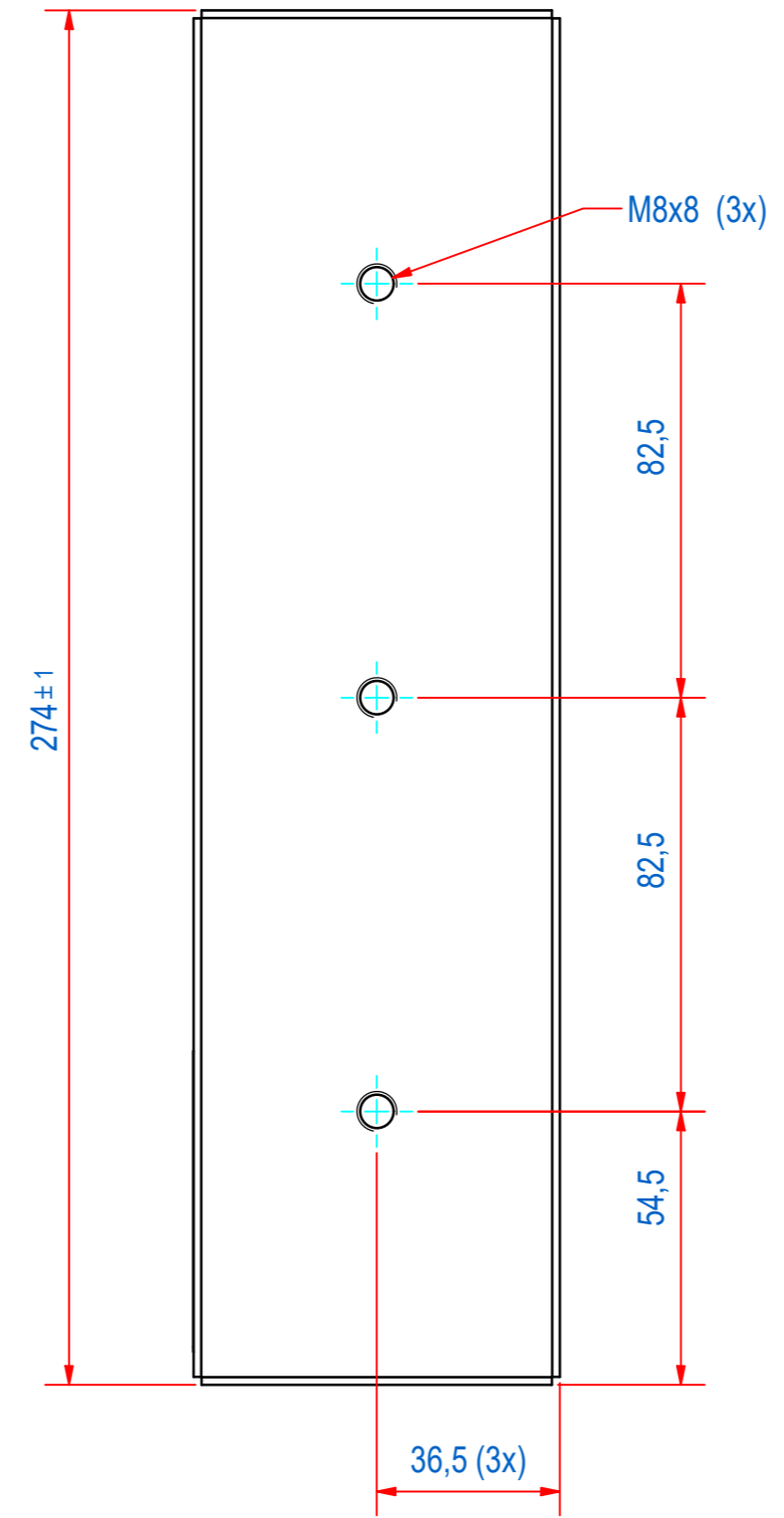
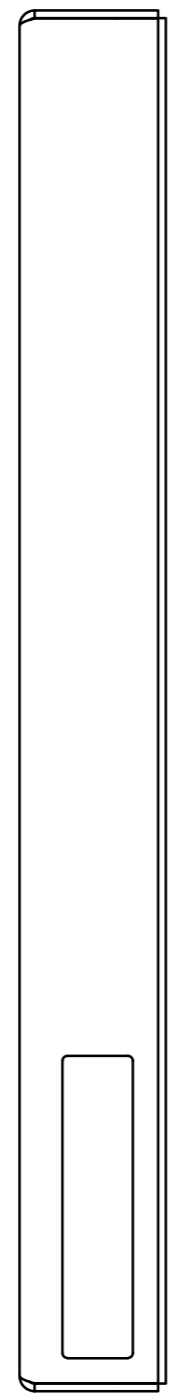
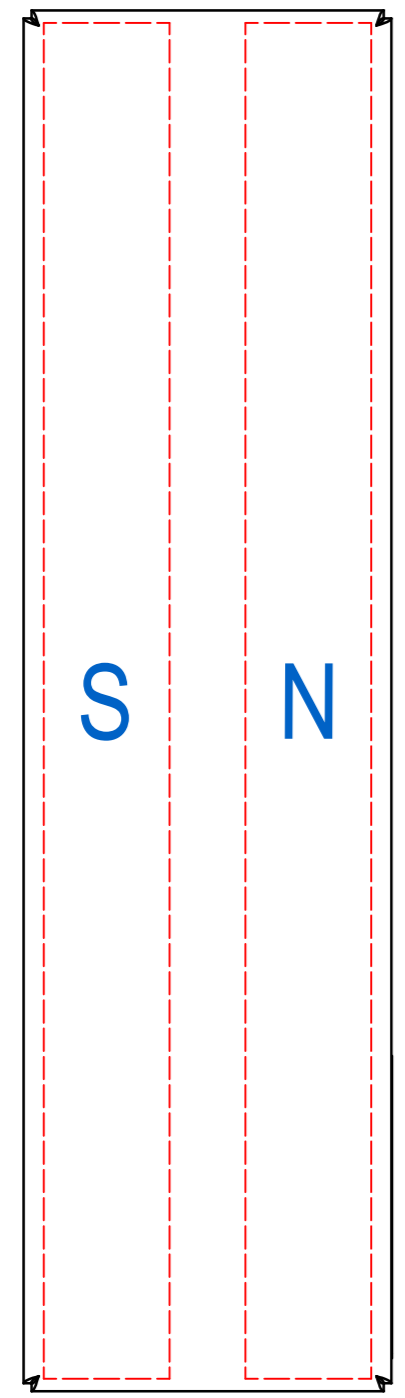


REV	DATE	BY	DESCRIPTION
-	13-6-2014	BS	NEW VAULT, NOTHING CHANGED, IS EQUAL TO OLD REVISION D
A	9-12-2022	LH	WELD ASSY DEMOTED, STICKER ADDED



ITEM	QTY	PART NUMBER	DESCRIPTION	Dimensions
2	1	E0156369	HSS-TYPE PLATE STICKER	
1	1	E0156511	HSS-WELD ASSY	
RAW MAT.	Quantity	Material Number	Material Description	Length (mm) Width (mm)
	1			
Sheet: A2		Extra info: SHEET SEPARATOR		General tolerance: ISO 2768- mK
Drawn: PB		Weight (kg): 3,3		Drawn according: ISO268; ISO1101; ISO2553
Date: 13-6-2014		Source: MC-C		Status: Standard
Spare part: False		Quick search: TBSP00		Customer reference number:
Description: HSS-F-BA-073x029-0275-B		Part number: TBSP027500		Doc.Rev: A
				Rev: A