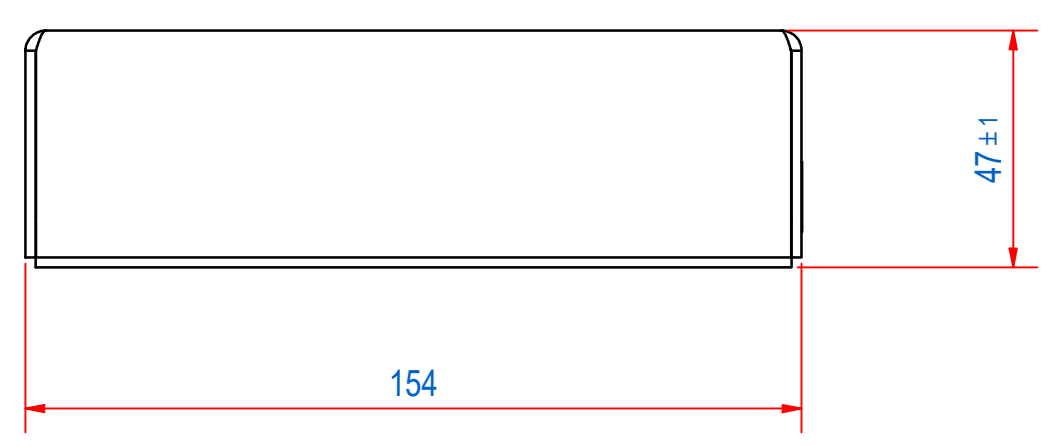
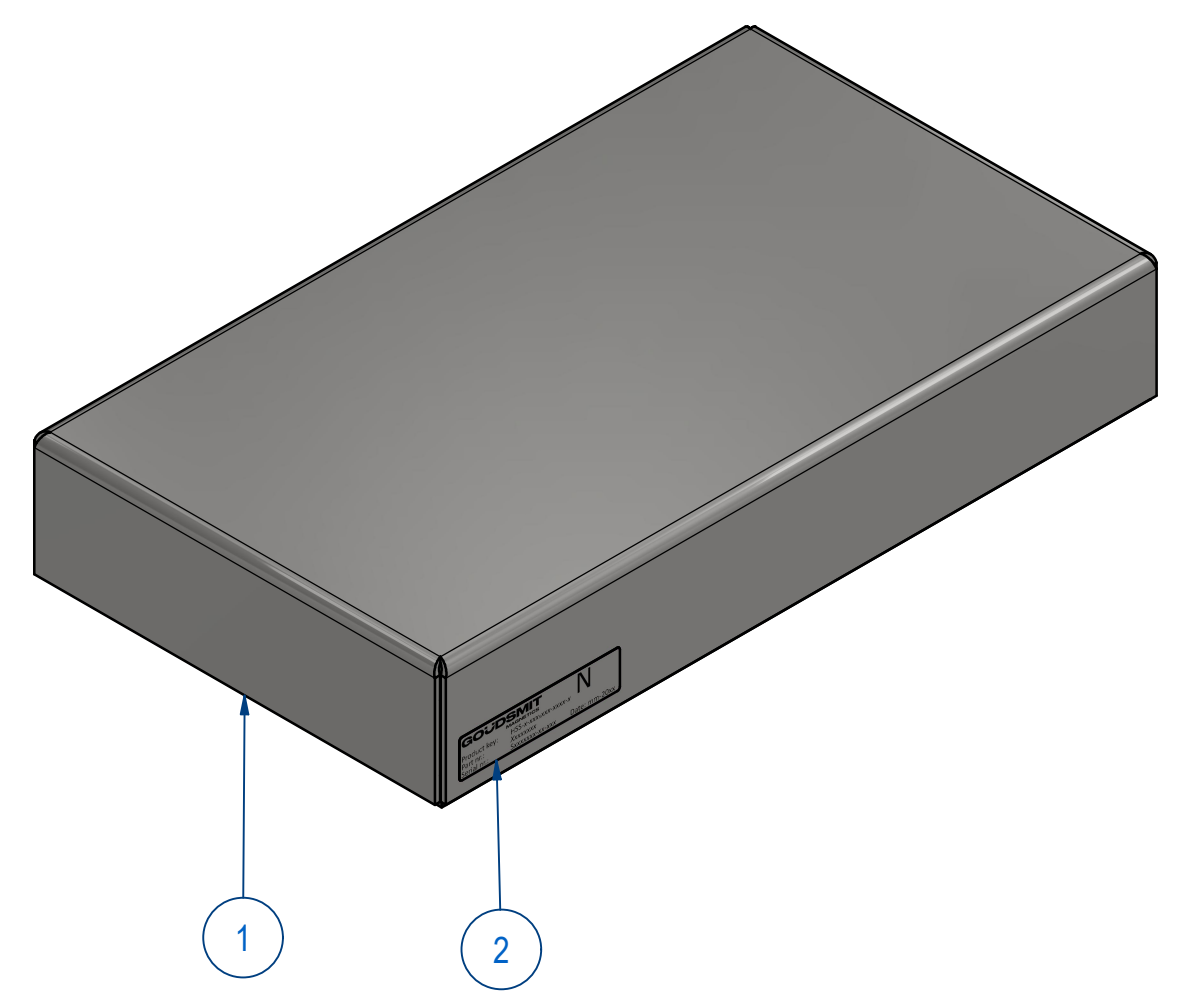
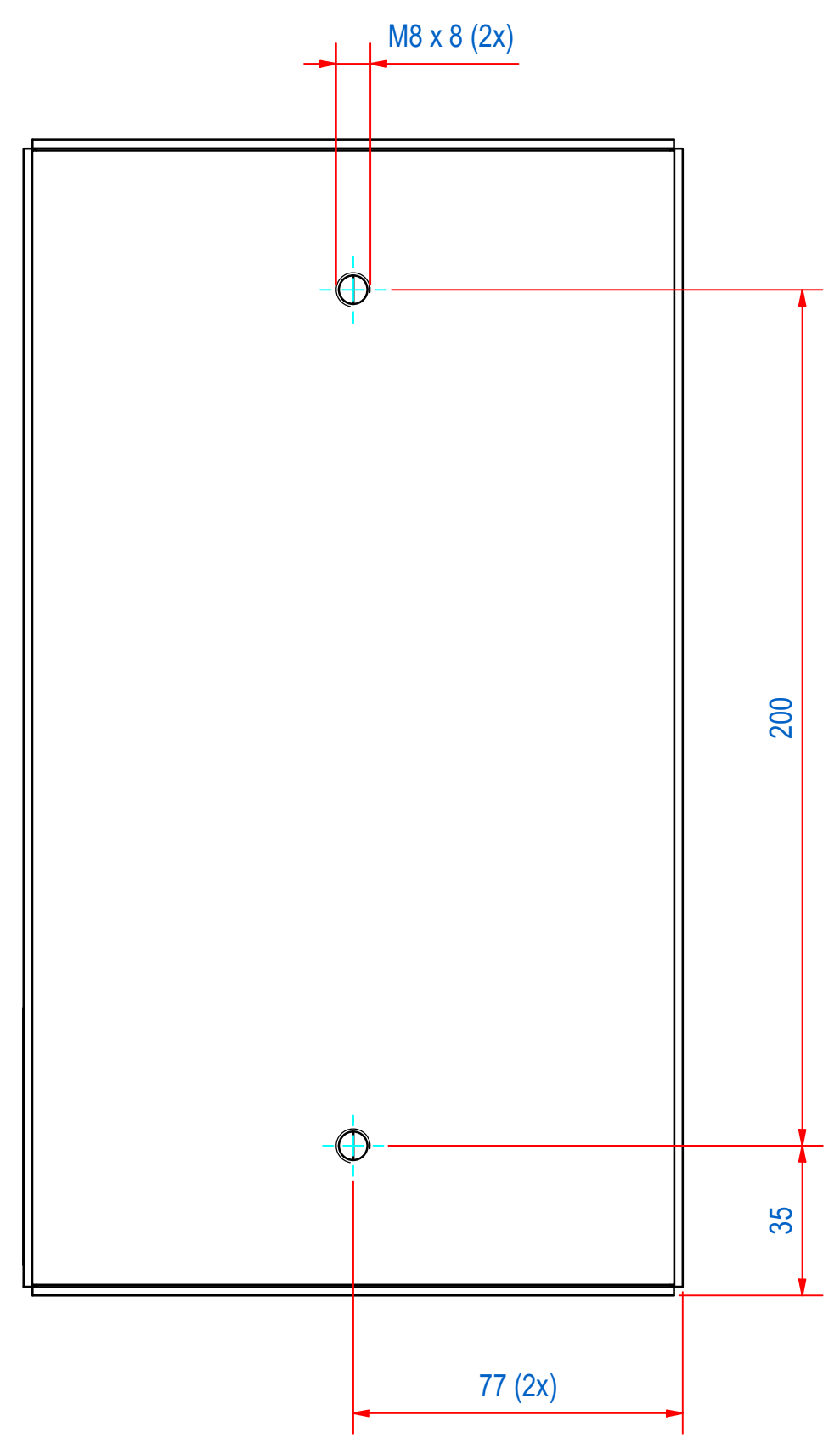
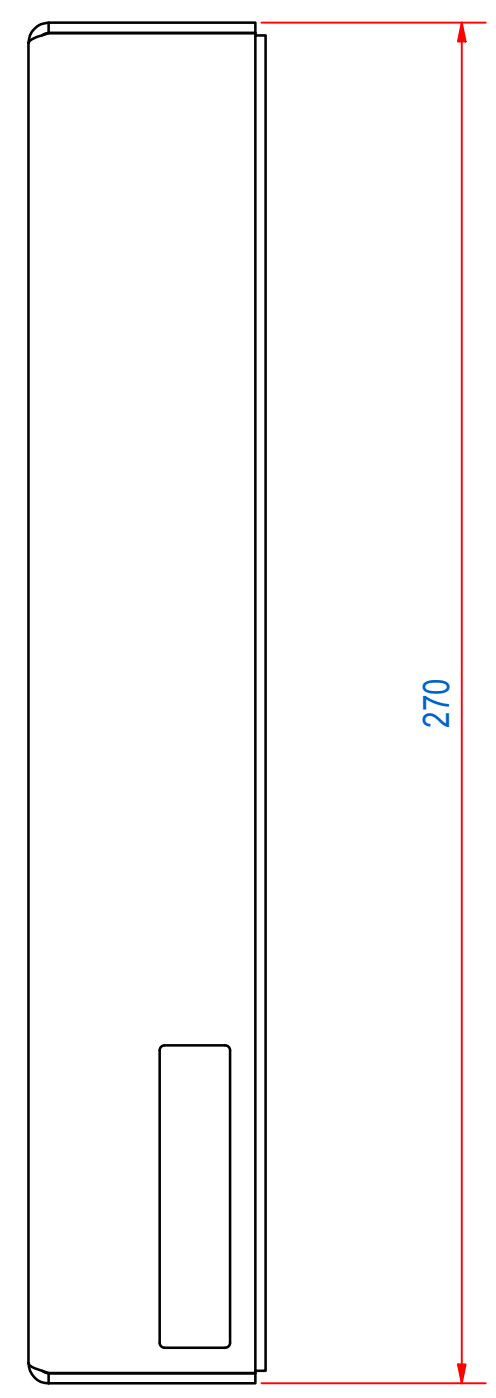
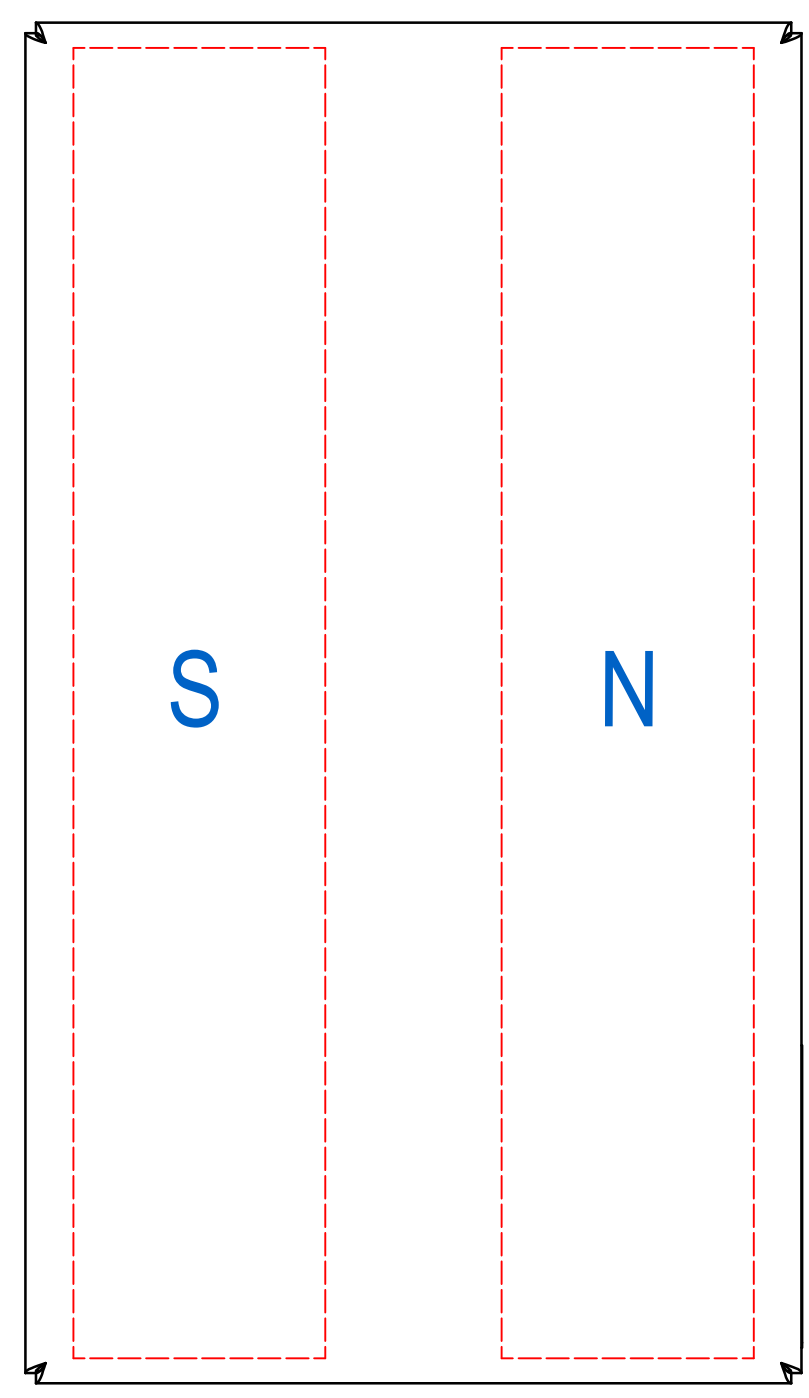


REV	DATE	BY	DESCRIPTION
-	27-9-2013	BS	NOTHING CHANGED, OLD REVISION A
A	9-12-2022	LH	WELD ASSY DEMOTED, STICKER ADDED



ITEM	QTY	PART NUMBER	DESCRIPTION	Dimensions
2	1	E0156369	HSS-TYPE PLATE STICKER	
1	1	E0156518	HSS-WELD ASSY	
RAW MAT.	1			
Quantity		Material Number	Material Description	Length (mm) Width (mm)
Sheet: A2		Extra info: SHEET SEPARATOR		General tolerance: ISO 2768- mK
Drawn: AJA	Weight (kg): 10,0			Drawn according: ISO268; ISO1101; ISO2553
Date: 14-6-2004			Status: Standard	
Spare part: False	Source: MC-C	Customer reference number:		
Quick search: TBSP03	© All rights reserved. Reproduction is not permitted without written permission of GOUDSMIT Magnetic Systems BV		Document number: TBSP030270	Doc.Rev: A
Description: HSS-F-BA-154x047-0270-B			Part number: TBSP030270	Rev: A

