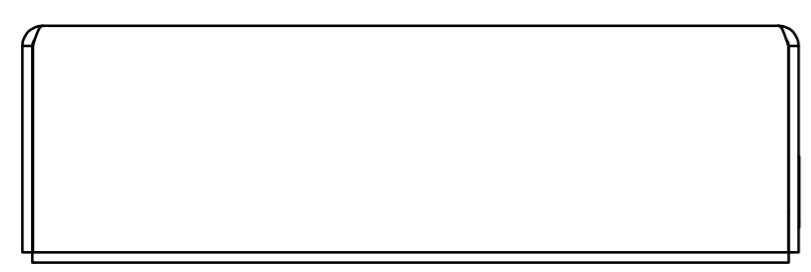
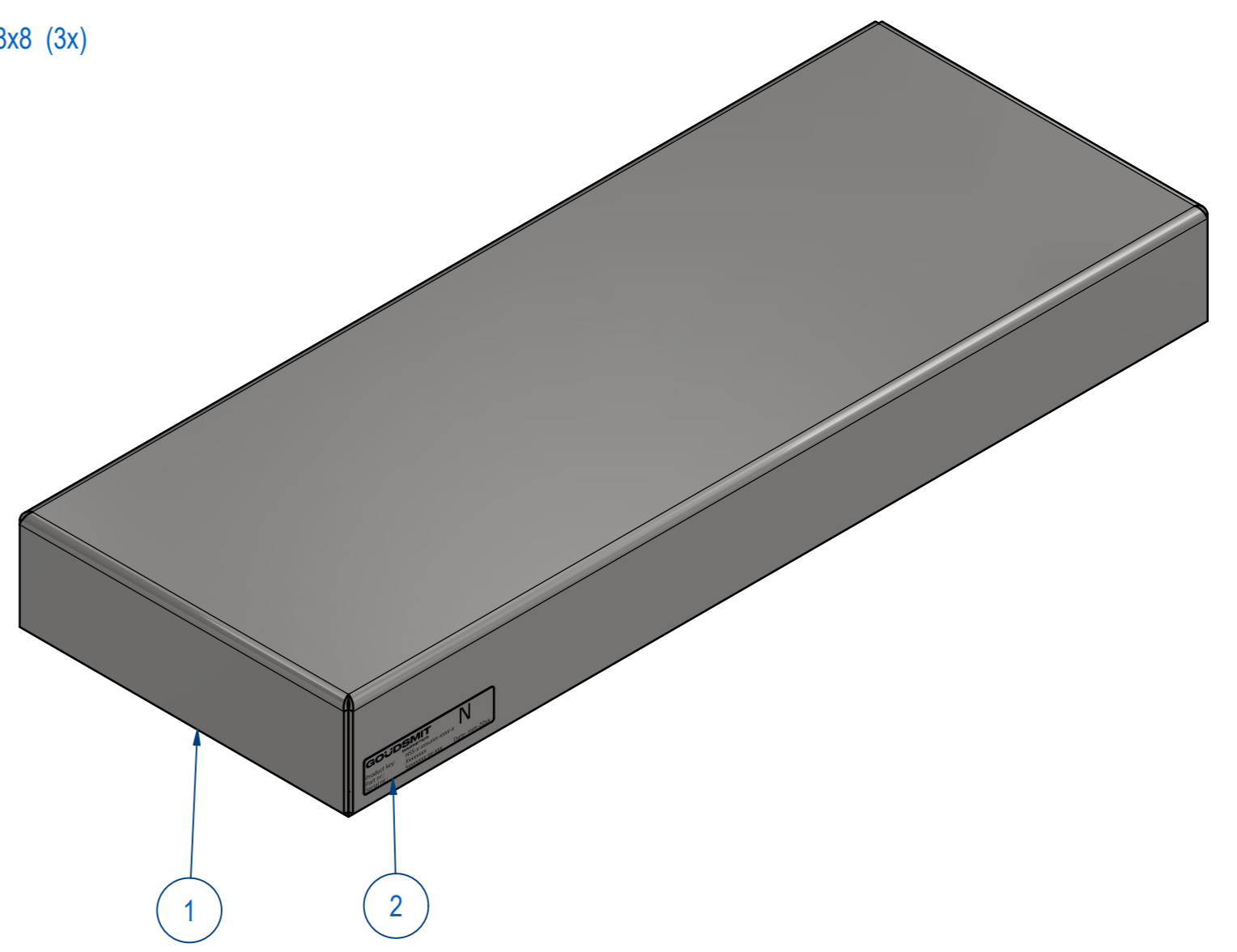
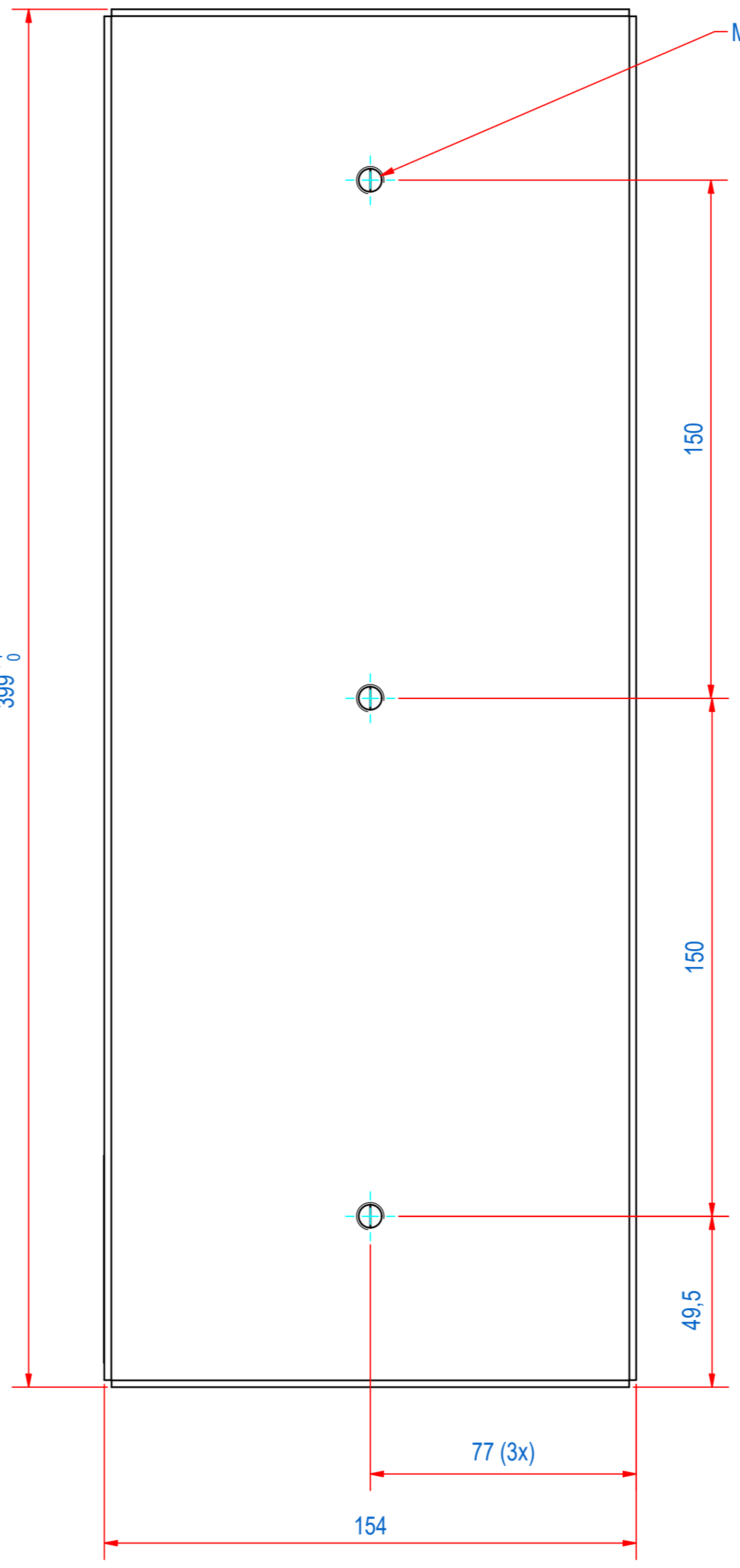
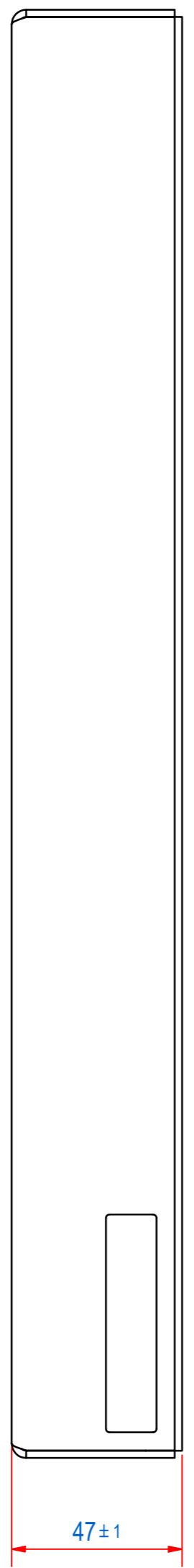
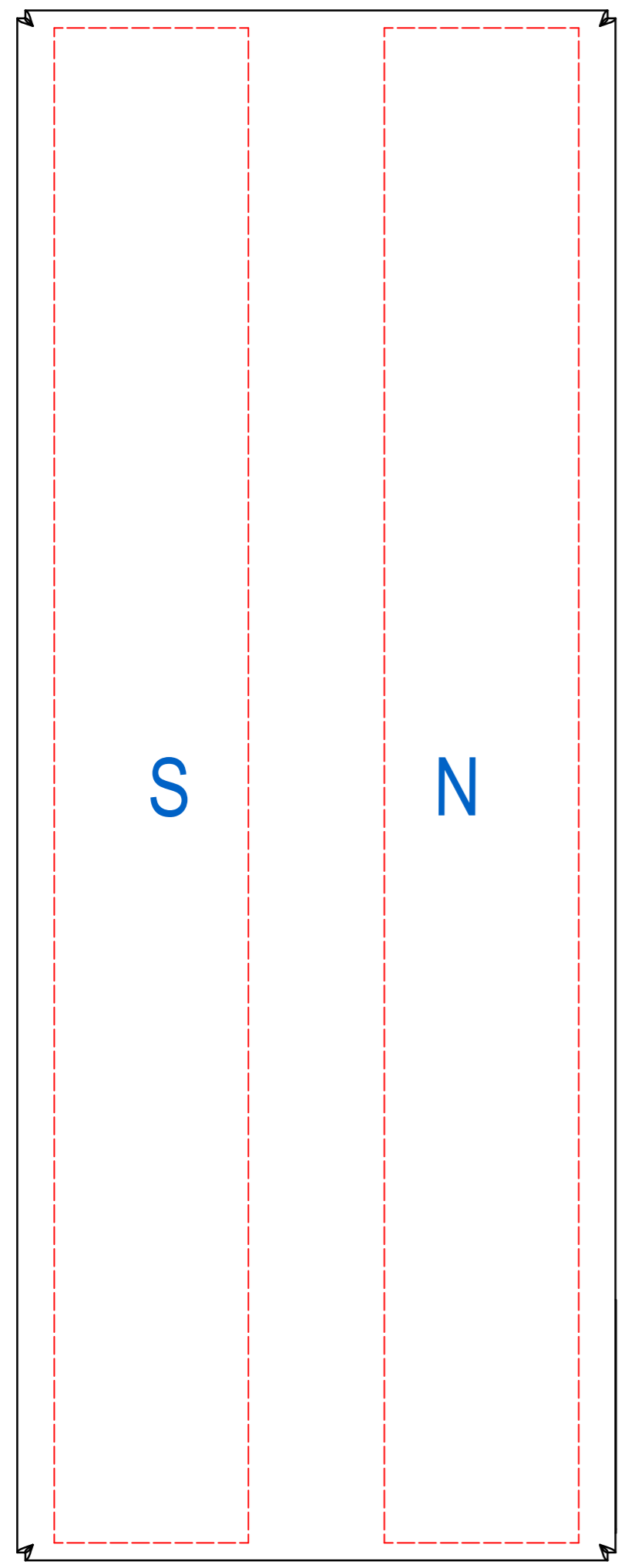


REV	DATE	BY	DESCRIPTION
-	8-3-2013	PB	NEW VAULT, NOTHING CHANGED. OLD REV WAS B
A	9-12-2022	LH	WELD ASSY DEMOTED, STICKER ADDED



ITEM	QTY	PART NUMBER	DESCRIPTION	Dimensions
2	1	E0156369	HSS-TYPE PLATE STICKER	
1	1	E0156519	HSS-WELD ASSY	
RAW MAT.	1			
Quantity	Material Number	Material Description	Length (mm)	Width (mm)
Sheet: A2	Extra info: SHEET SEPARATOR	General tolerance: ISO 2768- mK		
Drawn: PB	Weight (kg): 15	Drawn according: ISO268; ISO1101; ISO2553		
Date: 8-3-2013	Source: MC-C	Status: Standard		
Spare part: False	Quick search: TBSP03	Customer reference number:	Document number: TBSP030400	Doc.Rev: A
Description: HSS-F-BA-154x047-0400-B		Part number: TBSP030400	Rev: A	

